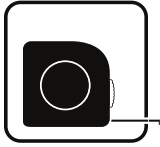


Installation Instructions

Fascia for Dual Roller 24V & Battery FlexShade

DRAPER

Tools Required:



Tape Measure



Pencil



Power Drill



Fastening Hardware
(By others)

Mounting Endcaps

- 1 Snap endcap covers onto endcaps.
The proper orientation of **Left-Hand, Right-Hand, Front and Back** is molded into endcap covers (see Fig. 1).
- 2 Mark wall, jamb or ceiling for placement of mounting endcaps.

Caution: Before mounting shades, verify measurements on the card provided with the shade, and ensure the endcaps are installed at the correct width.

- 3 Drill small starter hole (if necessary) in mounting surface.

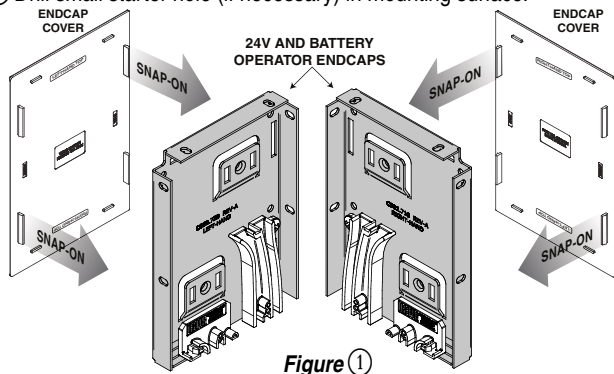


Figure 1

- 4 Mount endcaps using appropriate fasteners for surface.

NOTE:

The installer is responsible for selecting appropriate mounting hardware for site conditions.

NOTE:

It is essential that endcaps are fastened securely to the mounting surface and are not able to move from side to side.

For 24V Motors

- 5 Place rear shade spring-loaded pin in idler endcap.
- 6 Depress spring-loaded pin by pressing the shade roller toward the endcap.
- 7 Slip operator end of rear shade into slots on operator end endcap (See Fig. 3).
- 8 Repeat with front shade.

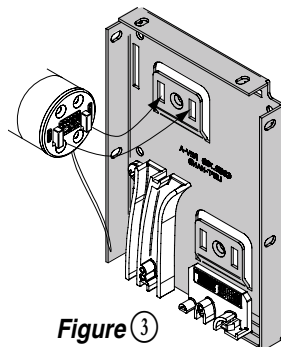


Figure 3

Caution

- 1 Inspect all boxes to make sure you have received the proper shades and parts. Controls may be shipped separately, or in same carton as shades.
- 2 Open cartons lengthwise.
- 3 Before connecting switches, controls, or electrical, make sure power is off. Wiring indicated in diagram by dashed lines **must be completed by an electrician.**
- 4 Do not wire motors in parallel without written permission from Draper.
- 5 It is the installer's responsibility to make sure appropriate fasteners are used for mounting surface.
- 6 All endcaps, fascia, pocket headbox and other hardware must be installed level. Shades must be level and square.
- 7 **Please read the following installation guidelines thoroughly and follow them carefully. Failure to do so may cause product to fall or otherwise fail, and invalidates warranty.**

For Battery-Powered Motors

- 5 Mount **Battery Wands** to wall using provided **Mounting Clips** (see Fig. 2). Be sure to locate the **battery wands** where they can reach the motor without interfering with shade/roller operation.

Please Note:

If mounting the battery wands vertically, small plastic grips are provided to slide onto the battery pack and create a snugger fit in the bracket.

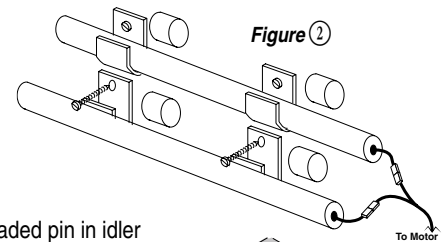


Figure 2

- 6 Place rear shade spring-loaded pin in idler endcap, depress spring-loaded pin by pressing the shade roller toward the endcap and slip operator end of rear shade into slots on operator endcap (see Fig. 3).

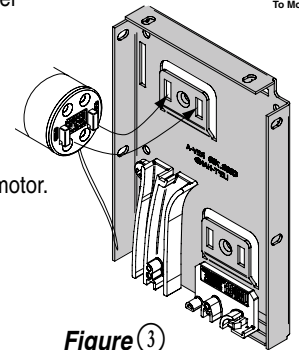
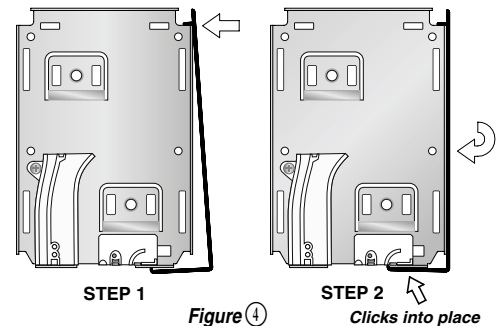


Figure 3

- 7 Connect battery packs together, and to motor.
- 8 Repeat with front shade.

Installing Fascia

- 9 Place groove along top of fascia over end caps, and snap into place (Fig.4).



STEP 1

Figure 4

STEP 2

Clicks into place

Fascia is not fully seated until it clicks into place on both ends. Once in place, check for secure fit. If need secure with appropriate fastener (not included).

DRAPER

411 S. Pearl St., Spiceland, IN 47385 USA ■ 765-987-7999
www.draperinc.com ■ fax 765-987-7142

Copyright © 2016 Draper Inc. Form Fascia_Battery_24V_DualRoller_Inst16 Printed in U.S.A.

Continued

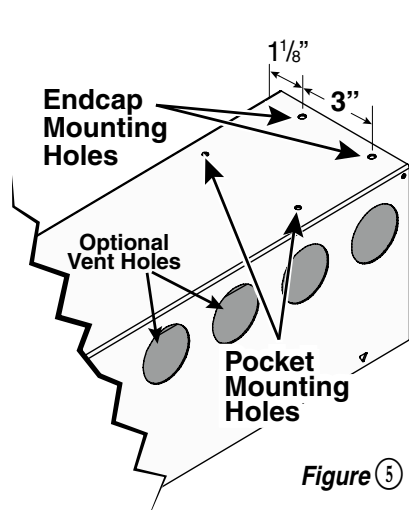
If you encounter any difficulties installing or servicing your Fascia for Dual Roller FlexShade System, call your dealer or Draper, Inc., Spiceland, Ind., (765) 987-7999 or fax (765) 987-7142.

Pocket Headbox Installation

The Dual Roller FlexShade can also be installed in a pocket in the ceiling. You must provide adequate clearance for removal of the Roller Assembly during installation and maintenance.

The Pocket Headbox for the Dual Roller FlexShade must be mounted directly to the ceiling, or to a continuous blocking that has been secured to the building structure (see Fig. 5 below).

① Lift the headbox into mounting position. Mark the location of the pre-drilled pocket mounting holes and the Endcap mounting holes on the top side of the headbox (Fig. 6) on the ceiling or continuous blocking.



② Drill small starter hole (if necessary) in mounting surface.

③ Mount pocket headbox using appropriate fasteners for surface.

NOTE:
The installer is responsible for selecting appropriate mounting hardware for site conditions.

④ Mount endcaps using appropriate fasteners for surface. Refer to "Mounting Endcaps" section, steps ② through ⑧ beginning on page 1.

Figure ⑤

NOTE: It is essential that endcaps are fastened securely to the mounting surface and are not able to move from side to side.

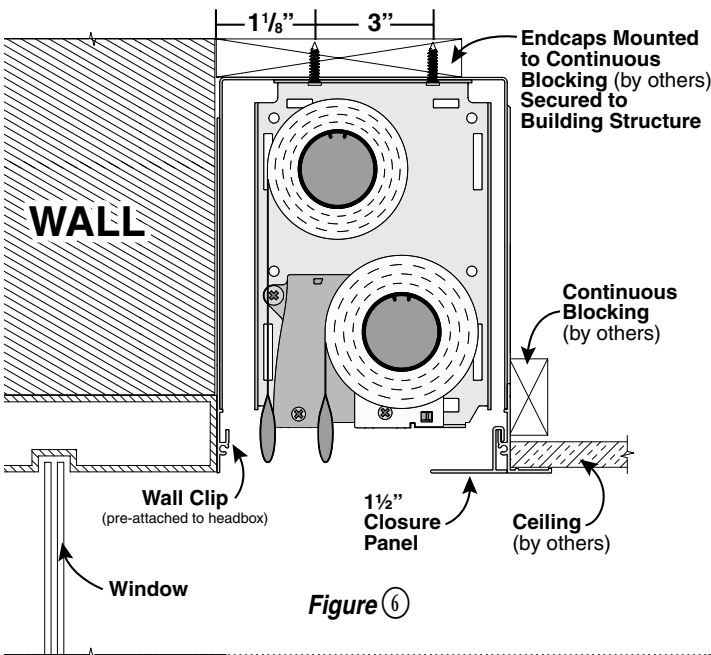


Figure ⑥

Installing Closure Panel

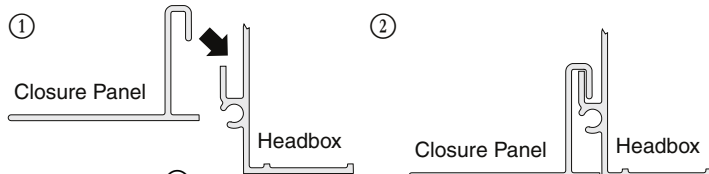
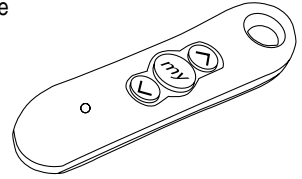


Figure ⑦

Programming Instructions for Battery Motors

Please Note: The motor has no programming on it so it must be learned and programmed to work on the transmitter that you have at the job. Here are the initial programming instructions.

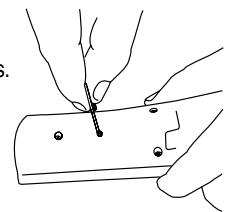
- ① Connect the battery wand to one motor. Select the transmitter/channel to which you plan to learn the motor. Press and hold the UP and DOWN buttons at the same time until the motor jogs, then release.
- ② Check the motor run direction by pressing either the UP or DOWN buttons. This is important because if you do step 3 without doing this step, then you will need to reset the motor. If you need to reverse the motor direction, then press the STOP button (middle button which might be labeled MY) for five seconds until the motor jogs. Check the direction again to make sure that it works.
- ③ Move the motor to its upper limit position. Press the STOP and DOWN buttons at the same time until the motor starts to move down, then release. You will stop the motor at its lower limit. You can use the UP and DOWN buttons to adjust the motor to the correct lower limit position if need be.
- ④ Once the motor is at its lower limit position, then press the UP and STOP buttons at the same time until the motor starts to move up, then release. The motor should move to the upper limit position in step 3 and stop.
- ⑤ Once the motor has stopped at its upper limit position, then press and hold the STOP button for five seconds until the motor jogs.
- ⑥ Now, you must put the motor into USER mode. Find the programming button which is a small button on the back or side of the transmitter and press it until the motor jogs. Once you have done this, then the motor will operate in normal fashion.
- ⑦ Disconnect power to this motor and move to the next in your installation and start with step 1. Reconnect motor to power when all motors are programmed.



Resetting the Motors

If the motor is not working or responding correctly and you want to reprogram it from the beginning and clear all previous programming, then follow this.

- ① Using a paperclip, press and hold the program button on the motor head for 12 seconds. This erases all transmitters and limits.



Setting an Intermediate Stop

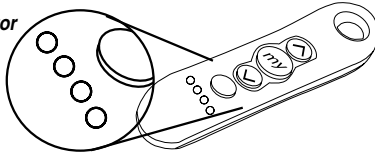
Once the shade is in USER mode from the initial programming at top.

- ① Move the motor to the mid-point location that you want the stop located.
- ② Press and hold the STOP button until the motor jogs.
- ③ Now, if you hit the STOP button when the motor is standing still, it will move to that intermediate location.
- ④ If you want to delete the stop, then go to the intermediate stop and press and hold the STOP button until the motor jogs.

Add/Delete a Channel/Transmitter

- ① Select the channel/transmitter that is currently operating the motor, then press the programming button until the motor jogs.
- ② Select the new channel/transmitter that you want to add to the motor, then press the programming button until the motor jogs.
- ③ The motor should now work on both the old and new channel/transmitter.

Channel selector button on Multi-Channel Transmitter



Please Note:
For instructions with Programmable Timer, please consult instructions provided with the timer.

To delete a channel/transmitter:

- ① Select the channel/transmitter that is currently operating the motor and you want to keep, then press and hold the programming button until the motor jogs.
- ② Select the channel/transmitter that you want to remove, then press and hold the programming button until the motor jogs.
- ③ The motor should now only work on the channel/transmitter on step 1.

Adjust Limits in User Mode

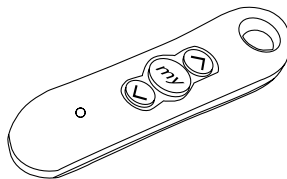
If your initial limits have changed or you want to fine tune a motor, you do not need to reset the motor and re-program it. You can just change the limits with these steps.

- ① Move the motor to the limit (upper or lower) that you want to change.
- ② Press and hold the UP and DOWN buttons until the motor jogs.
- ③ Move the motor to its new limit location.
- ④ Press and hold the STOP button until the shade jogs.

Programming Instructions for 24V Motors

Please Note: When you receive a radio frequency remote control motor from Draper, Inc., the motor has no programming on it so it must be learned and programmed to work on the transmitter that you have at the job. Here are the initial programming instructions.

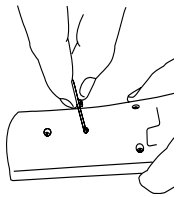
- ① Connect power to one motor. Select the transmitter/channel to which you plan to learn the motor. Press and hold the UP and DOWN buttons at the same time until the motor jogs, then release.
- ② Check the motor run direction by pressing either the UP or DOWN buttons. This is important because if you do step 3 without doing this step, then you will need to reset the motor. If you need to reverse the motor direction, then press the STOP button (middle button which might be labeled MY) for five seconds until the motor jogs. Check the direction again to make sure that it works.
- ③ Move the motor to its upper limit position. Press the STOP and DOWN buttons at the same time until the motor starts to move down, then release. You will stop the motor at its lower limit. You can use the UP and DOWN buttons to adjust the motor to the correct lower limit position if need be.
- ④ Once the motor is at its lower limit position, then press the UP and STOP buttons at the same time until the motor starts to move up, then release. The motor should move to the upper limit position in step 3 and stop.
- ⑤ Once the motor has stopped at its upper limit position, then press and hold the STOP button for five seconds until the motor jogs.
- ⑥ Now, you must put the motor into USER mode. Find the programming button which is a small button on the back or side of the transmitter and press it until the motor jogs. Once you have done this, then the motor will operate in normal fashion.
- ⑦ Disconnect power to this motor and move to the next in your installation and start with step 1. Reconnect motor to power when all motors are programmed.



Reset Motor Instructions

If the motor is not working or responding correctly and you want to reprogram it from the beginning and clear all previous programming, then follow this step.

- ① Using a paperclip, press and hold the RED program button on the motor head for 12 seconds until the motor jogs 3 times. This has erased all transmitters and limits.



Setting an Intermediate Stop

- ① Once the shade is in USER mode from the initial programming at top.
- ① Move the motor to the mid-point location that you want the stop located.
- ② Press and hold the STOP button until the motor jogs.
- ③ Now, if you hit the STOP button when the motor is standing still, it will move to that intermediate location.
- ④ If you want to delete the stop, then go to the intermediate stop and press and hold the STOP button until the motor jogs.

Add/Delete a Channel/Transmitter

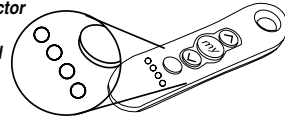
To add a channel/transmitter:

- ① Select the channel/transmitter that is currently operating the motor, then press the programming button until the motor jogs.
- ② Select the new channel/transmitter that you want to add to the motor, then press the programming button until the motor jogs.
- ③ The motor should now work on both the old and new channel/transmitter.

To delete a channel/transmitter:

- ① Select the channel/transmitter that is currently operating the motor and you want to keep, then press and hold the programming button until the motor jogs.
- ② Select the channel/transmitter that you want to remove, then press and hold the programming button until the motor jogs.
- ③ The motor should now only work on the channel/transmitter on step 1.

Channel selector button on Multi-Channel Transmitter



Please Note:
For instructions with Programmable Timer, please consult instructions provided with the timer.

Adjust Limits in User Mode

If your initial limits have changed or you want to fine tune a motor, you do not need to reset the motor and re-program it. You can just change the limits with these steps.

- ① Move the motor to the limit (upper or lower) that you want to change.
- ② Press and hold the UP and DOWN buttons until the motor jogs.
- ③ Move the motor to its new limit location.
- ④ Press and hold the STOP button until the shade jogs.

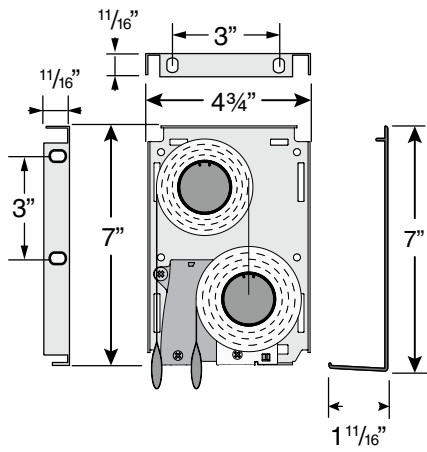
Field Adjustments

Each Draper Solar Control Shade is tested to ensure proper operation. Even with this testing, some field adjustments may be needed for telescoping. If the shade is telescoping, place a piece of high quality gaffer tape about 1" wide on the exposed roller (where the fabric will cover it) on the side that you want the fabric drawn toward. For example: if the fabric is tracking to the left, place the tape on the right side.

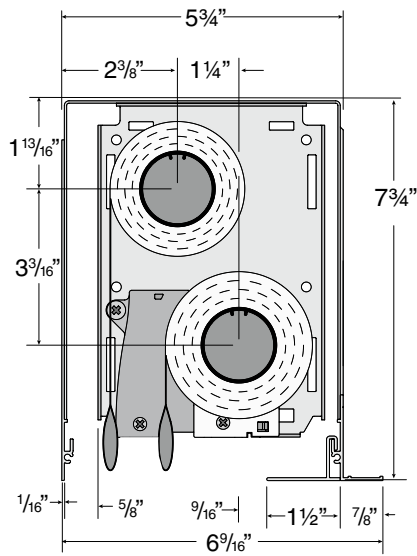
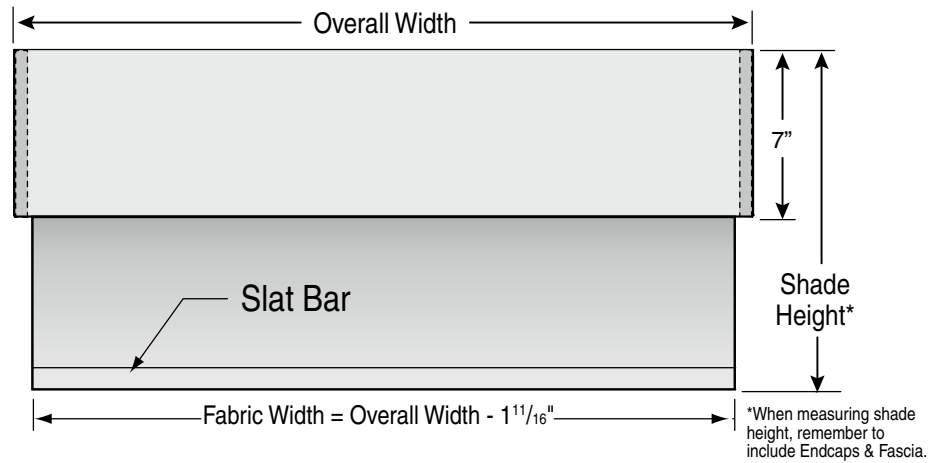
Cleaning and Maintenance

Window covering products manufactured by Draper, when properly installed, should require no operational maintenance or lubrication.

Most of Draper's standard fabrics may be cleaned at the window by vacuuming with a soft brush attachment. They may also be cleaned by using a sponge or soft cloth and mild solution of warm soapy water. A dishwashing liquid, such as Ivory liquid, is recommended. A clean dry cloth is recommended for the metal finish. **Exceptions are Flocké, Roc-Roi, Vizela, Avila Twilight, Edessa Twilight and SW7000 fabrics, which must be cleaned with a dry art sponge.**



Endcap & Fascia Dimensions



Pocket Headbox Dimensions

