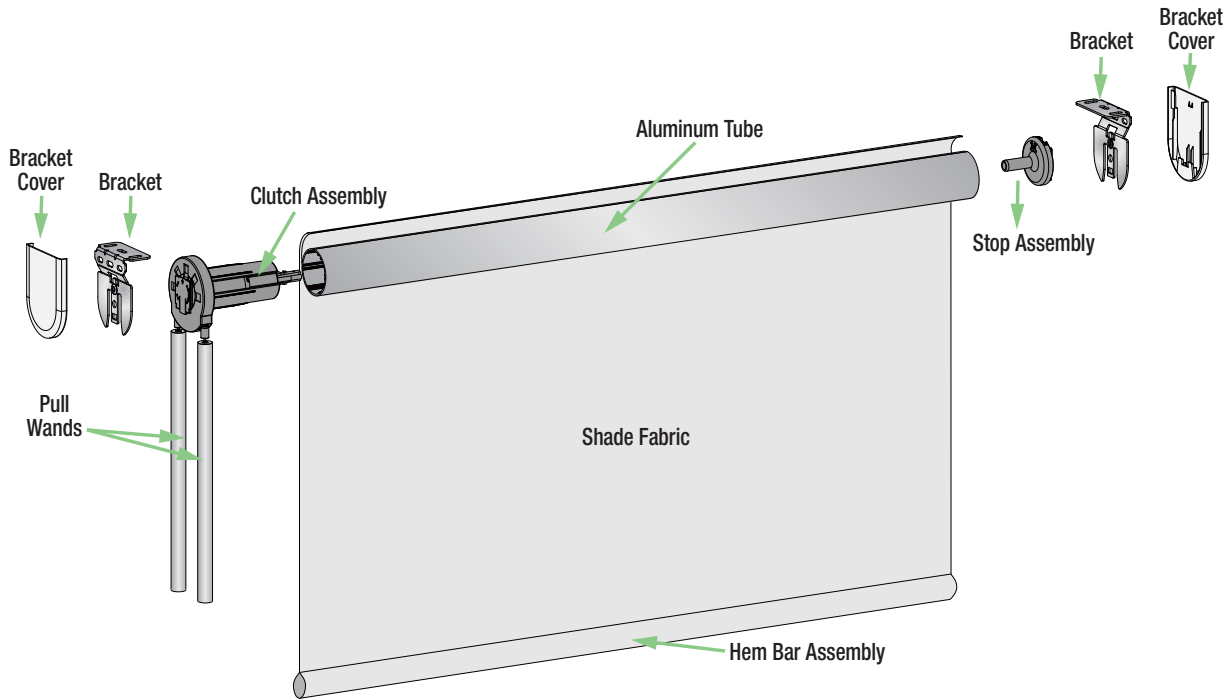


# FlexShade® Twin Pull

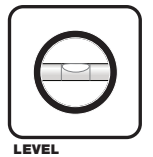
Convenient child safety option up to 8' wide

## INSTRUCTIONS INSTALLATION & OPERATION

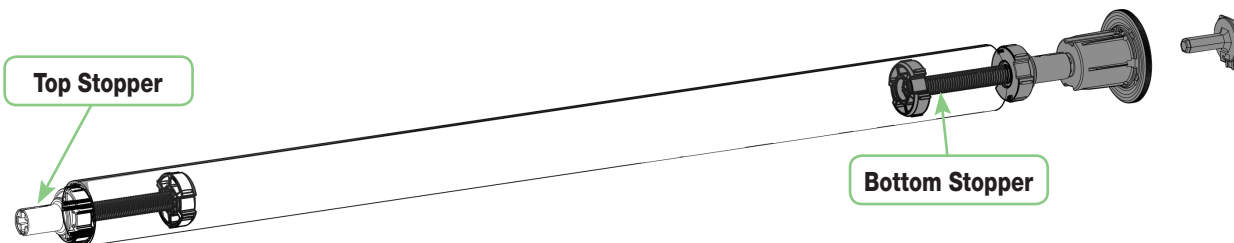
### Overview - Components



#### TOOLS REQUIRED



### Overview - Stoppers



**⚠ CAUTION ⚠**  
*Read and understand all warnings (Page 2 of this document) before beginning installation.*

#### Contents

Overview	Components.....	1	Section 3	Attaching Pull Wands .....	3
Overview	Stoppers .....	1	Section 4	Mounting Brackets .....	3
Please Read	Warnings and Safety Information .....	2	Section 5	Dimensions.....	4
Please Read	Field Adjustments, Cleaning and Maintenance .....	2	Section 6	Installation.....	4
Section 1	Twin Pull Top Stopper.....	3	Section 7	Removal.....	7
Section 2	Twin Pull Bottom Stopper .....	3			

If you have any difficulties installing or servicing your Twin Pull Clutch FlexShade®, call your dealer or Draper, Inc.

# FlexShade® Twin Pull

Convenient child safety option up to 8' wide

page 2 of 7

## Important Safety Information



## WARNING



## Important Safety Information

**Improper installation and use of the FlexShade® Twin Pull can result in serious injury or death. Primarily, injuries can occur if the unit falls due to imprecise installation, mishandling of the shade during installation or installation on an insufficient wall or ceiling structure. Please use extreme care.**

1. Please read the following installation guidelines thoroughly and follow them carefully. Failure to do so may cause product to fall or otherwise fail, and could result in serious injury.
2. Installation and calibration of the shade should only be performed by an authorized, qualified, and experienced professional.
3. Do not affix the unit to wall or ceilings that have inadequate strength to permanently hold the unit during use. It is the owner's and installer's responsibility to confirm the wall or ceiling to which the unit attaches is sufficient to permanently hold the weight and stress loads of the unit at all times. Draper, Inc., is not responsible for improper installation, application, testing or workmanship related to the product at place of installation.
4. It is the installer's responsibility to make sure appropriate fasteners are used for mounting.
5. All brackets, fascia, head boxes, pockets, wall clips, and other hardware must be installed level. shade must be level and square.
6. Never leave the area while operating the shade during installation, maintenance, or normal operation, unless it is secure and safe.
7. Before testing or operation, carefully inspect the entire area and path of the shade and areas underneath the shade to be sure no persons or objects are in the area.
8. During testing or operation, carefully watch the surrounding area for any potential safety concerns including nearby persons or objects.
9. After installation, the entire system should be carefully tested to ensure safe and normal operation. Extreme care should be taken during testing to remain clear of moving parts to avoid possible injury.
10. Operation of shade should be performed only by authorized and qualified personnel, who have been trained in the safe and effective operation of the shade & understand its safety features.
11. The safety features of the shade should never be disabled, bypassed or overridden. The system should not be operated until all safety features are properly and completely installed, calibrated and tested.
12. Shade may need to comply with local, state or district rules and regulations, in particular when installed in schools. All applicable rules and regulations should be reviewed before installation and use.
13. Failure to precisely follow installation guidelines invalidates all warranties.
14. Custom products/installations may not be reflected in this manual. Call Draper, Inc., if you have questions regarding your installation.

## Before Beginning Installation

1. Look for any job site conditions that could interfere with installation or operation of the system.
2. Read carefully and be sure to understand all installation instructions and all related operations manuals. These instructions are intended to serve as a guide for the installer and owner. They should be followed closely and combined with the expertise of experienced qualified installers. Draper, Inc., is not responsible for improper installation, application, testing or workmanship related to the product at place of installation. Please retain all instructions for future use.
3. Open cartons lengthwise.
4. Locate and lay out all pieces.
5. Inspect all boxes to make sure you have received the proper shade and parts. Controls may be shipped separately, or in same carton as shade.
6. If you have any difficulties with installing, servicing or operating your shade, call your dealer or Draper, Inc., 765-987-7999.

### Field Adjustments

Each Draper Solar Control Shade is tested to ensure proper operation. Even with this testing, some field adjustments may be needed for telescoping. If the shade is telescoping, place a piece of high quality gaffer tape about 1" wide on the exposed roller (*where the fabric will cover it*) on the side that the fabric will be drawn toward. For example: if the fabric is tracking to the left, place the tape on the right side.

### Cleaning and Maintenance

Window covering products manufactured by Draper, when properly installed, should require no operational maintenance or lubrication.

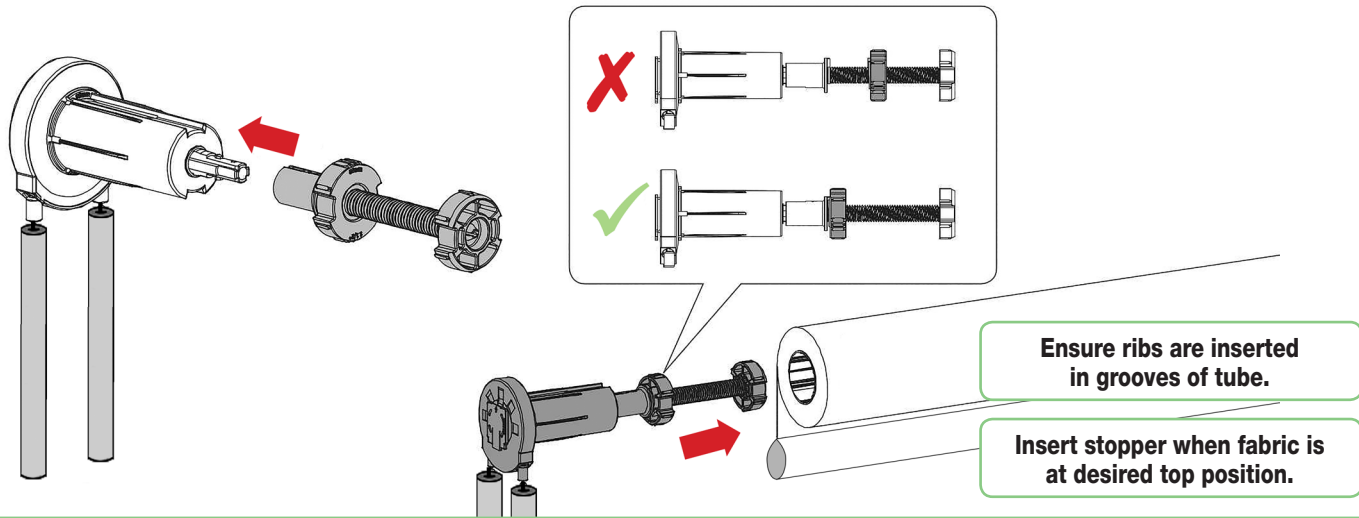
Most of Draper's standard fabrics may be cleaned at the window by vacuuming with a soft brush attachment. They also may be cleaned by using a sponge or soft cloth and mild solution of warm soapy water. A mild dishwashing liquid is recommended. A clean dry cloth is recommended for the metal finish.

**Please Note:** Exceptions are Flocké and Phifer SW7000 fabrics, which must be cleaned with a dry art sponge.

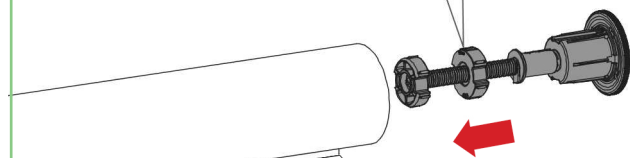
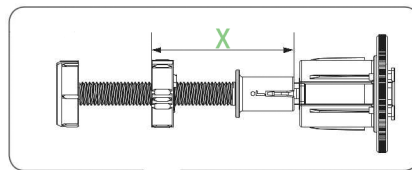
# FlexShade® Twin Pull

Convenient child safety option up to 8' wide

## Section 1 - Twin Pull Top Stopper



## Section 2 - Twin Pull Bottom Stopper



Height	X in.	X cm
39"	1m	2" 5cm
59"	1.5m	2 3/8" 6cm
78"	2.0m	2 1/2" 6.5cm
98"	2.5m	3" 7.5cm
118"	3m	3 3/8" 8.5cm

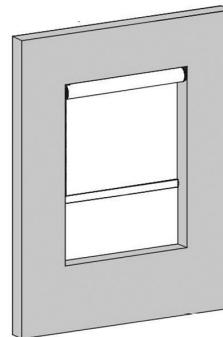
Ensure ribs are inserted in grooves of tube.

Insert stopper when fabric is at desired top position.

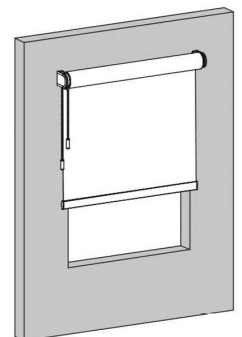
After installing shade, adjust bottom stopper.

## Section 4 - Mounting Brackets

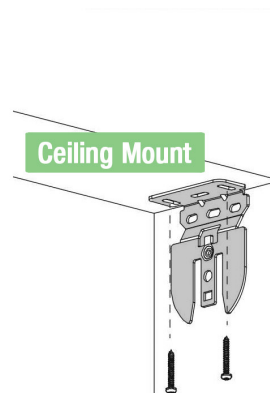
### Inside Mount



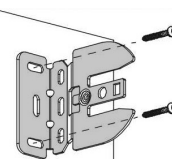
### Outside Mount



### Ceiling Mount

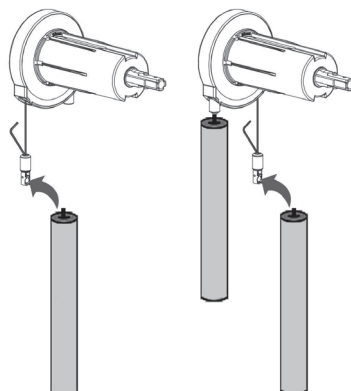


### Wall Mount



max. 1/8"  
(3.5mm)

## Section 3 - Attaching Pull Wands

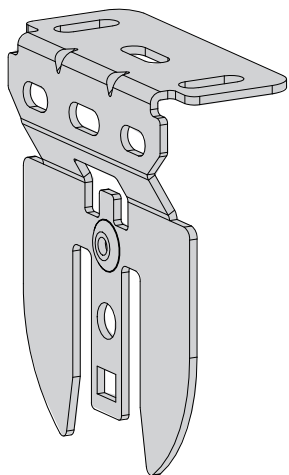


# FlexShade® Twin Pull

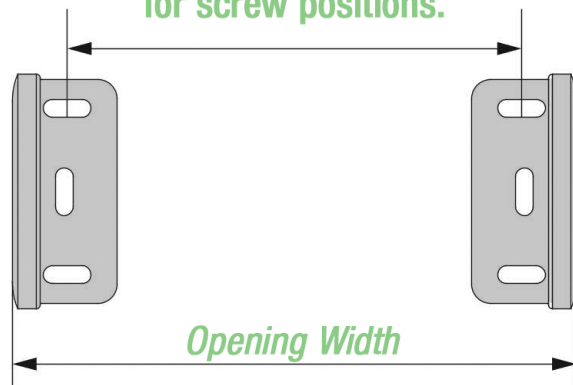
Convenient child safety option up to 8' wide

## Section 5 - Dimensions

### Bracket Dimensions

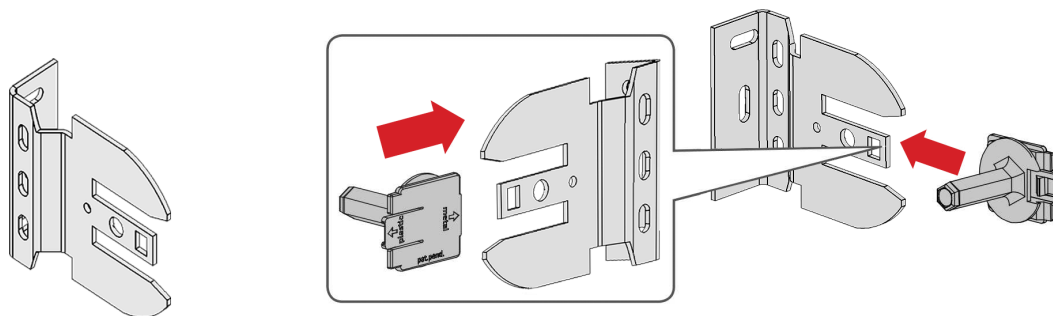


Deduct 1¼" (30mm) from opening width for screw positions.

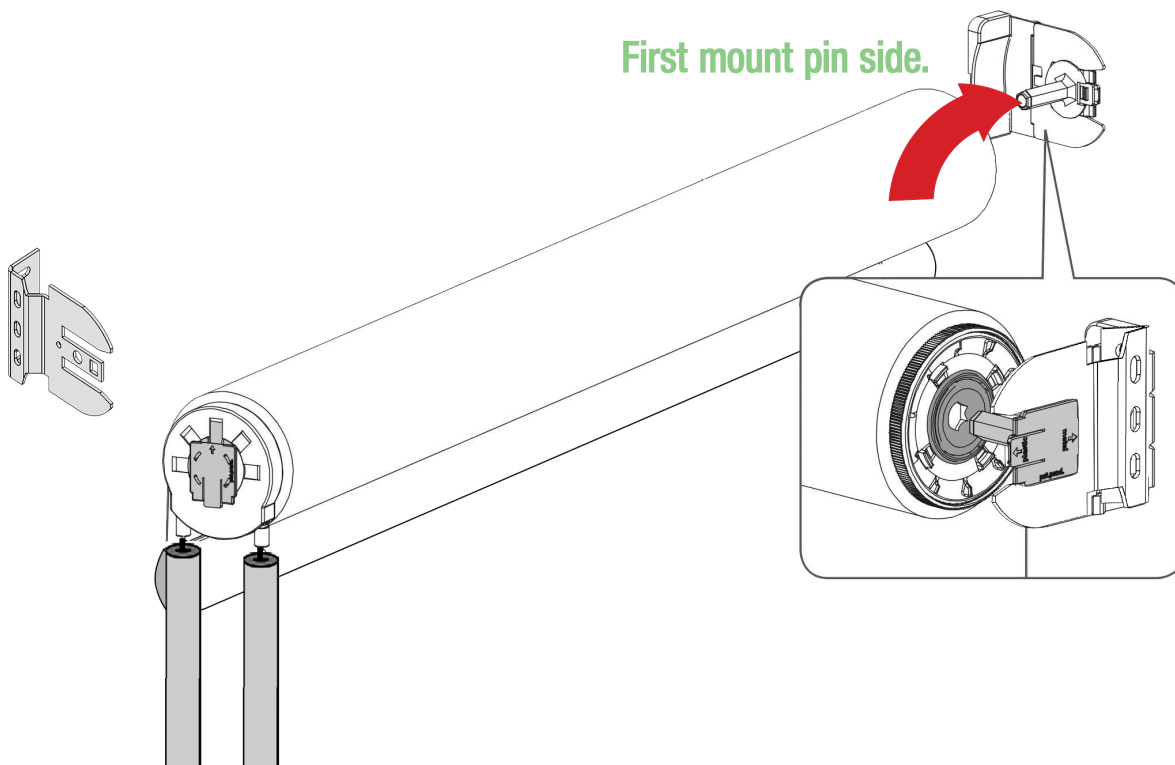


## Section 6 - Installation

1



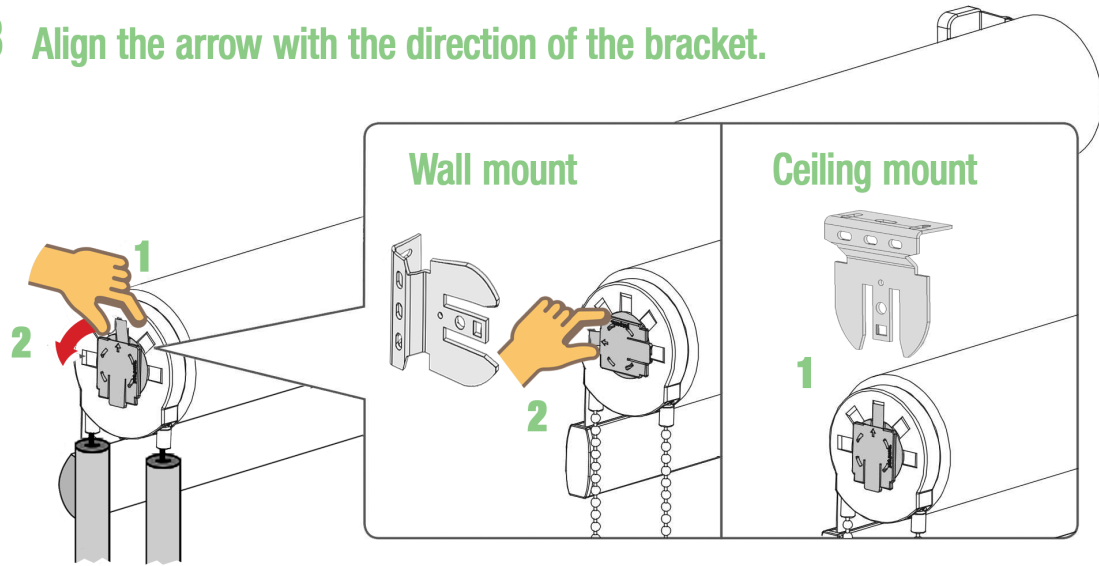
2



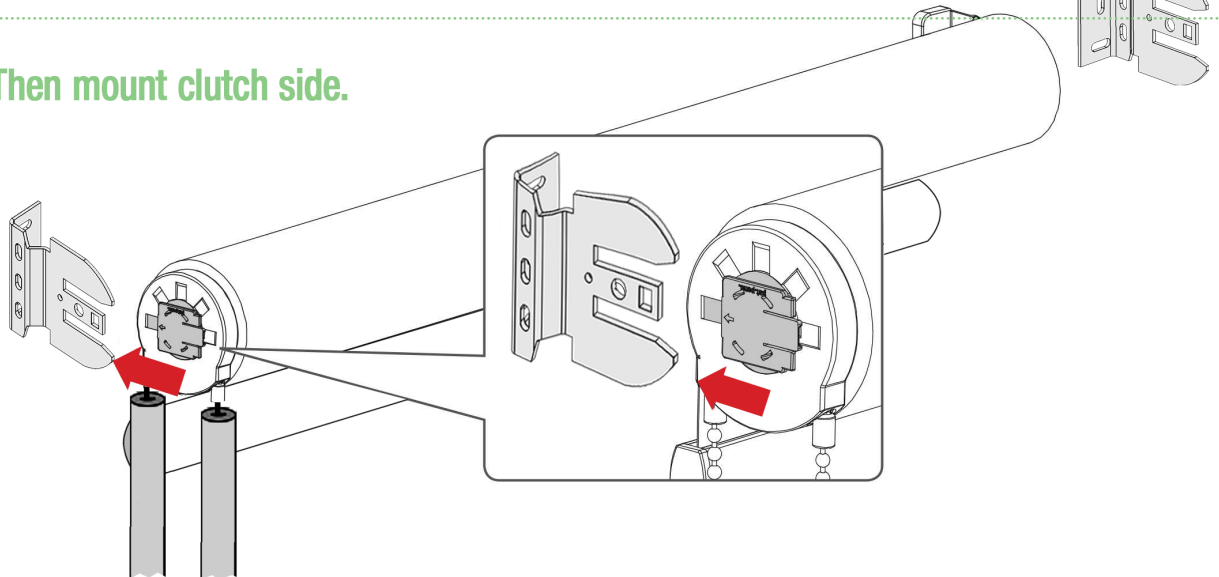
# FlexShade® Twin Pull

Convenient child safety option up to 8' wide

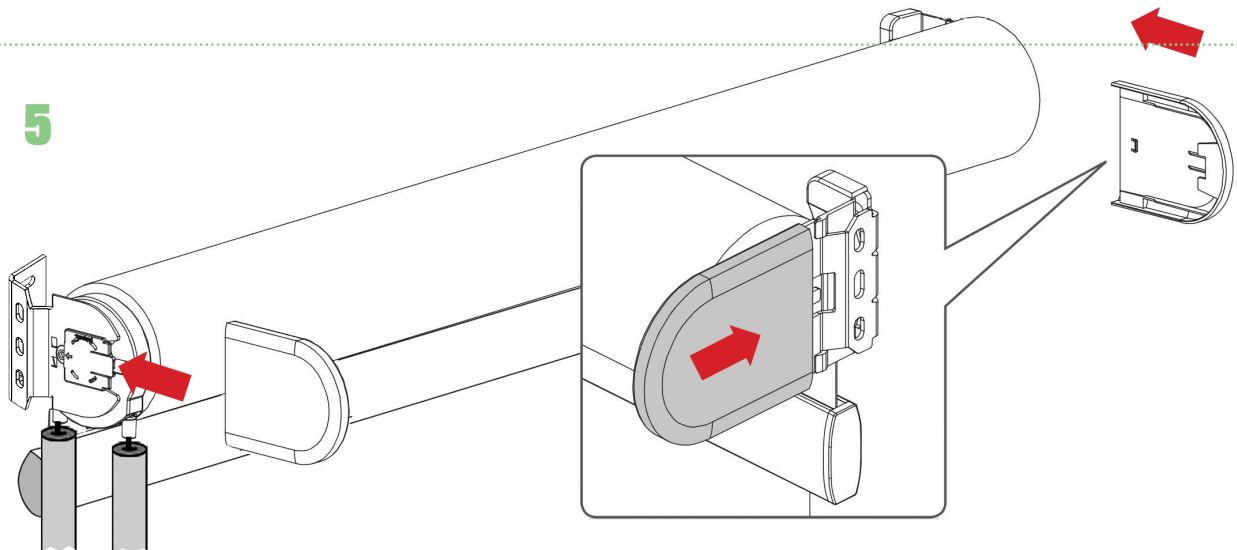
**3** Align the arrow with the direction of the bracket.



**4** Then mount clutch side.

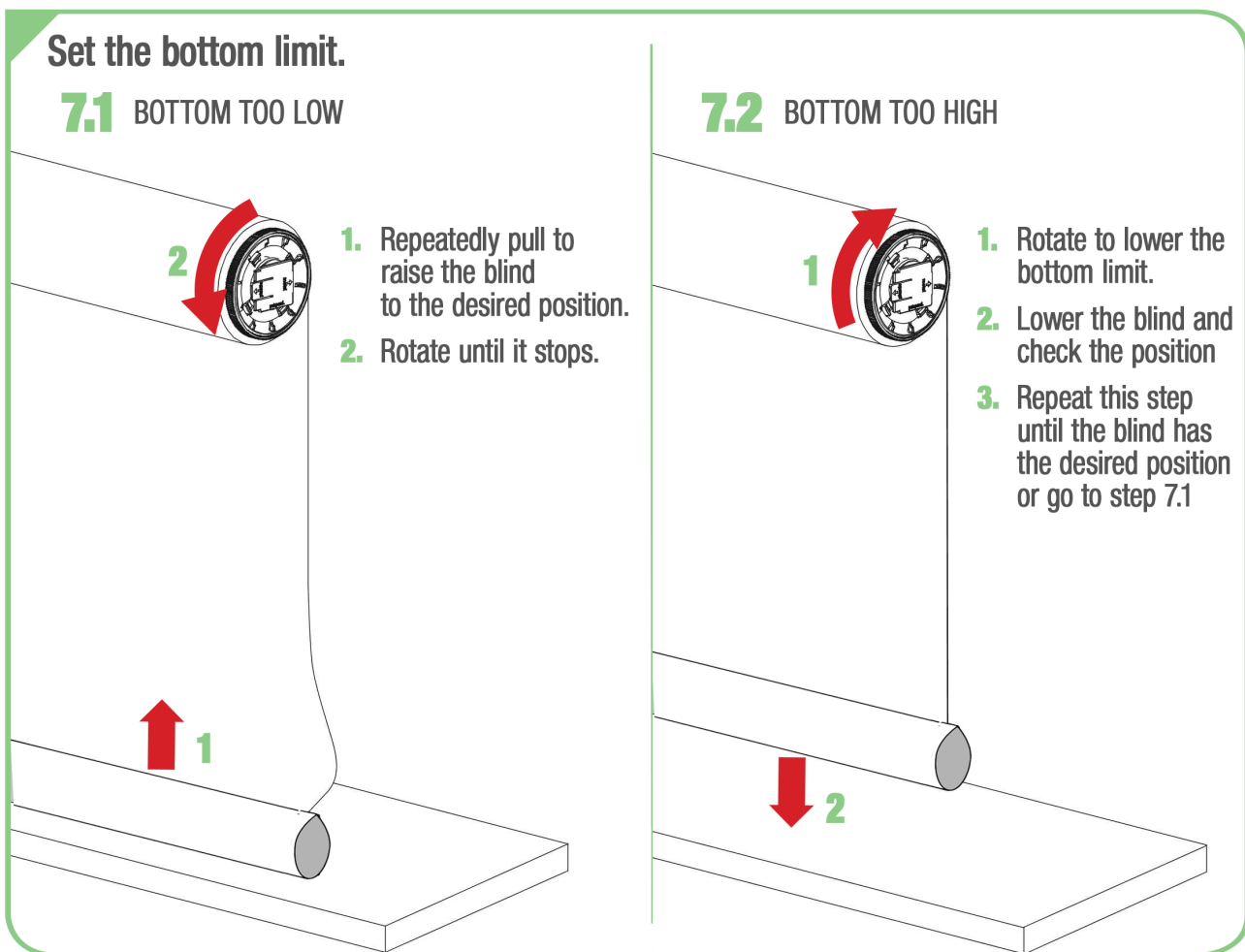
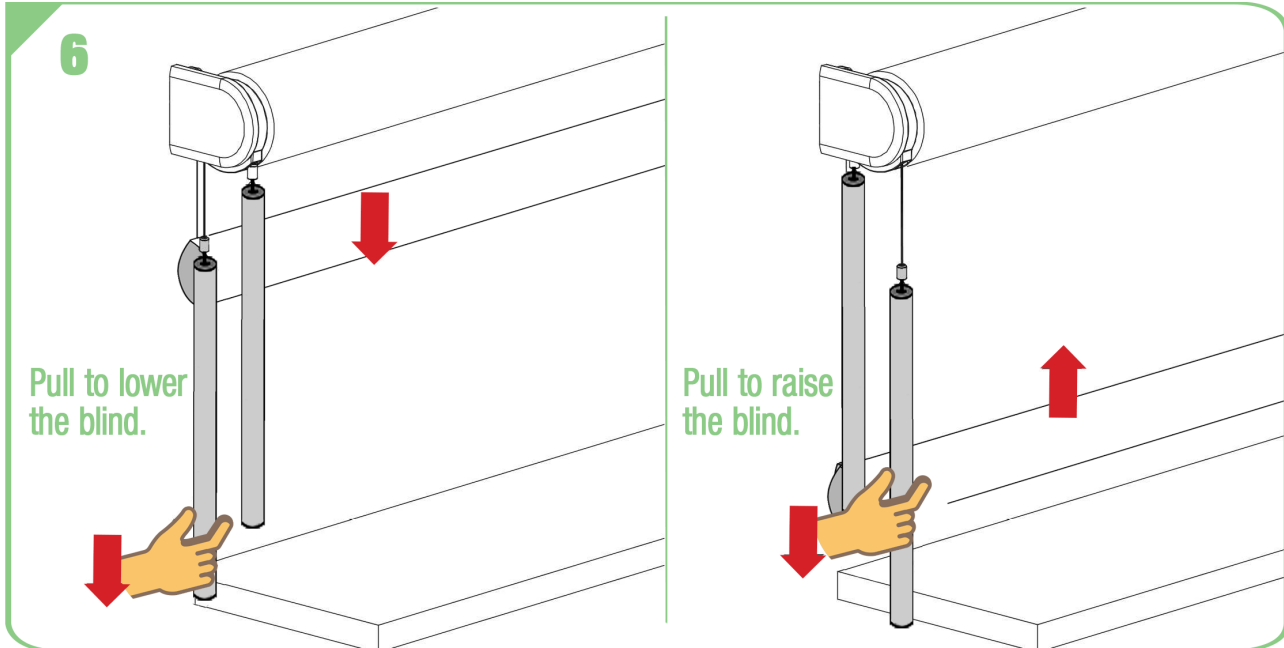


**5**



# FlexShade® Twin Pull

Convenient child safety option up to 8' wide



# FlexShade® Twin Pull

Convenient child safety option up to 8' wide

## Section 7 - Removal

