

Exterior Crank-Operated FlexShade®

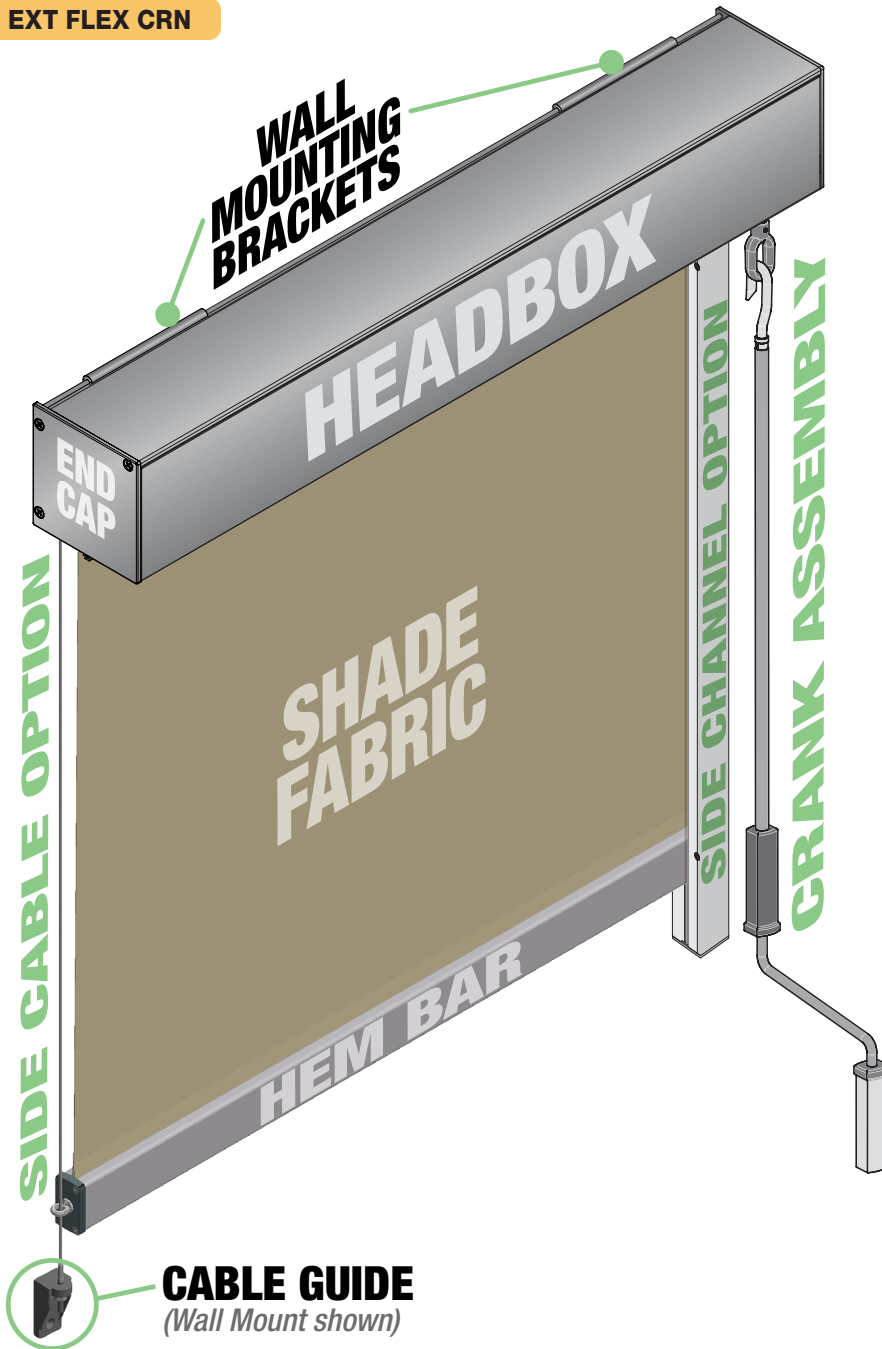
Outdoor crank-operated shading system with cable guides or side channels

INSTRUCTIONS

INSTALLATION & OPERATION

Overview - Components

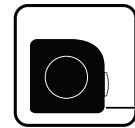
EXT FLEX CRN



TOOLS REQUIRED



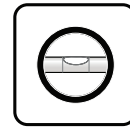
PENCIL



TAPE MEASURE



LASER LEVEL



LEVEL



POWER DRILL



WIRE STRIPPERS



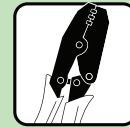
HARDWARE (by others)



PLIERS



HEX WRENCH



CRIMPING TOOL

NOTE: Draper® recommends the **32-VC:VG Crimping Tool** available from www.nicopress.com

CAUTION
Read and understand all warnings before beginning installation.

PERSONNEL RECOMMENDED
1 2

Contents

Overview - Components.....	1	Section 4 - Installing Side Channels Option.....	4
PLEASE READ - Important Safety & Installation Information.....	2	Section 5 - Installing Cable Guides Option.....	6
PLEASE READ - Field Adjustments, Cleaning and Maintenance.....	2	Section 6 - Replace Roller Assembly & Fascia.....	8
Section 1 - Preparation for Installation.....	3	Section 7 - Securing Guide Cable.....	9
Section 2 - Mounting Headbox with Wall Brackets.....	3	Section 8 - Dimensions: Front View.....	10
Section 3 - Remove Roller Assembly.....	3	Section 9 - Dimensions: Components.....	11
PLEASE READ - Important Installation Information.....	4		

If you have any difficulties installing or servicing your Exterior Crank-Operated FlexShade®, call your dealer or Draper, Inc.

PLEASE READ - Important Installation Information

⚠ Caution:

1. Inspect all boxes to make sure you have received the proper shades and parts. Crank may be shipped separately, or in same carton as shades.
2. Open cartons lengthwise, taking care not to cut into cardboard shipping container.
3. Before mounting shades, verify measurements on label provided with shade, and ensure unit is installed at correct width.
4. All endcaps, fascia, pocket headbox, and other hardware must be installed level. Shades must be level and square.
5. **Read the following installation guidelines thoroughly and follow them carefully. Failure to do so may cause product to fall or otherwise fail, and invalidates warranty.**
6. **Installer is responsible for selecting mounting hardware appropriate for site conditions.**

PLEASE READ - Safety Information

Important Safety Information



WARNING

Important Safety Information

Improper installation and use of the Exterior Crank-Operated FlexShade® can result in serious injury or death. Primarily, injuries can occur if the unit falls due to imprecise installation, mishandling of the shade during installation or installation on an insufficient wall or ceiling structure. Please use extreme care.

1. Please read the following installation guidelines thoroughly and follow them carefully. Failure to do so may cause product to fall or otherwise fail, and could result in serious injury.
2. Installation and calibration of the shade should only be performed by an authorized, qualified, and experienced professional.
3. Do not affix the unit to wall or ceilings that have inadequate strength to permanently hold the unit during use. It is the owner's and installer's responsibility to confirm the wall or ceiling to which the unit attaches is sufficient to permanently hold the weight and stress loads of the unit at all times. Draper®, Inc., is not responsible for improper installation, application, testing, or workmanship related to the product at place of installation.
4. It is the installer's responsibility to make sure appropriate fasteners are used for mounting.
5. All brackets, fascia, headboxes, pockets, wall clips, and other hardware must be installed level. Shade unit must be level and square.
6. Never leave the area while operating the shade during installation, maintenance, or normal operation, unless it is secure and safe.
7. Before testing or operation, carefully inspect the entire area and path of the shade and areas underneath the shade to be sure no persons or objects are in the area.
8. During testing or operation, carefully watch the surrounding area for any potential safety concerns including nearby persons or objects.
9. After installation, the entire system should be carefully tested to ensure safe and normal operation. Extreme care should be taken during testing to remain clear of moving parts to avoid possible injury.
10. Operation of shade should be performed only by authorized and qualified personnel, who have been trained in the safe and effective operation of the shade and understand its safety features.
11. The safety features of the shade should never be disabled, bypassed, or overridden. The system should not be operated until all safety features are properly and completely installed, calibrated, and tested.
12. Shade may need to comply with local, state, or district rules and regulations, in particular when installed in schools. All applicable rules and regulations should be reviewed before installation and use.
13. Failure to precisely follow installation guidelines invalidates all warranties.
14. Custom products/installations may not be reflected in this manual. Call Draper, Inc., if you have questions regarding your installation.

PLEASE READ - Field Adjustments

Each Draper Solar Control Shade is tested to ensure proper operation. Even with this testing, some field adjustments may be needed for telescoping.

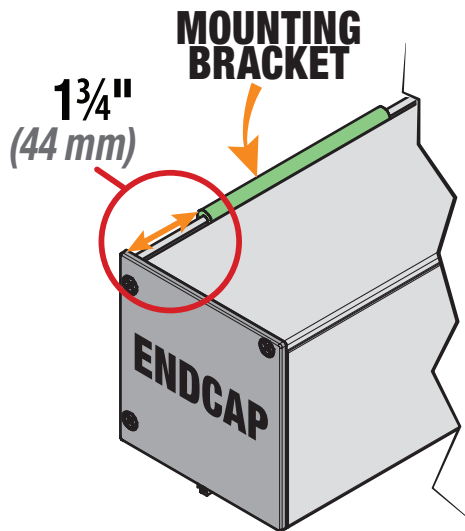
If the shade is telescoping, place a piece of shimming fabric into the fabric roll when the shade is deployed on the side that the fabric will be drawn toward. For example: if the fabric is tracking to the left, place the shimming fabric on the right side.

PLEASE READ - Cleaning and Maintenance

Window covering products manufactured by Draper, when properly installed, should require no operational maintenance or lubrication.

Most standard Draper fabrics may be cleaned at the window by vacuuming with a soft brush attachment. They also may be cleaned by using a sponge or soft cloth and mild solution of warm soapy water. A mild dishwashing liquid is recommended. A clean dry cloth is recommended for the metal finish.

Please Note: Exceptions are GreenScreen Evolve®, GreenScreen Revive®, and Phifer® SW7000 fabrics, which must be cleaned with a dry art sponge.
(GreenScreen Revive® and GreenScreen Evolve® are registered trademarks of Mermet® USA. SheerWeave® is a registered trademark of Phifer® Incorporated.)



Section 1 - Preparation for Installation

⚠ Caution: Before mounting shades, verify measurements on label provided with shade, and ensure unit is installed at correct width.

Please Note: Installer is responsible for selecting mounting hardware appropriate for site conditions.

1. Ensure mounting surface is strong enough to hold the Exterior Motorized FlexShade®.
2. Verify unit measurements and make sure it will fit in the desired location.

Please Note: Hem Bar does **not** retract into the Headbox and must be accounted for if mounting over a swinging window or door.

3. Mounting Brackets MUST be installed with a gap of 1 3/4" (44mm) between the Endcap and the Mounting Bracket edge (Fig. 1-A). Mark wall or jamb.
4. Drill small starter holes (if necessary) in mounting surface.

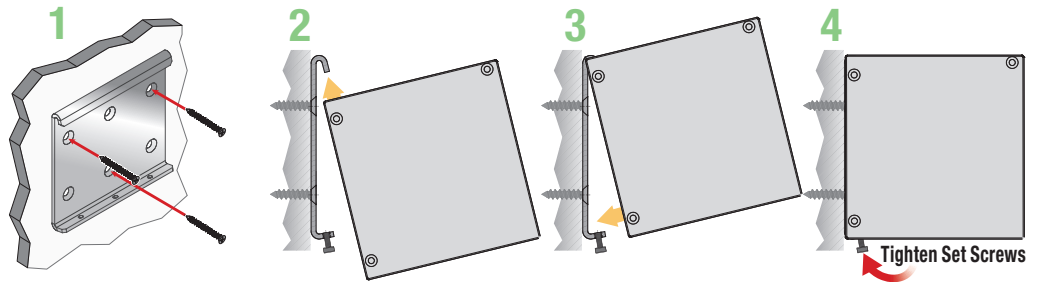
Section 2 - Mounting Headbox with Wall Brackets (Curved Headbox shown)

⚠ Caution: Wall Mounting Brackets are required for proper spacing of unit off the wall for aligning Side Channel option.

1. Attach Wall Mounting Brackets to the wall using #10 flat head screws installed flush with bracket.

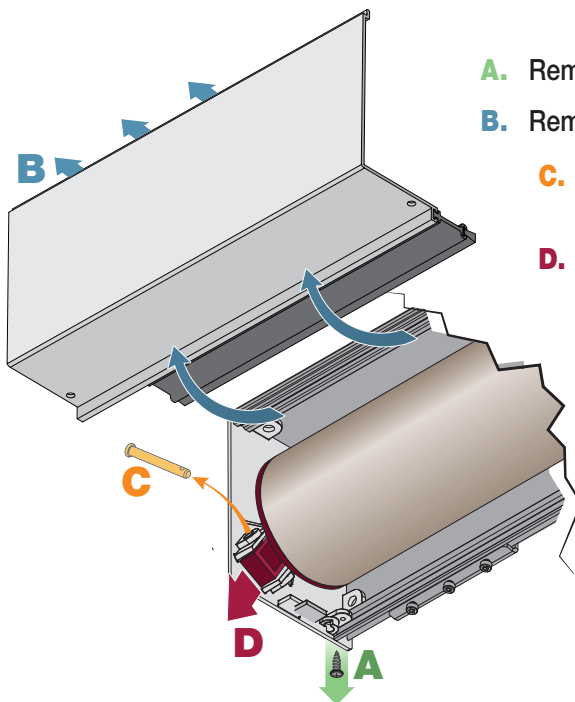
Please Note:
Be sure to use **AT LEAST TWO (2)** of the top mounting holes.

2. Attach Headbox to brackets and tighten Set Screws.
3. If installing Side Channels, proceed to **Section 5**. If installing Side Cables, proceed to **Section 6**.



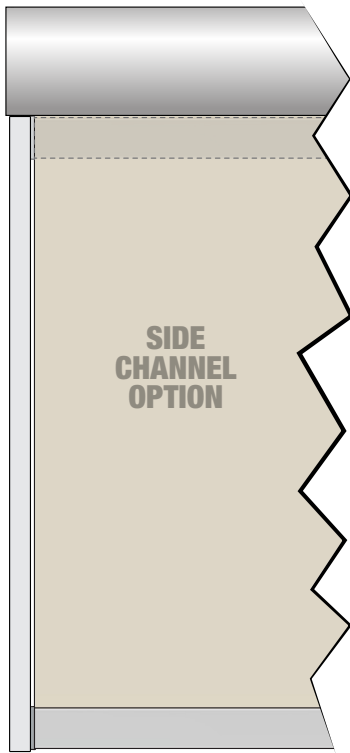
Section 3 - Remove Roller Assembly (Curved Headbox shown)

Please Note: If mounting with **side channels** (Section 4), this step is **optional**.
If mounting with side cables (Section 5), this step is **strongly recommended**.



- A. Remove screws from bottom of Headbox.
- B. Remove Fascia and set aside.
- C. Remove Quick Release Pin from Idler End of Roller Assembly.
- D. Remove Roller Assembly, Idler End first, and carefully set aside.

PLEASE READ - Important Installation Information

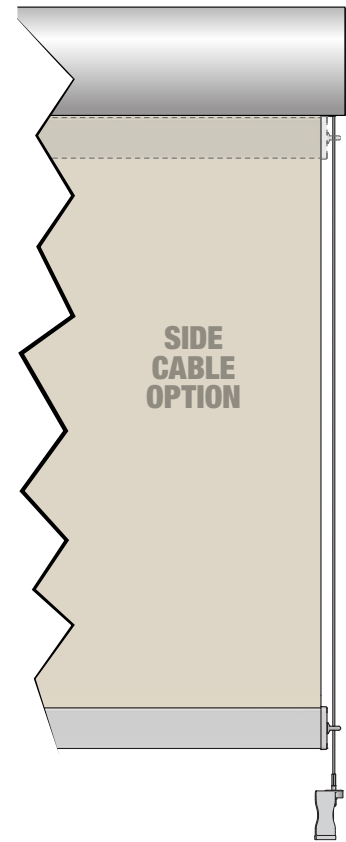


IMPORTANT:

The Exterior FlexShade® requires either Side Channels or Side Cables in order to stabilize it in standard outdoor conditions.

Installation instructions for Side Channel Option:
Section 4, Page 4

Installation instructions for Side Cable Option:
Section 5, Page 6



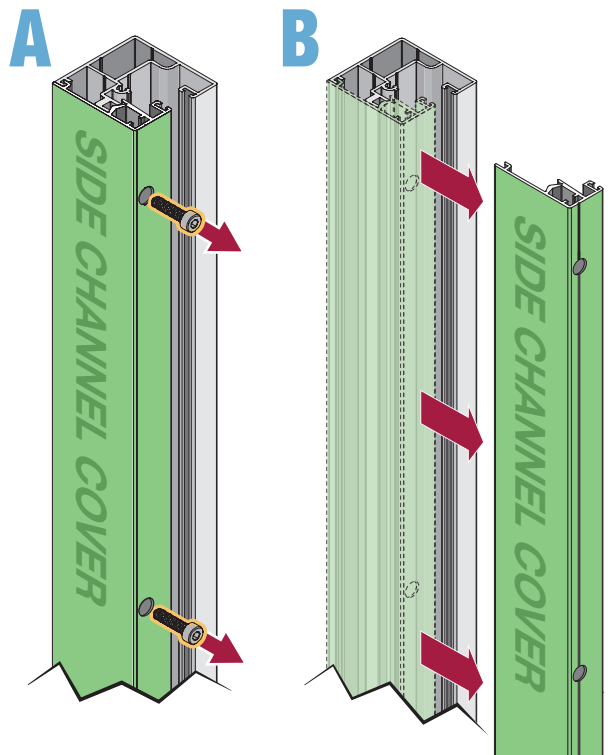
Section 4 - Installing Side Channels Option (Curved Headbox shown)

IMPORTANT: Side Channels must be installed parallel, plumb, and square, with a tolerance of +/- 1/8" (3mm).

1. Use 3 mm Hex Wrench to remove Screws from Side Channels and Side Channel Covers.

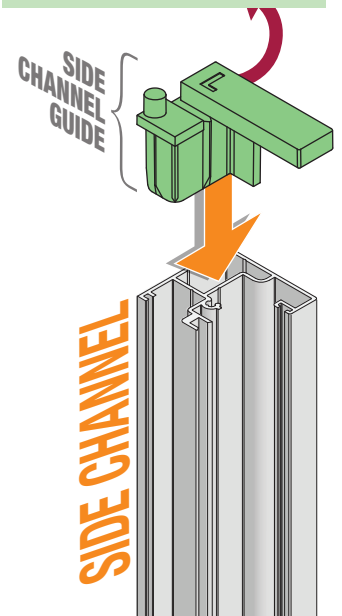
Please Note: Do NOT remove the Bottom Caps from Side Channels.

Please Note: Installer should make note of left & right covers so they match up correctly when re-attaching.



2. Insert Side Channel Guide into Side Channels.

Please Note: Guides are labeled "L" (Left) and "R" (right).



- 3.** Mark and drill Side Channels at desired mounting points on wall or jamb.

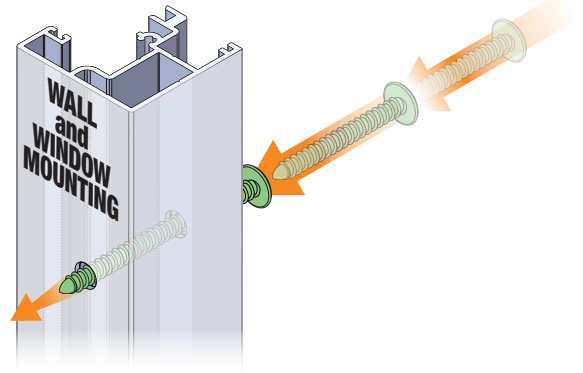
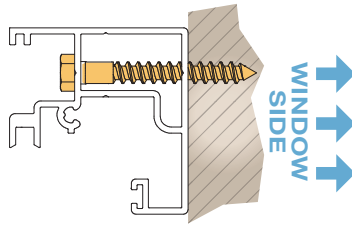
⚠ Caution:
DO NOT drill through Side Channel Guide!

Please Note:
Recommended attachment of Side Channel to structure:
MINIMUM of every 24"
(61cm).

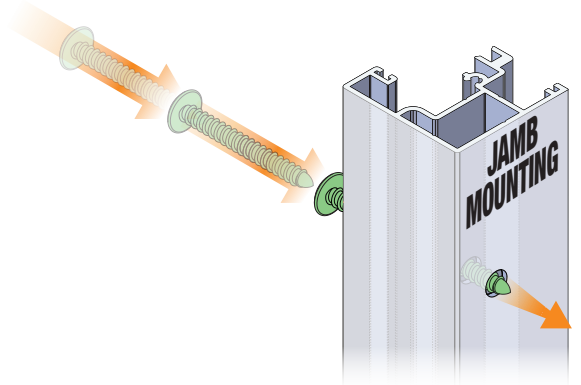
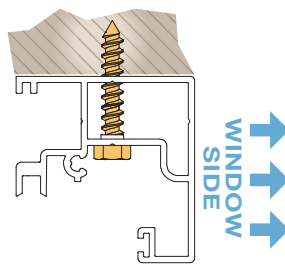
- 4.** Attach Side Channels to wall/structure.

- 5.** If Roller was removed as shown in Section 3, replace Roller Assembly in headbox, as shown in Section 6.

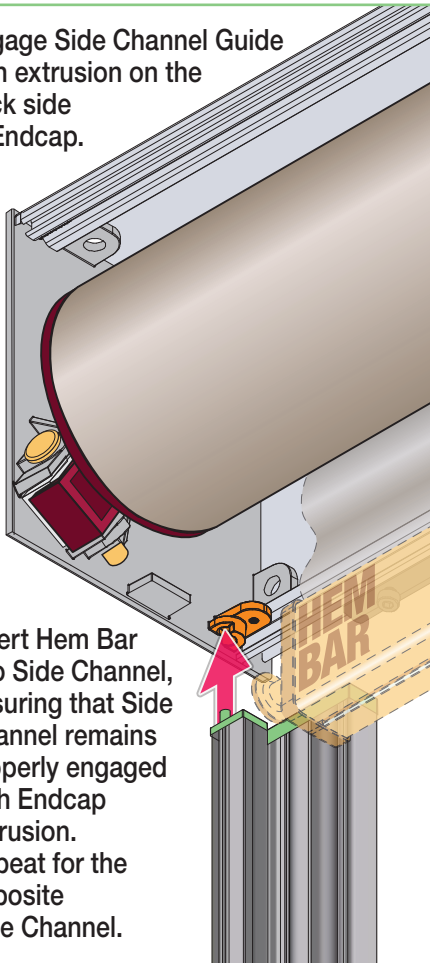
Wall Mounting



Jamb Mounting

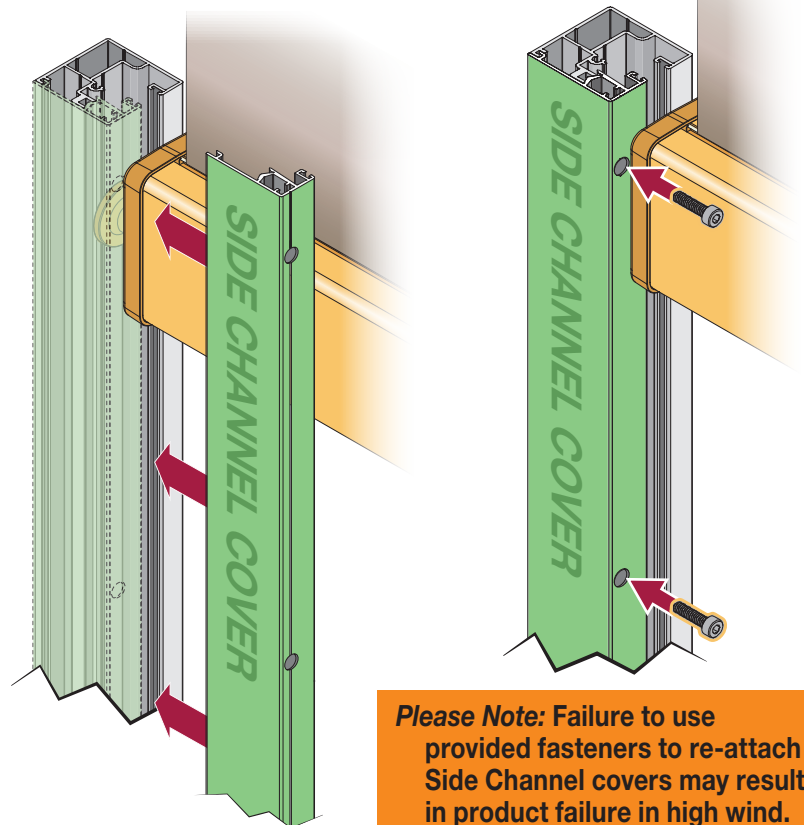


- 6.** Engage Side Channel Guide with extrusion on the back side of Endcap.



- 7.** Insert Hem Bar into Side Channel, ensuring that Side Channel remains properly engaged with Endcap extrusion. Repeat for the opposite Side Channel.

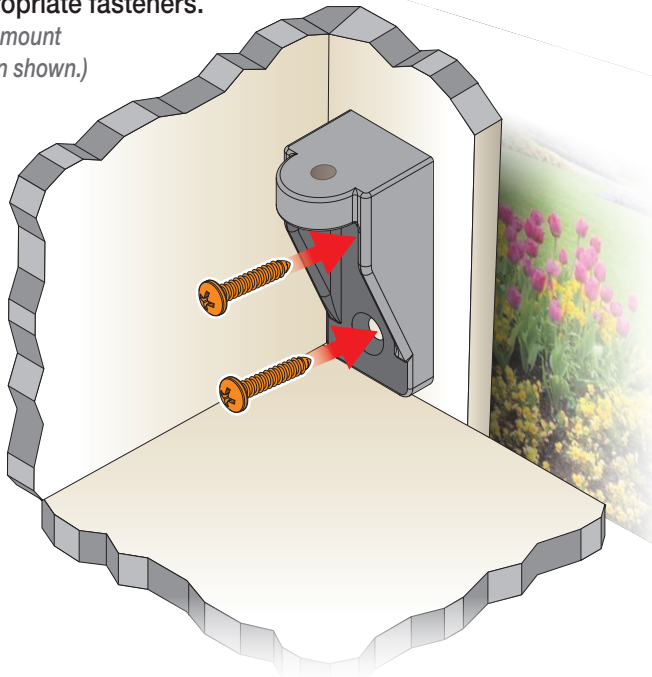
- 8.** Re-attach Side Channel Covers, replacing the screws removed in Sec. 4, Step 1.



Please Note: Failure to use provided fasteners to re-attach Side Channel covers may result in product failure in high wind.

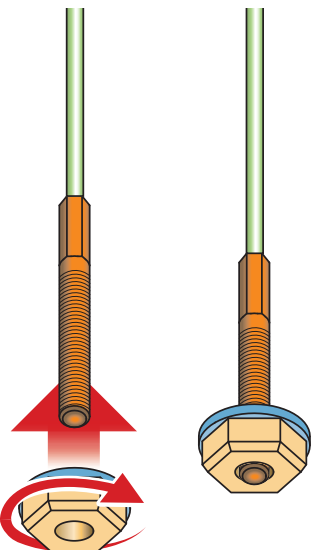
Section 5 - Installing Cable Guides Option (Square Headbox shown)

- 1.** Install Mounting Bracket using appropriate fasteners.
(Wall mount option shown.)

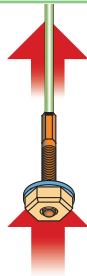


IMPORTANT: Mounting Bracket location must allow hole in endcap to be aligned plumb with Cable Mounting Hole in Endcap, and installed parallel, plumb, and square, with a tolerance of $\pm 1/8"$ (3mm).

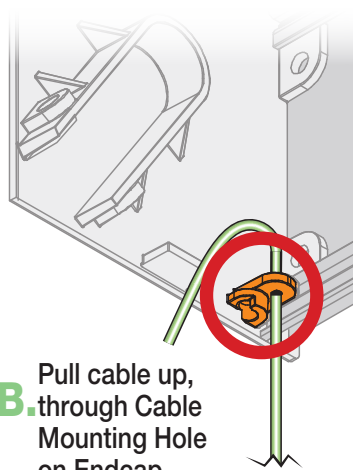
- 2.** Place washer and nut approximately halfway up threads of bolted end of cable to allow space for travel.



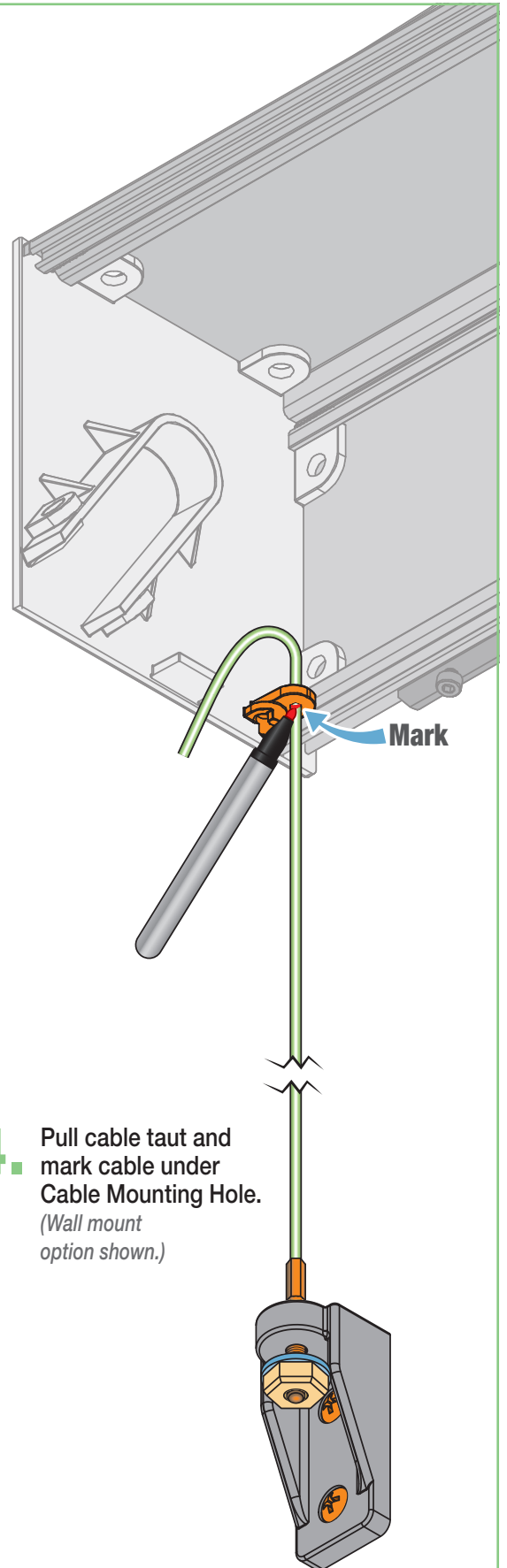
- 3A.** Pull cable up, through the Mounting Bracket



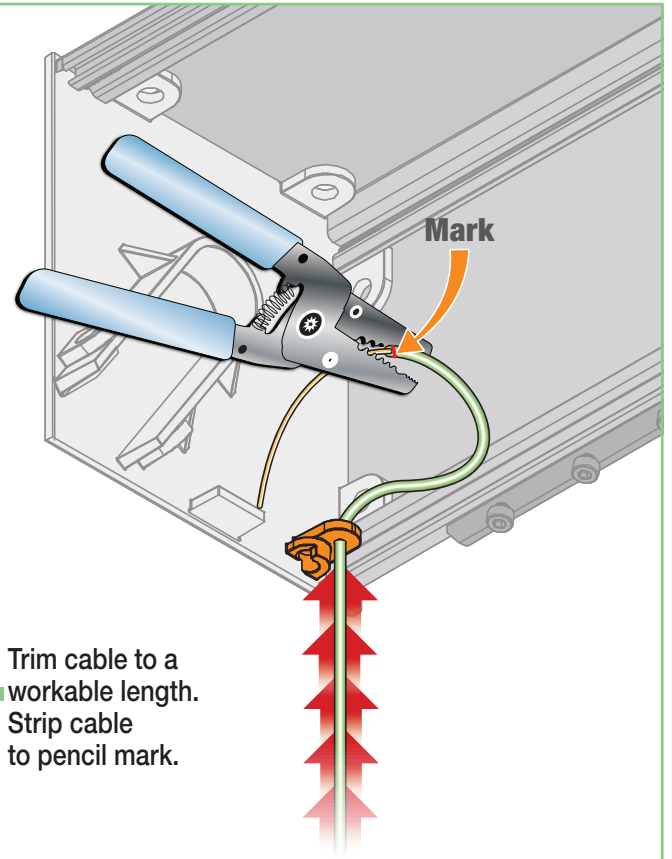
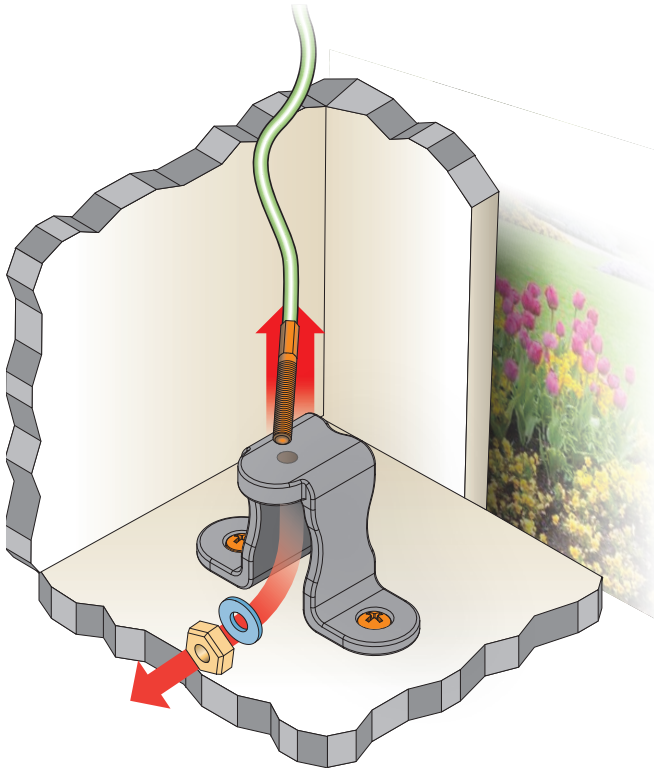
- 3B.** Pull cable up, through Cable Mounting Hole on Endcap.
(Wall mount option shown.)



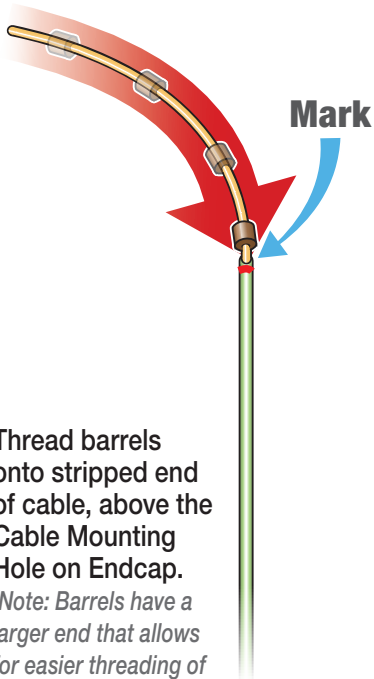
- 4.** Pull cable taut and mark cable under Cable Mounting Hole.
(Wall mount option shown.)



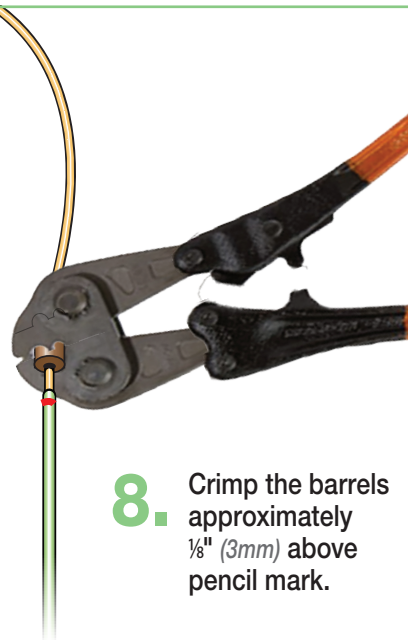
- 5.** Undo washer and nut, and pull cable up to allow for working clearance.
(Deck mount option shown).



- 6.** Trim cable to a workable length. Strip cable to pencil mark.

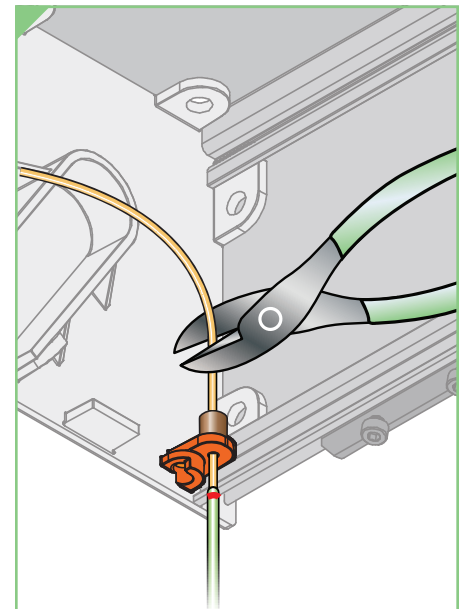


- 7.** Thread barrels onto stripped end of cable, above the Cable Mounting Hole on Endcap.
(Note: Barrels have a larger end that allows for easier threading of cable.)



- 8.** Crimp the barrels approximately $\frac{1}{8}$ " (3mm) above pencil mark.

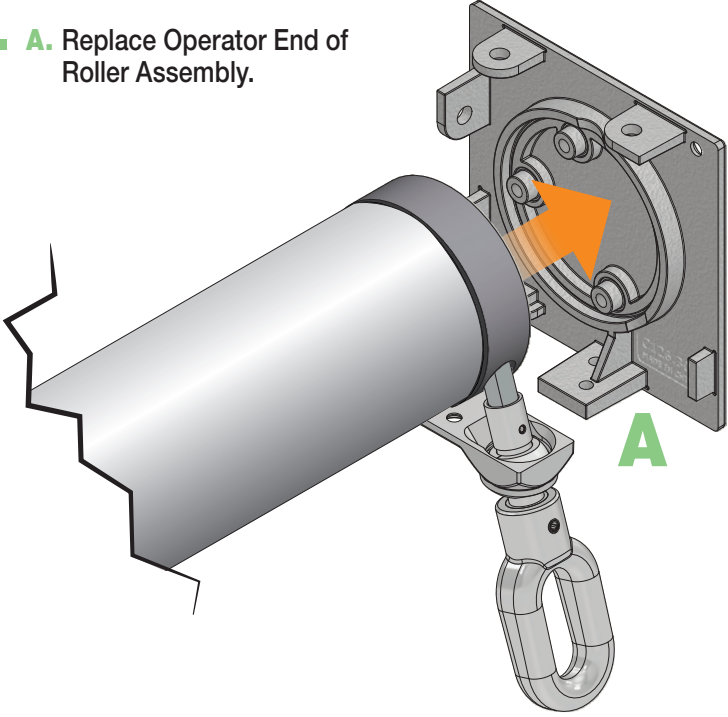
PLEASE NOTE:
Draper® recommends
32-VC:VG Crimper,
available from
www.nicopress.com



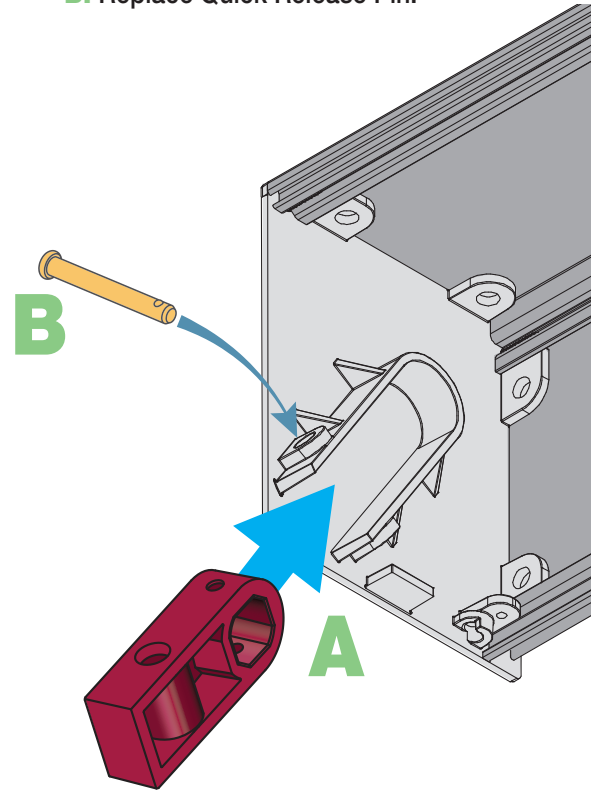
- 9.** With crimped barrels resting on Cable Mounting Hole on Endcap, trim any remaining excess cable as desired.

Section 6 - Replace Roller Assembly & Fascia

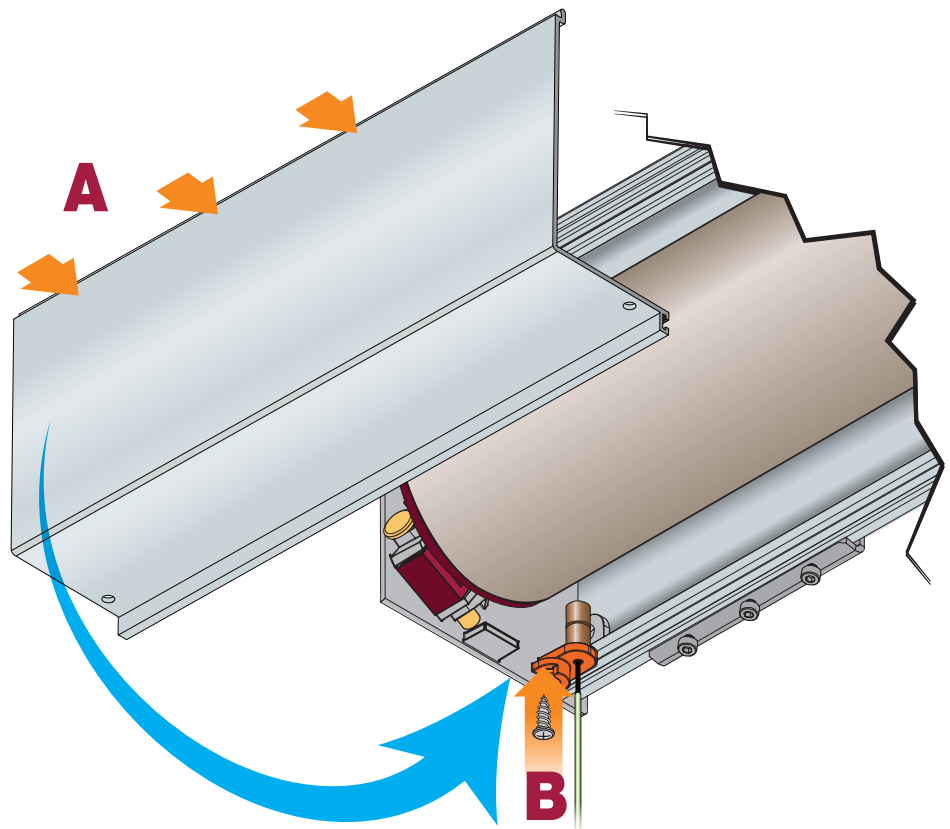
- 1. A.** Replace Operator End of Roller Assembly.



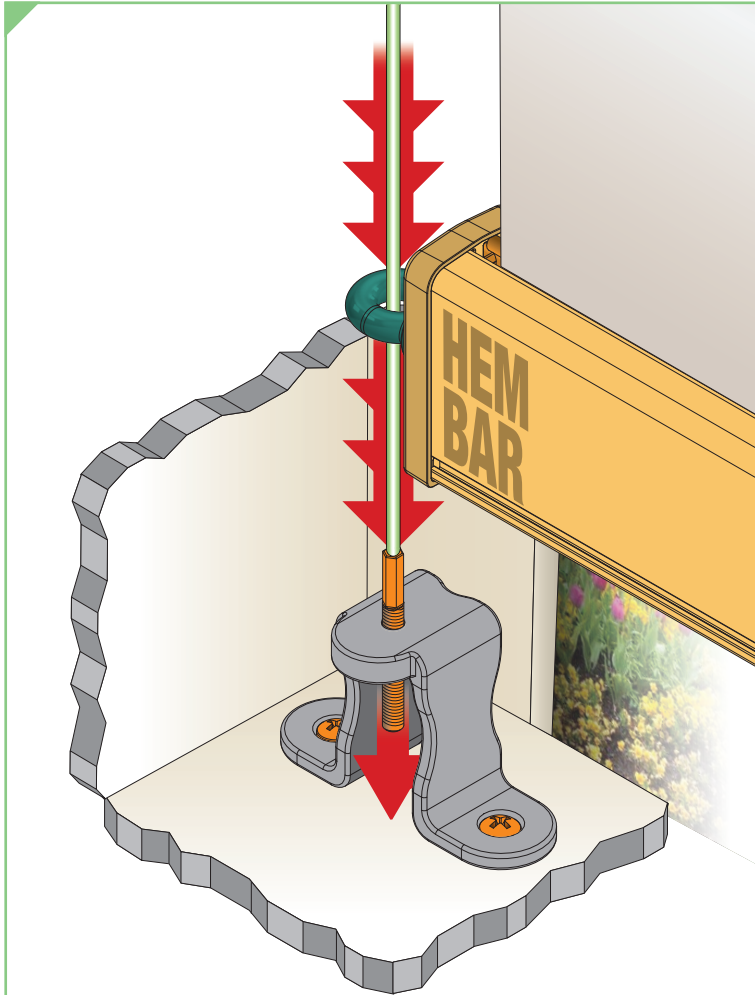
- 2. A.** Replace Idler Mounting Gudgeon on Idler End of Roller Assembly.
B. Replace Quick Release Pin.



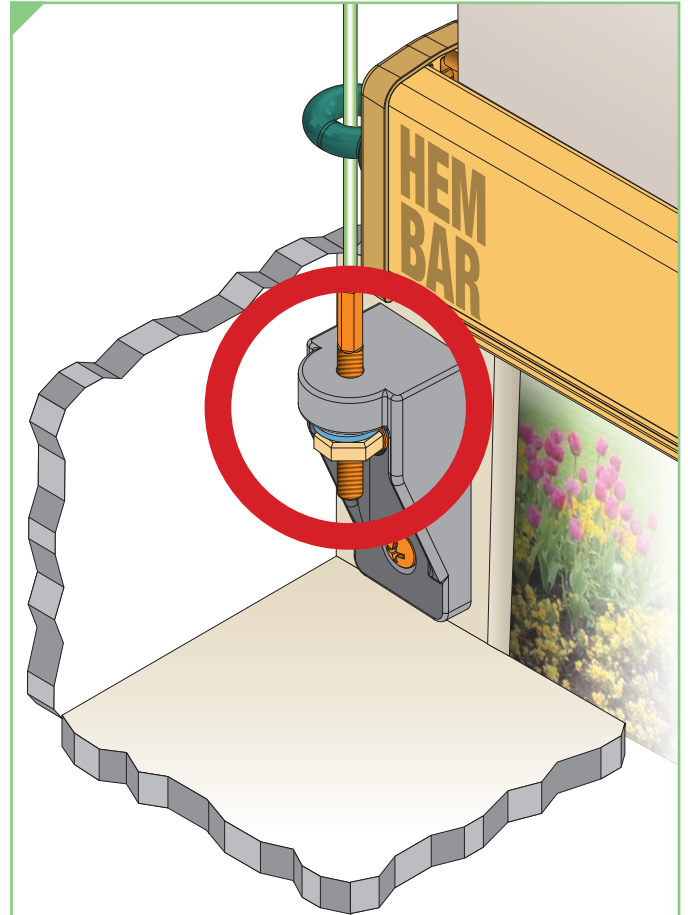
- 3. A.** Replace Fascia.
B. Replace screws on bottom of Headbox.



Section 7 - Securing Guide Cable



1. While capturing Hem Bar of shade, pull cable through Mounting Bracket, until crimped barrels are resting on Cable Mounting Hole on Endcap.
(Deck mount option shown).

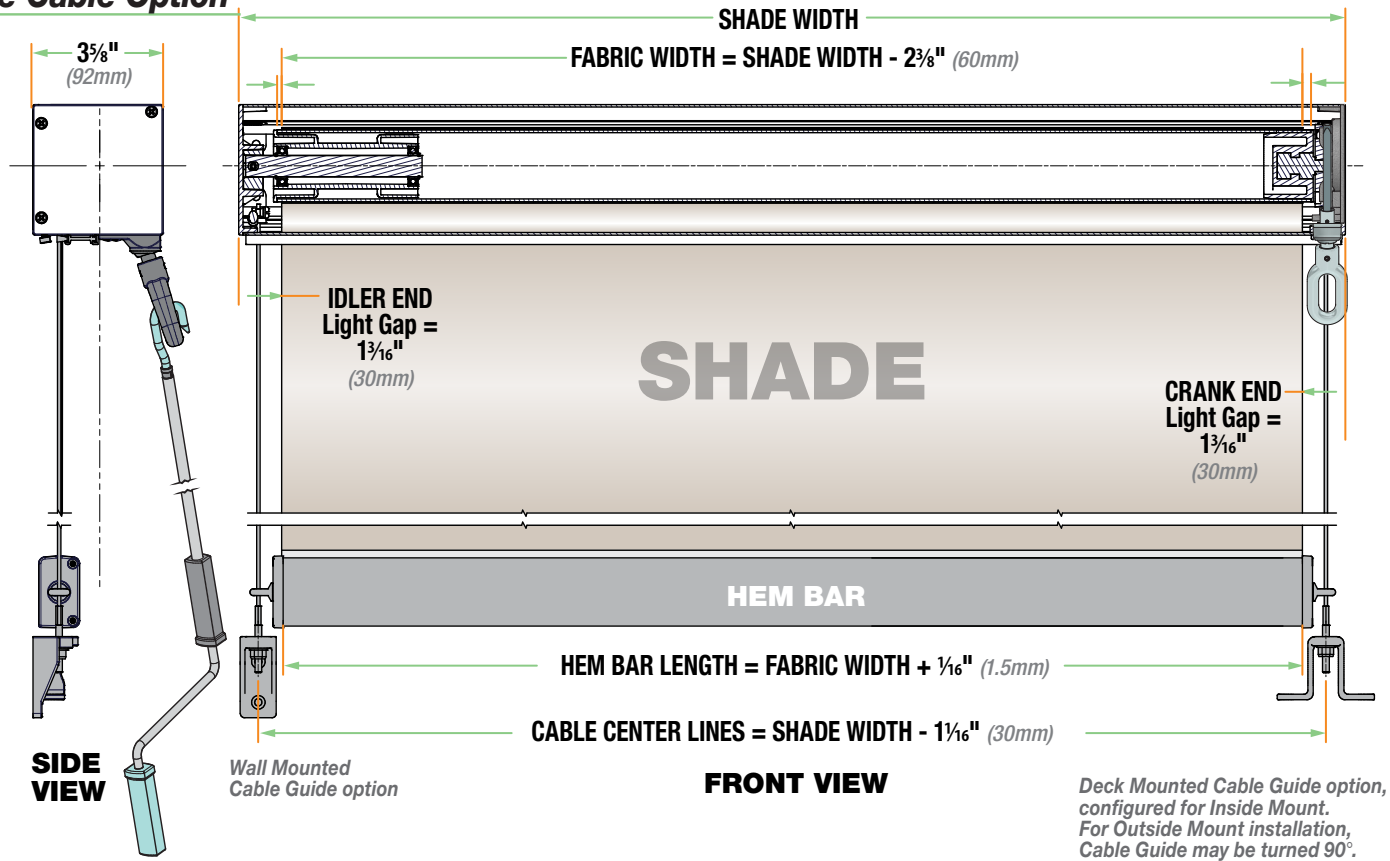


2. Replace Washer and Nut on the bottom bracket and tighten until desired tension is reached. *(Wall mount option shown.)*

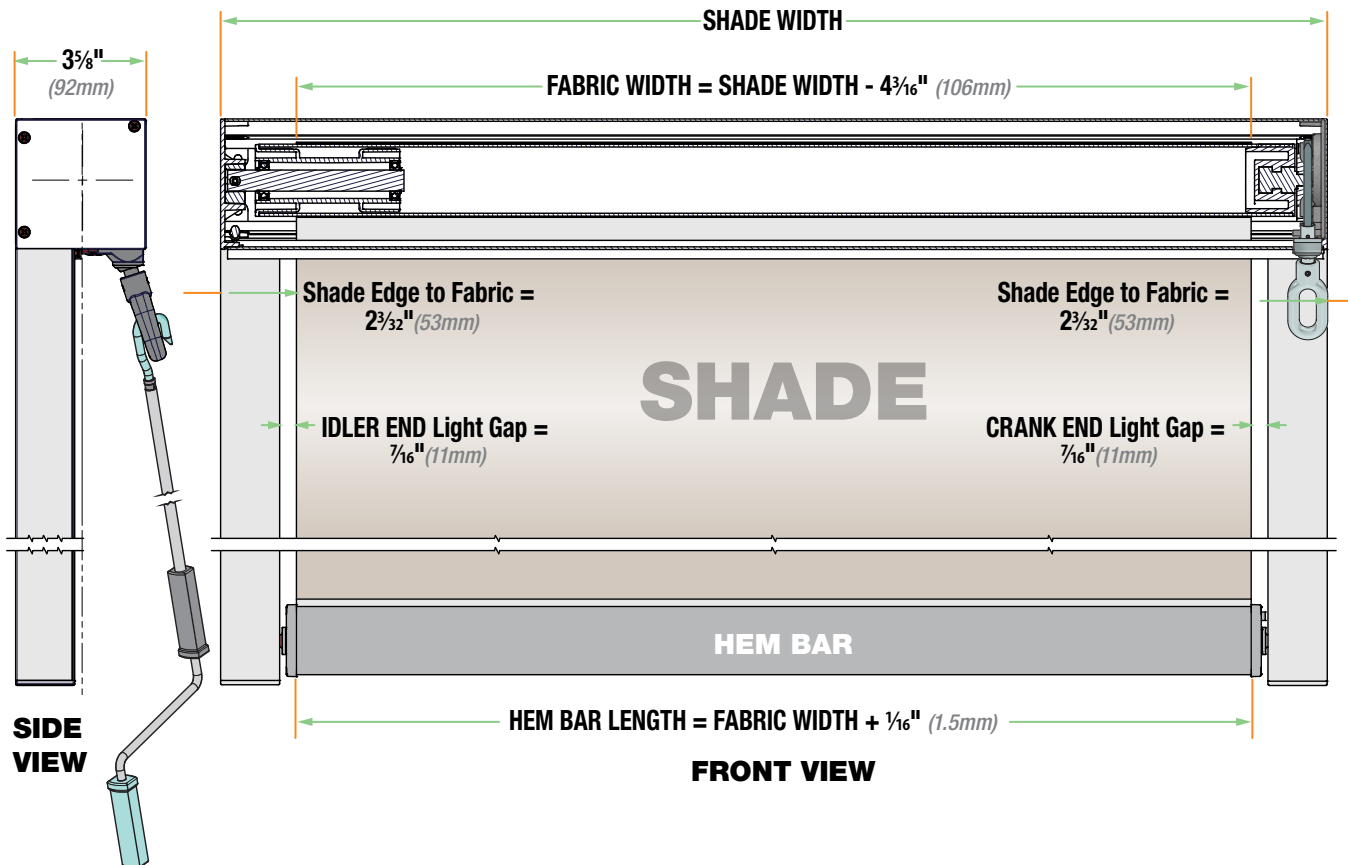
Please Note: Hem bar **will not** extend down below tops of cable mounting brackets.

Section 8 - Dimensions: Front View

Side Cable Option

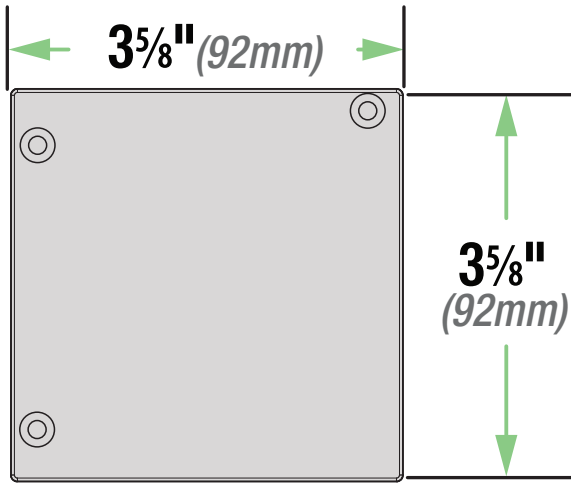


Side Channel Option

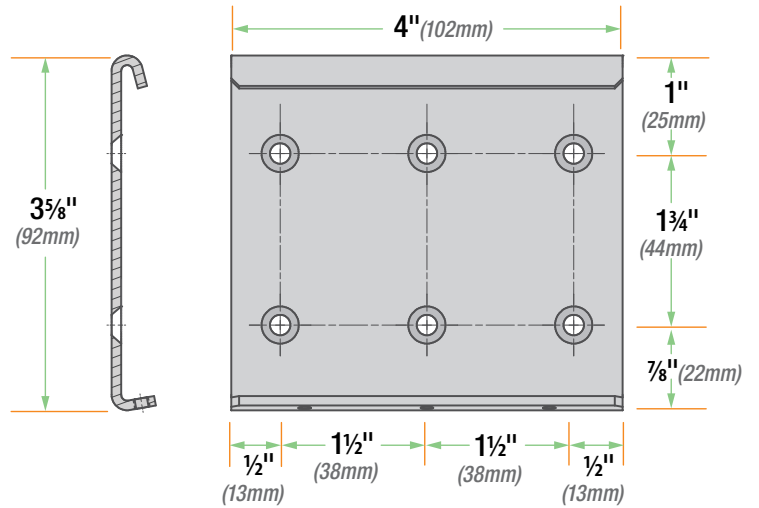


Section 9 - Dimensions: Components

Headbox

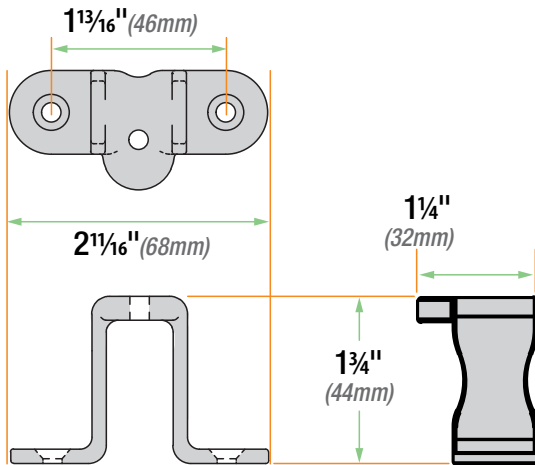


Wall Mounting Bracket

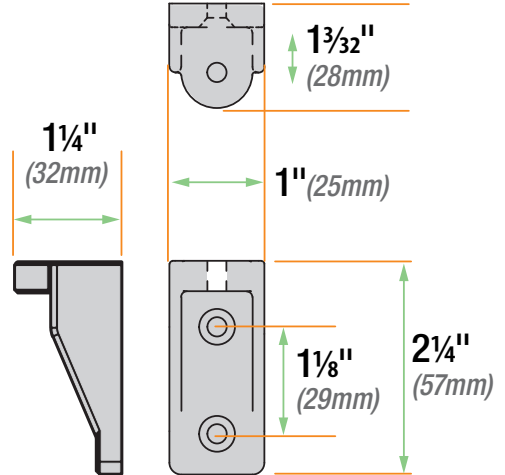


NOTE: Mounting brackets attach to surface with #10 Flat Head Screw.

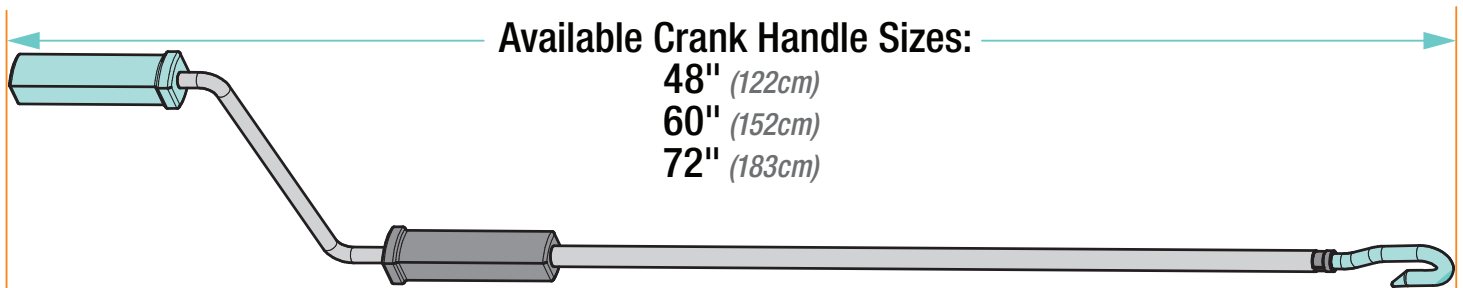
Cable Guide - Deck Mount



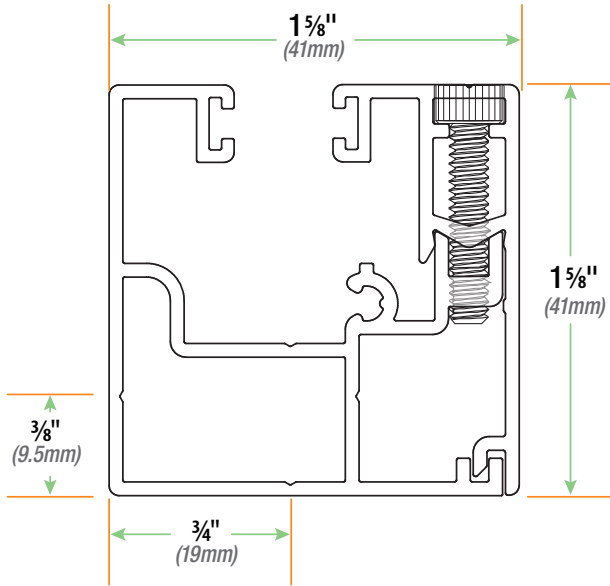
Cable Guide - Wall Mount



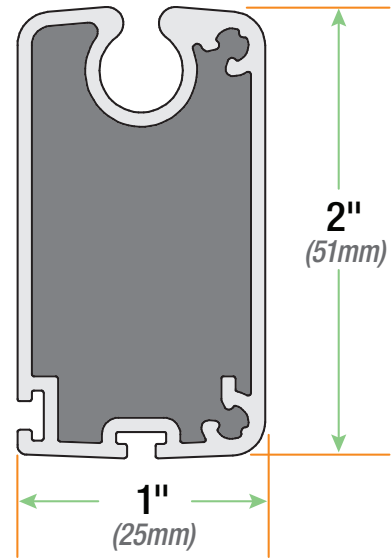
Crank Handle



Side Channel



Hem Bar



Optional Channel Adaptors

