

ONDEIS™ WIREFREE RTS RAIN & SUN SENSOR

PART # 9019617



OVERVIEW:

The Ondeis™ WireFree RTS is a solar powered combination rain and sun sensor compatible with Radio Technology Somfy® motorized exterior products, including awnings, rolling shutters and screens. The Sensor monitors rain and sun levels and automatically activates RTS motorized products once user selected thresholds are passed.



WHAT'S IN THE BOX:

- Ondeis™ WireFree RTS Optical Rain & Sun Sensor with a mounting plate and 2 round head wood screws
- Gutter mount:
 - 1 Aluminum gutter-mount bracket
 - 2 Socket head screws

OPTIONAL ACCESSORIES:

- Telis 1 Soliris # 1810647
- Telis 4 Soliris # 1811243

FEATURES SUMMARY:

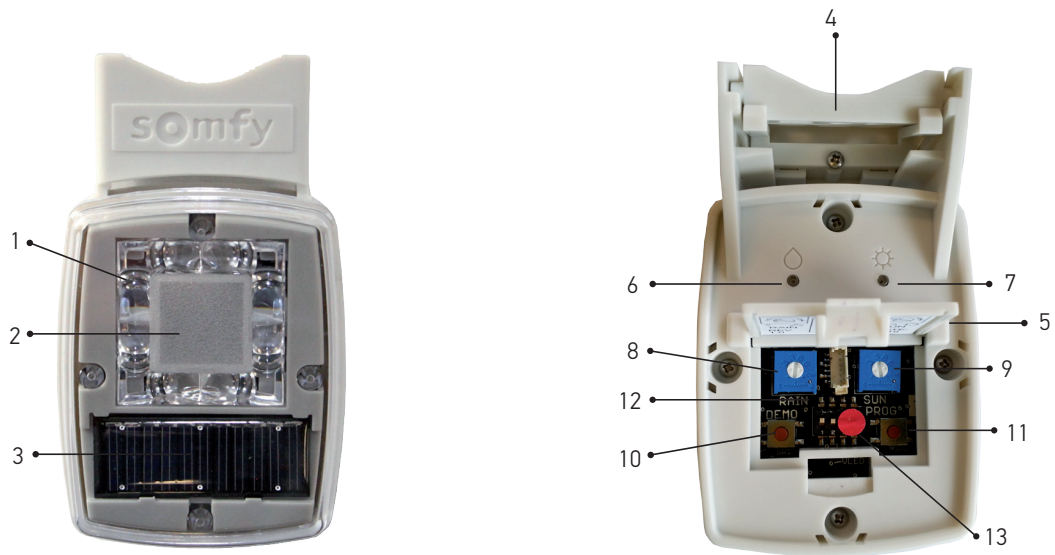
- Combination rain and sun sensor
- Control one channel of Radio Technology Somfy® motorized products
- Solar powered rechargeable battery
- Adjustable rain and sun thresholds
- Wireless installation with flexible mounting options
- Six available modes of operation:
 - Awning Rain (default)
 - Awning Sun (requires Telis Soliris Transmitter)
 - Awning Rain & Sun (requires Telis Soliris Transmitter)
 - Shutter/Screen Rain
 - Shutter/Screen Rain & Sun
 - Shutter/Screen Rain & Auto Up
- Demo mode for testing configurations
- 2 easy-to-read LED indicator lights

TECHNICAL SPECIFICATIONS:

- Power: Solar powered
- Material: ABS
- Dimensions: 4.53"L (115mm) x 2.60"W (66mm) x 1.97"D (50mm)
- Maximum Range: 65ft under optimal conditions
- Rain sensitivity:
 - The lowest setting (fully counter clockwise [CCW]) will react to very light rain 2-4 drops 1-2mm within 1-2 seconds or condensation or fog heavy enough to cause a drop to run down sensor.
 - The highest setting (fully clockwise [CW]) will react only to very heavy rain 1-2" per hour
- Sun Sensitivity
 - Sun level threshold adjustable from 0.5 (CCW) to 50 klux (CW)
- Operating Temperature Range:
 - Storage: -4F to 140 F (-20oC to +60oC)
 - Operational: 32F to 140 F (0oC to +60oC)
- Frequency: 433.42Mhz
- Shipping Weight: 1lb
- IP Rating: IP55
- Approvals: FCC

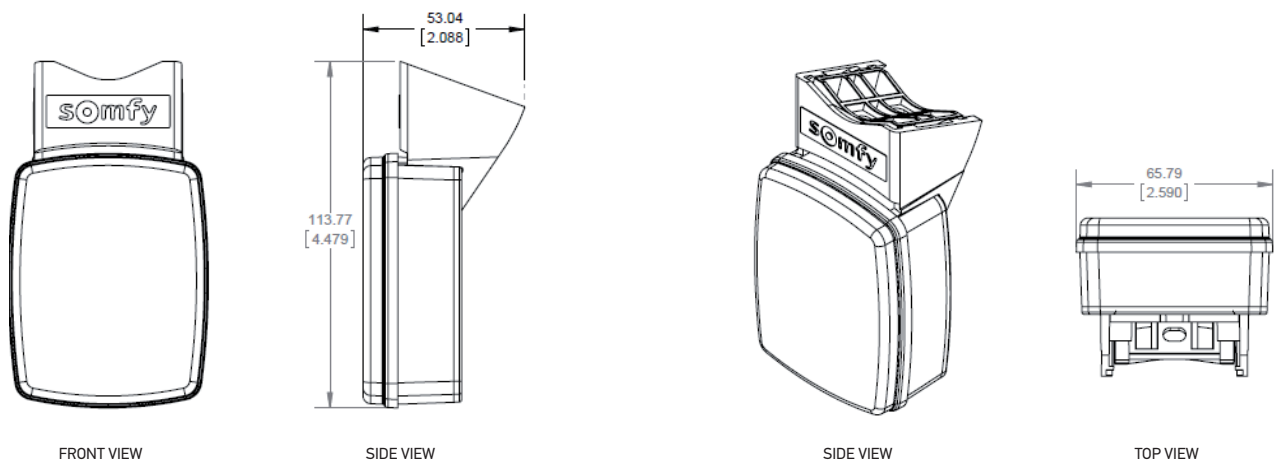


CONNECTIONS AND INDICATORS:



	ELEMENT	FUNCTION
1	Optical Rain Sensor	Senses rain levels
2	Sun Sensor	Senses brightness levels
3	Solar Charging Panel	Charges battery
4	Mounting Plate	Allows for easy wall, pole or gutter mount
5	Hatch	Protects the dials and switches
6	Rain Sensor LED	Provides visual feedback of the rain function
7	Sun Sensor LED	Provides visual feedback of the sun function
8	Rain Threshold Dial	Sets threshold levels of rain sensing levels
9	Sun Threshold Dial	Sets threshold levels of sun sensing levels
10	Demo Button	Used to test/demonstrate settings
11	Programming Button	Used for RTS programming
12	Configuration Switches	For mode selection
13	Switch Sticker	Covers the Shutter/Screen mode switches

DIMENSIONS:



D-0038

© Copyright Somfy Systems, Inc. 7/2015