

# Scissor Lift SLX Series



Submittal and Planning sheet

by DRAPER®

Planning sheet submission required with your order or request for quotation. Please mark appropriate response to each numbered item (front and back)

## Specifications—Scissor Lift SLX

\_\_\_\_\_ video projector lifts for projectors weighing up to 350 lbs (158.8kg). White or black powder coat finish. Projector bolts onto operating pan, or mounts to pan with mounting bracket (by others). Electrically operated 110-120V AC, 60 Hz. UL recognized gearmotor, with metal chain drive system, to be lifetime lubricated.

Projector to be suspended from steel pan supported by steel scissor arms and operated by two,  $\frac{3}{16}$ " (4.7625 mm) aircraft cables with 4200 foot/pounds tensile strength per cable.

Equipped with 3 sets of stabilizing scissors, positioned on the left, right, and rear sides. Also equipped with fail-safe inertial safety belt system and Cable Management System with projector power cord. Factory set limit switches to automatically stop travel at store, show, and service positions. Single Station Low Voltage Control, standard, consists of one 3-button wall switch to lower lift from "stored" to "show" position, and one momentary key switch to lower lift to "service" position.

**Please Note:** Outlet switches off when the lift hits up limit position.

Scissor Lift SLX is approved to **UL 2442** and **CSA C22.2 No. 60065-03**.

**Optional Current Sensor** available.

**Optional Environmental Air Space Housing:** Consists of suitable painted steel panels for use in return air plenum situations. Includes trim ring for ceiling opening. Two sizes available.

**Optional ceiling closure panel:** Finished in white baked textured powder coat, shall descend smoothly with projector. Two sizes available.

**Ceiling Finish Kit:** Finished white. Trims ceiling opening when required. Consists of trim ring and closure panel. Two sizes available.

**Factory-installed control cables** available.

**Please Note:** The Scissor Lift SLX should be specified in conjunction with a Draper motorized screen.

**Optional Ceiling Access Door:** Provides access to projector and lift when unit is installed above hard ceiling. Two styles: White painted finish or accepts ceiling tile.

Patented by Draper, Inc.

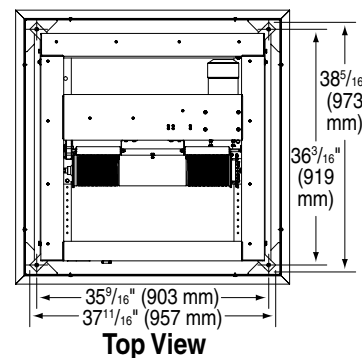
**Patent information available at <http://www.draperinc.com/legal/patents/>**  
**Downloadable 3-part specifications are available at [www.draperinc.com](http://www.draperinc.com).**

- ① **Select one model based on the maximum exact distance you need the projector to descend from "store" position to "service" position.**

Draper does not recommend setting show position at the maintenance/ service position. For example, if you wish to have 8' (2.4 m) Show position, order a lift with at least a 10' (3 m) maintenance position.

## Scissor Lift—SLX Series

Quantity	Model	Table A	
		Closed Height	Extended Height
<input type="checkbox"/> 10 ft.—Model SLX10	SLX10	14 $\frac{1}{16}$ " (36 cm)	10'7" (232 cm)
<input type="checkbox"/> 14 ft.—Model SLX14	SLX14	16 $\frac{5}{16}$ " (42 cm)	14'2" (432 cm)
<input type="checkbox"/> 17 ft.—Model SLX17	SLX17	18 $\frac{9}{16}$ " (47 cm)	17'8" (538 cm)
<input type="checkbox"/> 21 ft.—Model SLX21	SLX21	20 $\frac{13}{16}$ " (53 cm)	21'3" (648 cm)
<input type="checkbox"/> 24 ft.—Model SLX24	SLX24	23 $\frac{1}{16}$ " (60 cm)	24'9" (754 cm)
<input type="checkbox"/> 28 ft.—Model SLX28	SLX28	25 $\frac{5}{16}$ " (65 cm)	28'5" (866 cm)



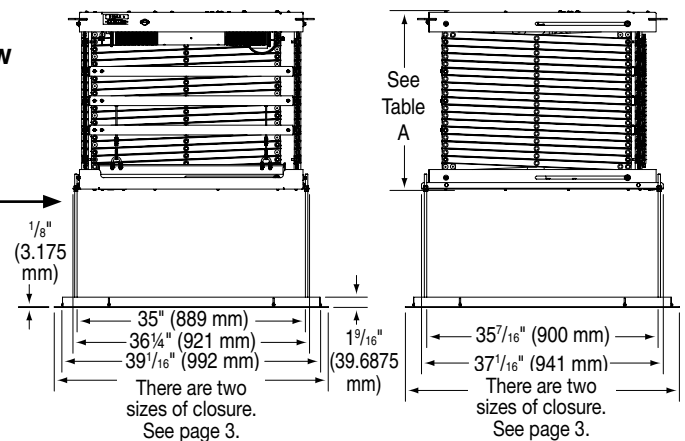
For drawings/dims with Environmental Air Space Housing, see page 3.

- ② **Standard, factory set "show" position is 36" (914 mm) below "store" position. "Show" position can be adjusted after installation. For "show" position of more or less than 36" (914 mm), list show position: \_\_\_\_\_**

- ③ **Select Powder Coat Finish:**

- White (Standard)     Black  
 Trim Ring Only (Standard)  
 Entire Environmental Air Space Housing (Optional)

21  $\frac{3}{8}$ " (406 mm) threaded rod included. Can be cut down to match projector and mount dims.



DRAPER SALESPERSON: \_\_\_\_\_

CUSTOMER CONTACT: \_\_\_\_\_

SIGNATURE: \_\_\_\_\_

(Continued on Page 2)

DEALER NAME: _____
PROJECT NAME: _____
P.O. #: _____
DATE: _____



Draper, Inc. | 411 S. Pearl St. Spiceland, IN 47385  
draperinc.com | 765.987.7999 | 800.238.7999

**④ Select Optional Accessories**

- Optional **Ceiling Access Door** (2' x 2' [60 x 60 cm]) to allow access above finished ceiling (highly recommended).
  - White Painted Finish     Accepts Ceiling Tile
- Optional **Environmental Air Space Housing**: Optional ceiling closure panel not included (see page 3).
  - SLX     SLXR
- Optional **Ceiling Closure Panel**: Pairs with Environmental Air Space Housing. Installs with ceiling trim lip or as Lipless Closure (see page 3).
  - SLX     SLXR
- Optional **Ceiling Finish Kit**: Ceiling closure panel and mating trim kit used to finish ceiling opening when no Air Space Housing is needed (see page 3).
  - SLX     SLXR
- Optional **Universal Projector Mount** (max. load 26 lbs.).
- Optional **Current Sensor**. *(Please Note: Optional Current Sensor may reduce projector space available. Contact Draper).*

**⑤ Select factory installed hookup for RGB, Video and Projector Control?**

*(Note: Cables are Optional, not plenum rated and are shielded)*

- Yes**     **No**
- What type of connectors do you need? (Inputs to Projector and Outputs at top of Lift)
  - BNC**                      How Many? \_\_\_\_\_
  - 15 Pin HD**                How Many? \_\_\_\_\_
  - RCA**                        How Many? \_\_\_\_\_
  - S-Video**                  How Many? \_\_\_\_\_
  - RS232 (DB9)**              How Many? \_\_\_\_\_
  - Cat 6**                      How Many? \_\_\_\_\_
  - HDMI**                      How Many? \_\_\_\_\_

\* Please note: There is a limit of seven (7) video, RGB and control cables per Scissor Lift.

**⑥ Select Voltage:**

- 110-120V
- 220-230V

**⑦ Select Low Voltage Controls: This unit comes with one 3-Button Wall Switch and one Momentary Key Control. For other switching options, please select from below:**

- Replace 3-Button Wall Switch with optional second Momentary Key Control (SP-KSM)
- Optional Key Operated Power Supply Key Switch (On-off)
- Optional R2D7 RS232 interface for Serial Communication (Controls the "Show" position only)

**⑧ Will this unit be controlled by other equipment?**

- No.
- Yes. What kind of equipment? \_\_\_\_\_

**SLX Scissor Lift – Dimensions & Data**

	SLX10	SLX14	SLX17	SLX21	SLX24	SLX28
Height of lift in closed position <sup>1</sup>	14 <sup>1</sup> / <sub>16</sub> " (36 cm)	16 <sup>5</sup> / <sub>16</sub> " (41 cm)	18 <sup>9</sup> / <sub>16</sub> " (47 cm)	20 <sup>13</sup> / <sub>16</sub> " (53 cm)	23 <sup>1</sup> / <sub>16</sub> " (59 cm)	25 <sup>5</sup> / <sub>16</sub> " (64 cm)
Max. down travel (to service position)	10'7" (323 cm)	14'2" (432 cm)	17'8" (538 cm)	21'3" (648 cm)	24'9" (754 cm)	28'5" (866 cm)
Net weight—lbs.	213	230	260	275	289	303
Net weight—kg	98	104	118	125	131	137
Approx. travel time <sup>2</sup> (to service position)	1 min. 43 sec.	2 min. 24 sec.	2 min. 55 sec.	3 min. 36 sec.	4 min. 7 sec.	4 min. 48 sec.

<sup>1</sup> Height of Scissor Lift in closed position only. Overall height of projector, plus optional mount, plus optional ceiling closure, plus optional Environmental Air Space Housing adds to overall height of equipment installed above ceiling.

<sup>2</sup> Up direction with full load of 350 lbs. "Down" travel time or lighter loads will have shorter travel times.

**Lipless Ceiling Closure Dimensions (Optional)**

	SLX	SLXR
<b>Width</b>	39 <sup>1</sup> / <sub>8</sub> " (994 mm)	39 <sup>1</sup> / <sub>8</sub> " (994 mm)
<b>Depth</b>	39 <sup>1</sup> / <sub>8</sub> " (994 mm)	45 <sup>1</sup> / <sub>8</sub> " (1146 mm)

*Lipless Closure Option* is available by removing the Trim Ring from the Closure Panel. A substrate material (ceiling tile, gypsum board, etc.) can be attached directly to the Closure Panel using adhesive, double-sided tape or screws.

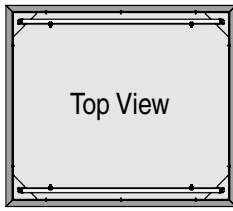
**NOTE: Make sure the added weight of the substrate does not exceed the stated weight capacity of the lift.** Substrate should be installed so that it is centered within the finished opening in the ceiling, with a gap of no less than <sup>3</sup>/<sub>16</sub>" around all edges.

**DRAPER SALESPERSON:** \_\_\_\_\_

**CUSTOMER CONTACT:** \_\_\_\_\_

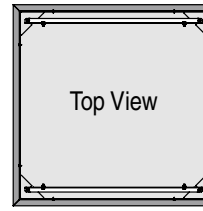
**SIGNATURE:** \_\_\_\_\_

## Optional Ceiling Closure Dimensions



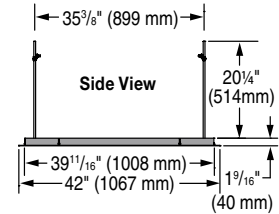
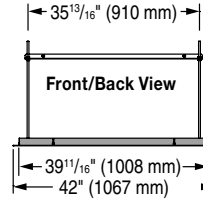
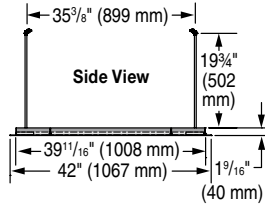
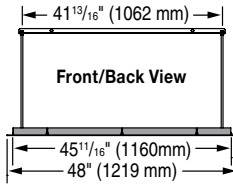
**SLXR**

Net Weight:  
39 lbs (18 kg)

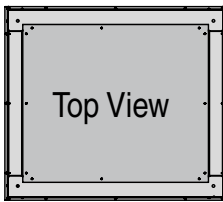


**SLX**

Net Weight:  
34 lbs (15 kg)

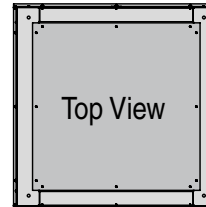


## Optional Environmental Air Space Housing Dimensions



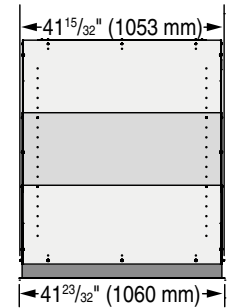
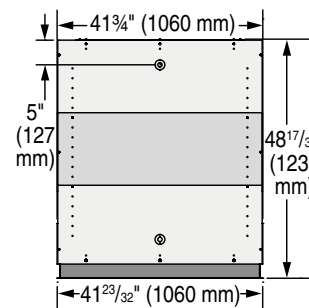
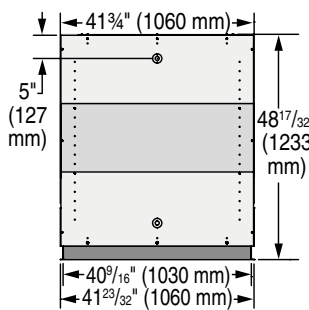
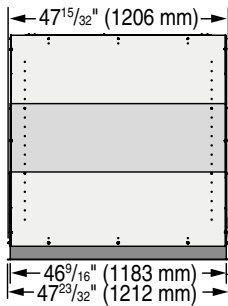
**SLXR**

Net Weight:  
208 lbs (94 kg)

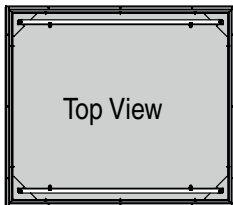


**SLX**

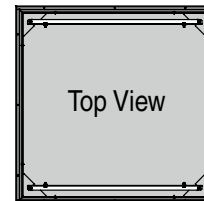
Net Weight:  
192 lbs (87 kg)



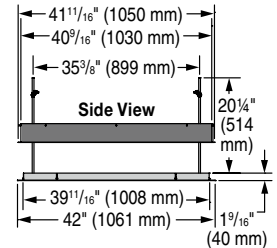
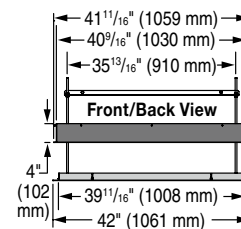
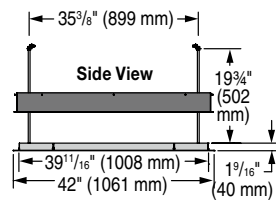
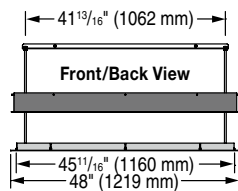
## Optional Ceiling Trim Kit Dimensions



**SLXR**



**SLX**

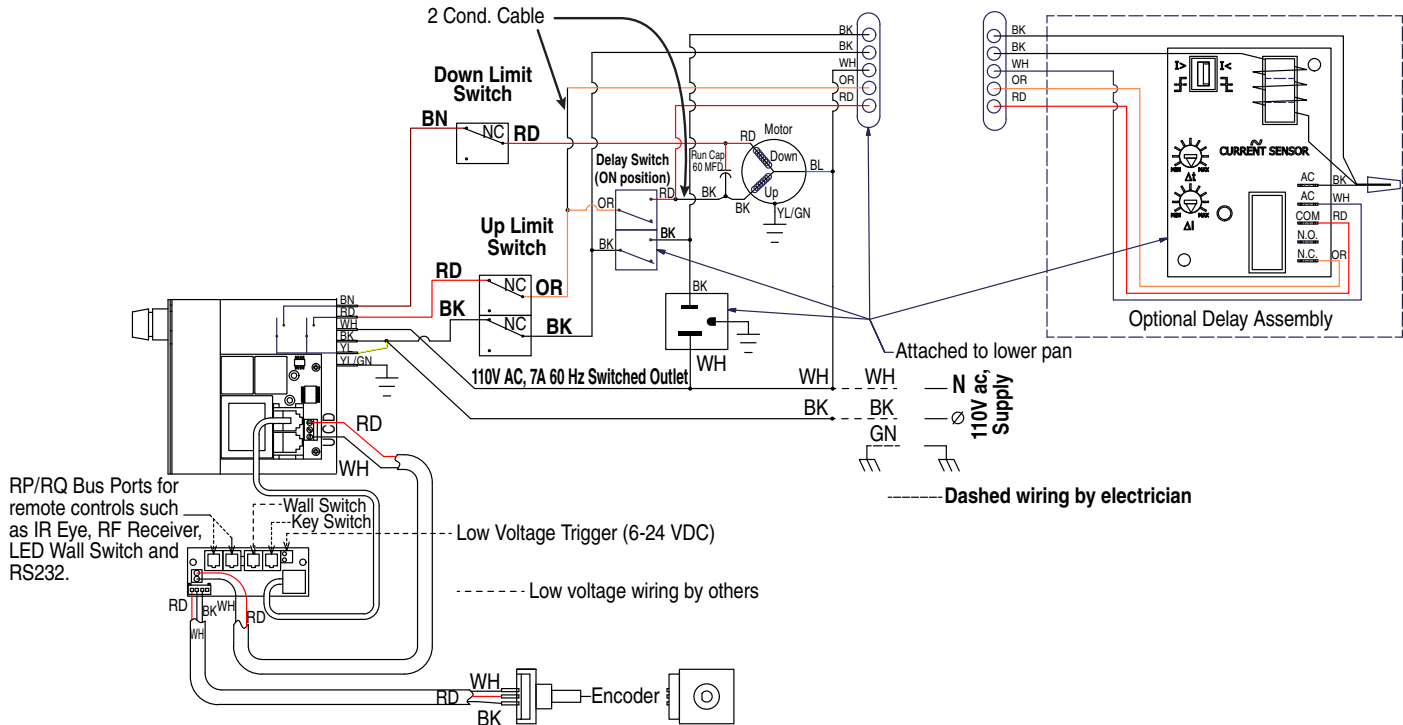


DRAPER SALESPERSON: \_\_\_\_\_

CUSTOMER CONTACT: \_\_\_\_\_

SIGNATURE: \_\_\_\_\_

## Wiring Diagram



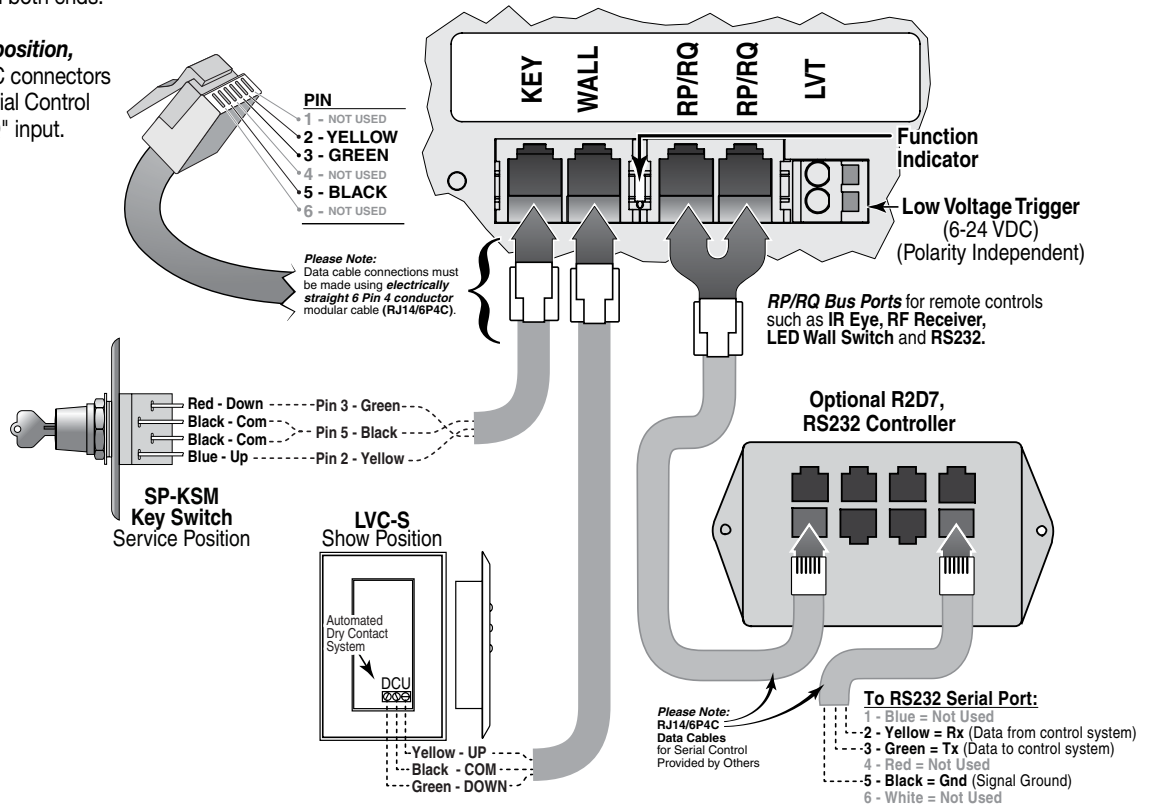
## Connecting Controls to Data Cable Splitter Board

Controls plug into the **Data Cable Splitter Board** (See diagram below) which is located on the Top Frame on the front side of the lift, using **RJ14/6P4C connectors**.

**For IR or RF Remote Control**, use data cable with RJ14/6P4C connectors on both ends.

**For serial control of "Show" position**, use data cable with RJ14/6P4C connectors on both ends and an R2D7 Serial Control Interface. Plug into the "RP/RQ" input.

## DETAIL OF DATA CABLE SPLITTER BOARD



**Please Note:**  
Any control, including automated dry contact systems, being connected to the wall switch input **MUST** send a momentary signal.

DRAPER SALESPERSON: \_\_\_\_\_

CUSTOMER CONTACT: \_\_\_\_\_

SIGNATURE: \_\_\_\_\_