

Medium Universal Projector Mount

INSTALLATION INSTRUCTIONS

Section 1 - Assembling the Universal Projector Mount

1. Determine the number of mounting points required for the projector and the distance between them.

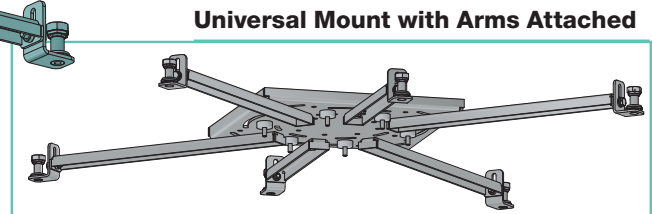
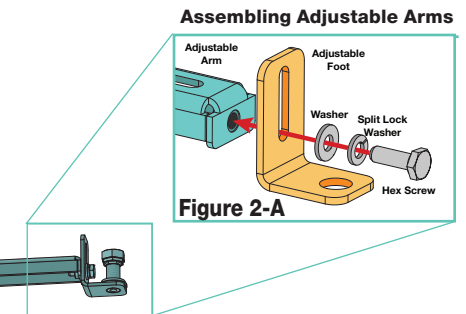
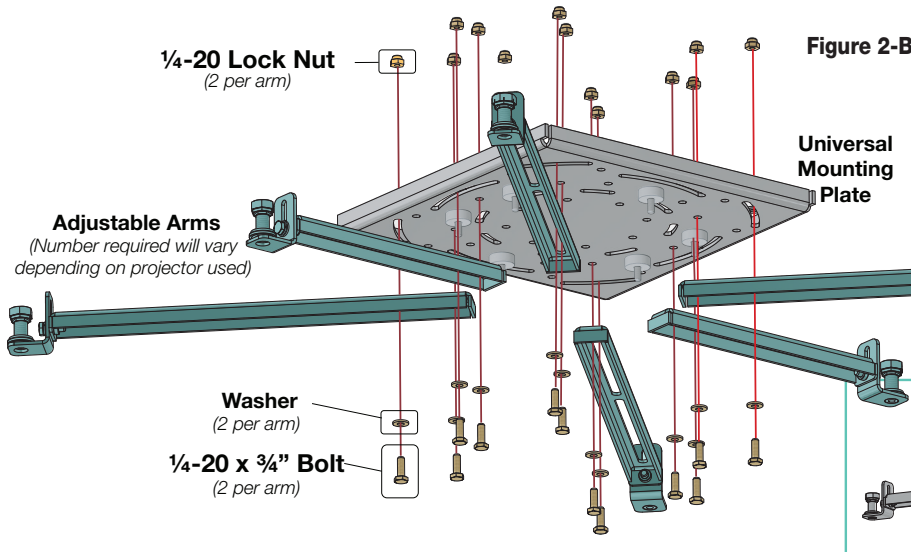
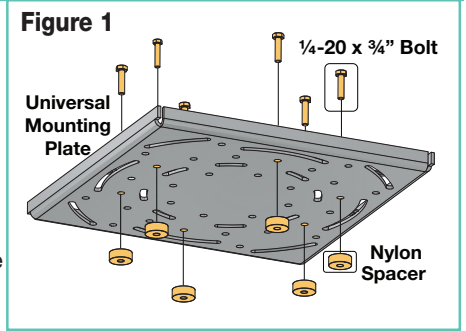
Section 1.1 - Small Projectors (mounting points less than 12" [30.5cm] apart)

1. Secure projector to universal mounting plate by inserting the 1/4-20 x 3/4" bolts through any of the provided holes, then nylon spacers and then thread **directly into projector mounting holes** (see Figure 1 at right).

Section 1.2 - Large Projectors (mounting points greater than 12" [30.5cm] apart)

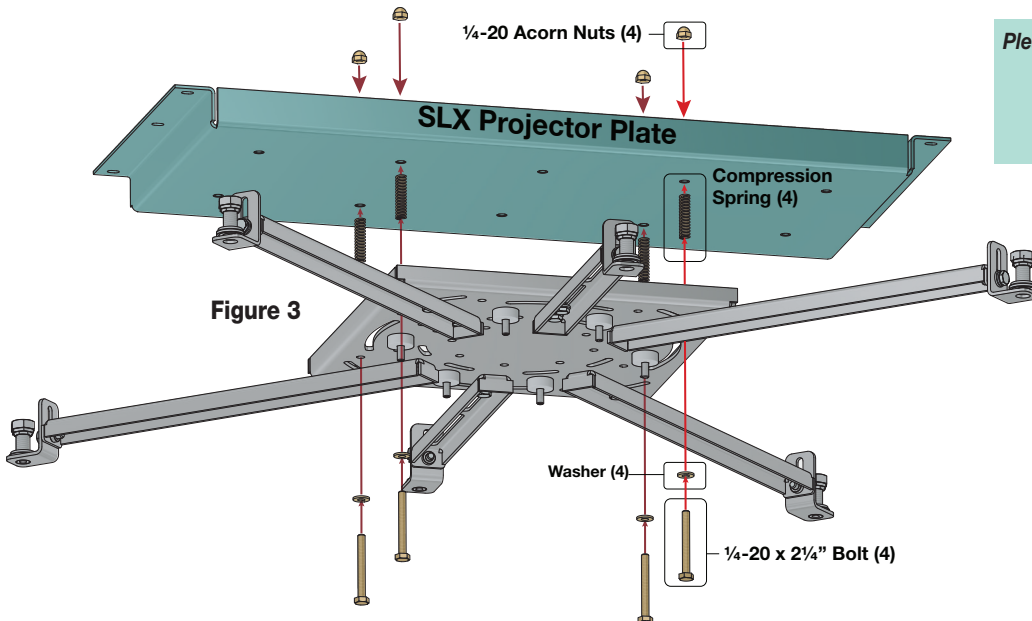
Each universal projector mount has eight (8) adjustable arms included: 4 Long and 4 Short.

1. One adjustable arm will be used per mounting point. Attach the adjustable foot to the end of each adjustable arm using the provided hardware (see Fig 2-A)
2. Secure each of the adjustable arms to the universal mounting plate by threading two (2) of the 1/4-20 x 3/4" bolts (with washers) through the provided slots in each of the Adjustable Arms, then through the universal mounting plate (see Figure 2-B below). Secure with provided 1/4-20 lock nuts.

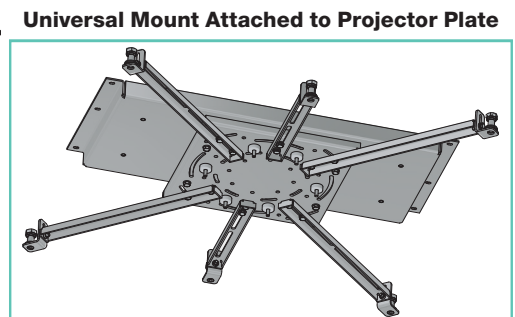


Section 2 - Attaching Universal Projector Mount to Projector Plate

1. Remove the projector plate from the projector lift prior to installing the universal projector mount.
2. Thread four (4) 1/4-20 x 2 1/4" bolts with washer through the provided holes in the universal mount plate, then through the four (4) compression springs, then through the provided holes in the projector plate. Secure the assembly together using the four (4) 1/4-20 acorn nuts. (See Figure 3).



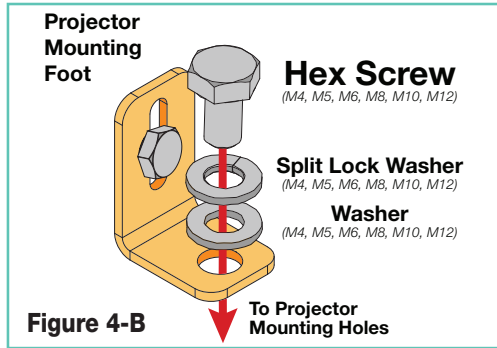
Please note: SLX Projector plate shown in Figure 3. An identical procedure is used for attaching the Universal Projector Mount to provided holes in Scissor Lift and AeroLift 100 / 150 projector plates.



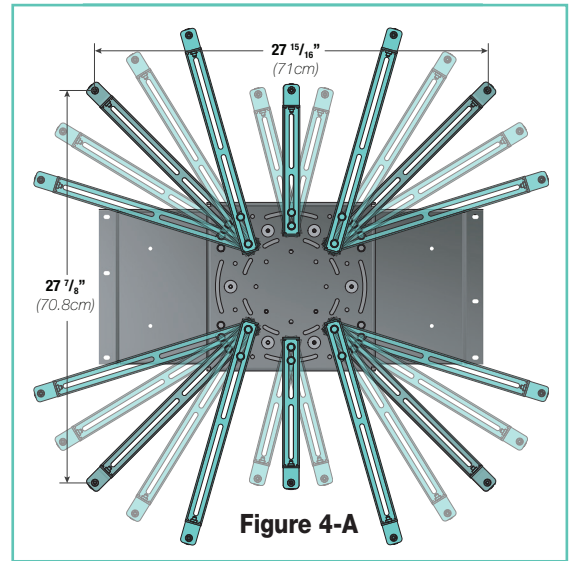
If you have any difficulties installing or servicing your Universal Projector Mount, call your dealer or Draper, Inc.

Section 3 - Installing Projector

1. Determine which size mounting bolts suit your projector (*M4, M5, M6, M8, M10 or M12*), and set others aside. They are no longer required.
2. Spread out adjustable arms (see Fig. 4-A) so each adjustable mounting foot is over one of the mounting holes in the projector.
3. Connect projector to the mounting foot and tighten the mounting bolts (see Fig. 4-B).

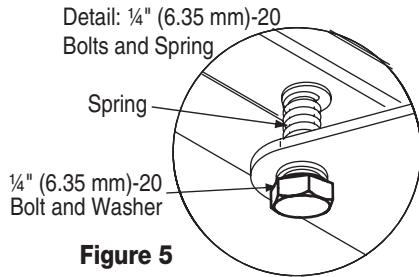


Range of Adjustable Arms



Section 4 - Making Adjustments

Roll & Tilt: Use 1/4-20 bolts and springs which hold Universal Mounting Plate to the Projector Plate (*springs will ensure that projector is held still during motion*).



Section 5 - Dimensions

