

Volleyball Net Winders

by DRAPER

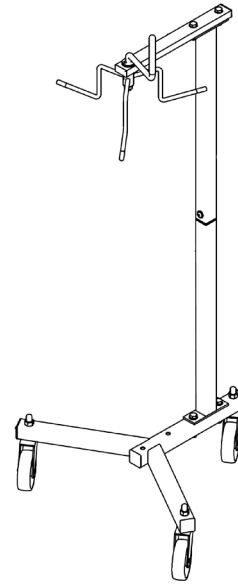
Specifications—Volleyball Net Winders

Volleyball net storage system shall be (501041-Single/501042-Double/501043-Triple) Net Winder by Draper, Inc., of Spiceland, IN.

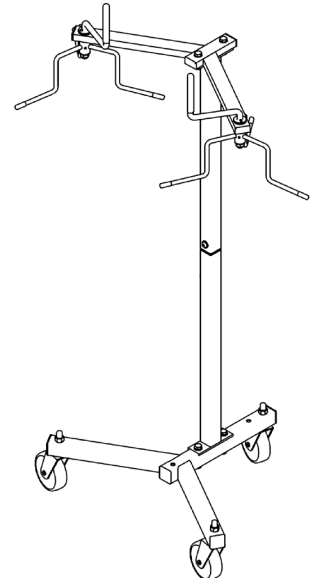
Draper Net Winders are designed to allow users to keep volleyball nets clean, net and tangle free during storage. Net Winders are constructed of rigid 1½" square tubing, are freestanding and easy to move easily on three 4" non-marking swivel casters. Net winder is finished with attractive blue powder coat. Net head band is attached to rotating net hook and is rolled up using crank handle. Net storage bags included for additional protection.

Choose Model

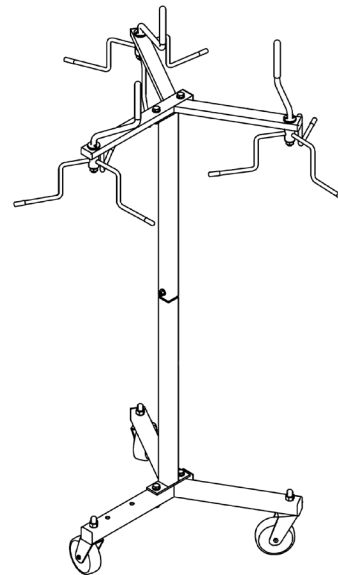
- 501041 – Single Net Winder
- 501042 – Double Net Winder
- 501043 – Triple Net Winder



501041 – Single Net Winder



501042 – Double Net Winder



501043 – Triple Net Winder

DRAPER®

411 S. Pearl St., Spiceland, IN 47385 USA ■ 765-987-7999

www.draperinc.com ■ fax 765-987-7142

Copyright © 2013 Draper Inc. Form VB-NetWinders_Sub13

Printed in U.S.A.

PROJECT: _____

ARCHITECT: _____

CONTRACTOR: _____

SUPPLIER: _____

DATE: _____ REVISED: _____