

## Specifications—Targa

\_\_\_\_\_ projection screens, size \_\_\_\_\_ h.  
x \_\_\_\_\_ w., Electrically operated 110-120V  
AC, 60 Hz. 3-wire motor mounted inside screen roller, 1.1  
amp draw, instantly reversible, lifetime lubricated, with internal  
thermal overload protector and electric brake, with preset limits.  
Roller to be 3" dia. metal, mounted on rubber insulated sup-  
ports. Viewing surface to be fire retardant and mildew resistant.  
Matt White XT1000E and Contrast Grey XH800E viewing sur-  
faces are certified to GREENGUARD standards for low chemical emissions  
into indoor air during product usage. For more information, visit [ul.com/gg](http://ul.com/gg).  
Note: Matt White XT1000E surfaces up to 10' high will be seamless. Bottom of  
viewing surface attached to weighted dowel. Case of 22 ga. steel with flat back  
design and scratch-resistant white polyester finish. Case formed from one



piece steel. Endcaps finished to match case, forming universal hanging brack-  
ets. 3-position control switch to stop or reverse screen at any point. Switch  
complete with cover plate. Optional white aluminum Ceiling Opening Trim Kit  
available to trim opening when screen is to be recessed above the ceiling.  
Entire unit certified by Underwriters' Laboratories, Inc. for the U.S. and Canada.  
**Downloadable 3-part specifications are available at [www.draperinc.com](http://www.draperinc.com).**  
Specifications subject to change without notice.

## Dimensions & Data

### AV Format

Size H x W	Case Length	Net Wt. (lbs.)	Qty.	Size H x W	Case Length	Net Wt. (lbs.)	Qty.
50" x 50"	56½"	26		7' x 9'	115"	47	
60" x 60"	66½"	30		9' x 9'	115"	49	
70" x 70"	76½"	35		8' x 10'	127"	54	
84" x 84"	90½"	40		10' x 10'	127"	58	
72" x 96"	103"	44		9' x 12'	151"	61	
96" x 96"	103"	45		12' x 12'	151"	74	

Nominal Diagonal	Image Area H x W	Overall Size	Case Length	Net Wt. (lbs.)	Qty.
---------------------	---------------------	-----------------	----------------	-------------------	------

### 4:3 NTSC Video Format

6'	42½" x 56½"	46½" x 59½"	66½"	30	
7'	50" x 66½"	53½" x 69½"	76½"	35	
100"	60" x 80"	64" x 83½"	90½"	40	
10'	69" x 92"	73" x 96"	103"	44	
11'	78" x 104"	83" x 108"	115"	47	
150"	87" x 116"	92" x 120"	127"	54	
15'	105" x 140"	109" x 144"	151"	61	
200"	118" x 158"	123" x 162"	169"	77	

### 16:9 HDTV Format

65" <sup>3</sup>	31¾" x 56½"	43¾" x 59½"	66½"	29	
73" <sup>3</sup>	36" x 64"	48" x 69½"	76½"	34	
82" <sup>3</sup>	40½" x 72"	52½" x 74"	81"	36	
92" <sup>3</sup>	45" x 80"	57" x 83½"	90½"	40	
100" <sup>3</sup>	49" x 87"	61" x 91"	98"	43	
106" <sup>3</sup>	52" x 92"	64" x 96"	103"	43	
110" <sup>3</sup>	54" x 96"	66" x 100"	107"	45	
119"	58" x 104"	62" x 108"	115"	46	
133"	65" x 116"	69" x 120"	127"	54	
161"	79" x 140"	84" x 144"	151"	70	
184"	90" x 160"	95" x 164"	171"	77	

### 16:10 Format

67" <sup>3</sup>	35¼" x 56½"	47¼" x 59½"	66½"	29	
76" <sup>3</sup>	40" x 64"	52" x 69½"	76½"	34	
85" <sup>3</sup>	45" x 72"	57" x 74"	81"	36	
94" <sup>3</sup>	50" x 80"	62" x 83½"	90½"	40	
109" <sup>3</sup>	57½" x 92"	69½" x 96"	103"	44	
113" <sup>3</sup>	60" x 96"	72" x 100"	107"	45	
123"	65" x 104"	69" x 108"	115"	46	
137"	72½" x 116"	76½" x 120"	127"	54	
165"	87½" x 140"	92½" x 144"	151"	70	
189"	100" x 160"	105" x 164"	171"	85	

### Custom Size

<sup>3</sup> These sizes include 12" black drop as standard.

Also available in 1.85:1, 2.35:1 and 15:9 Formats. Contact Draper.



Targa screens are available in larger sizes.  
See Targa-LargeSizes submittal form.

411 S. Pearl St., Spiceland, IN 47385 USA ■ 765-987-7999

[www.draperinc.com](http://www.draperinc.com) ■ fax 765-987-7142

Copyright © 2017 Draper Inc.

Form Targa\_Sub17

Printed in U.S.A.

## Please Mark Appropriate Selections

### Select Viewing Surface:

- Matt White XT1000E (1.0 gain): GREENGUARD Gold certified
- Argent White XH1500E (1.5 gain) (Thru 8' x 10')
- Contrast Grey XH800E (0.8 gain): GREENGUARD Gold certified
- Other: \_\_\_\_\_

### Select Motor and Controls:

#### Standard Voltage Motor and Control Options:

- 110-120V AC (standard)
- Optional Quiet Motor <sup>1</sup>

Please Note: These motors come with one 110V-120V AC 3-position wall switch (silver wall plate with black rocker).

Total number of 110-120V AC switches (operate independently)

- Substitute white switch(es) for silver wall plate with black rocker
- Optional Key Operated Switch
- Power Supply Key Switch (On-off)
- 3-Position Key Control
- 3-Position Switch with Hinged Key-Locking Coverplate

#### Low Voltage Motor and Control Options:

- Optional External LVC-IV (Low Voltage Control Module)
- Optional Motor with Built-in LVC-IV (increases case length by 2")
- Optional Quiet Motor with Built-in LVC-IV (increases case length by 2") <sup>2</sup>

Please Note: Select Control Options for Low Voltage from below.

- 24 Volt 3-Button Switch Number of 24V switches: \_\_\_\_\_
- Radio Frequency Remote Control (only with 24v)
- Infrared Remote Control (only with 24v)
- Optional Key Operated Switch
- Power Supply Key Switch (On-off)
- 3-Position Switch with Hinged Key-Locking Coverplate

- Optional Video Interface Control (not compatible with other controls)

- VIC-115  Override Switch
  - VIC-12  Override Switch
  - VIC-6  Override Switch
- (VICs are compatible only with the Override Switch, and not with any other wall switches or controls)**

#### Optional Accessories:

- Mounting Brackets
  - 6" Bracket
- Optional Floating Mounting Brackets (for wall and ceiling)
- Extra Screen Drop (Total screen height cannot exceed 12") <sup>3</sup>
  - Same color as viewing surface (standard on AV format screens)
  - Black (standard on all other formats)
- Length of total drop (including standard 12" on some sizes—see grid at below) <sup>2</sup> \_\_\_\_\_
- Black Masking Borders (Optional on AV format sizes; standard all others)
- Optional Ceiling Opening Trim Kit for Recessed Installations <sup>4</sup>

	<sup>1</sup> Quiet Motor Size Limitations			
	AV	NTSC	HDTV	16:10
OptiView Surfaces	144" x 144"	200"	184"	189"

	<sup>2</sup> Quiet Motor with Built-in Low Voltage Controller Size Limitations			
	AV	NTSC	HDTV	16:10
OptiView Surfaces	108" x 144"	180"	184"	165"

<sup>4</sup> Draper recommends 12" extra drop when ordering Ceiling Opening Trim Kit. The Ceiling Opening Trim Kit is for use in an acoustical, drop ceiling only. Not recommended for drywall or hard ceilings.

PROJECT: \_\_\_\_\_

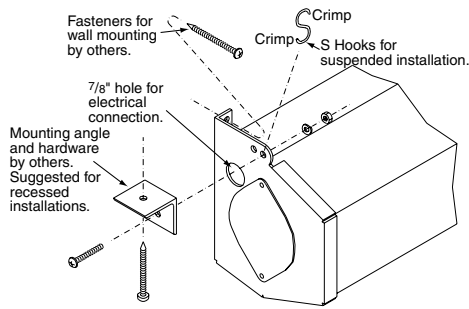
ARCHITECT: \_\_\_\_\_

CONTRACTOR: \_\_\_\_\_

SUPPLIER: \_\_\_\_\_

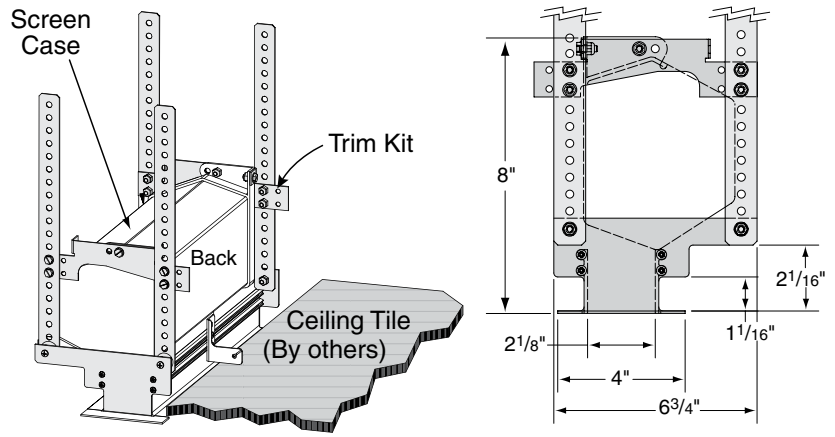
DATE: \_\_\_\_\_ REVISED: \_\_\_\_\_

## Methods of Installation



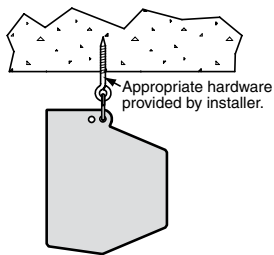
**Please Note: If using "S" Hooks, for added safety, crimp both ends of the "S" hooks so the screen cannot come off.**

## Optional Ceiling Opening Trim Kit

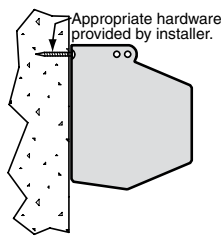


## Types of Installation

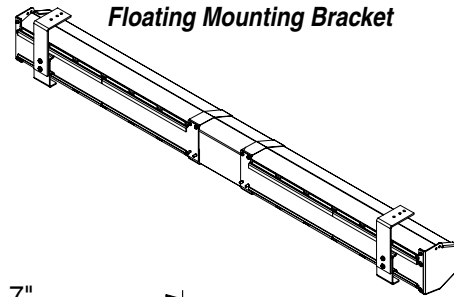
### Suspended



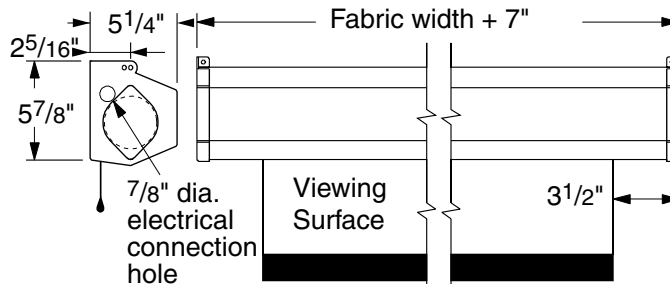
### Wall Mounted



### Floating Mounting Bracket



## Case Dimensions

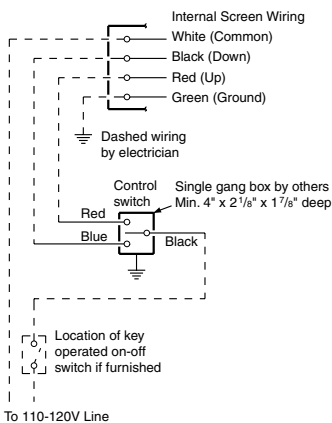


**PLEASE NOTE:**  
Built-In LVC-IV will increase overall case length by 2".

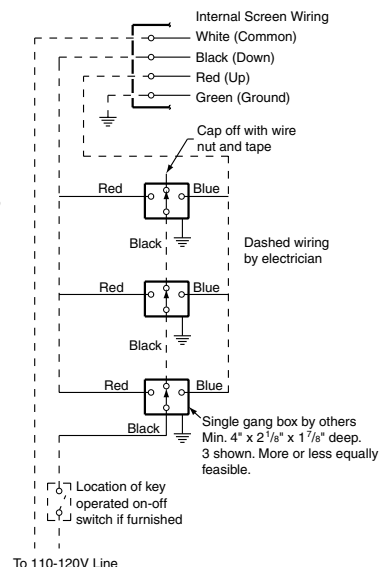
## Wiring Diagrams\*

### 110-120V Motor and Quiet Motor

#### Single Station Control

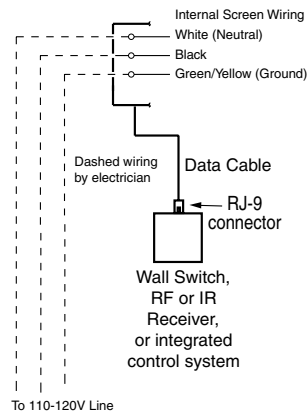


#### Multiple Station Control

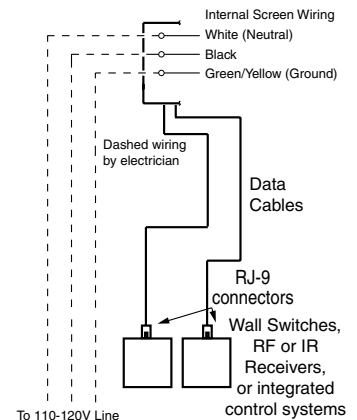


### 110-120V Motor and Quiet Motor with Built-in Low Voltage Controller

#### Single Low Voltage Control



#### Multiple Low Voltage Controls



**\* For more information and wiring diagrams for serial and network communication, please see wiring diagrams supplied with individual items.**

**Please Note: For low voltage (LVC-IV not built-in), serial (LVC-IV) and network (LVC-IV & LS101) wiring diagrams, please consult instructions for those modules.**

PROJECT: \_\_\_\_\_  
 SUPPLIER: \_\_\_\_\_  
 DATE: \_\_\_\_\_ REVISED: \_\_\_\_\_