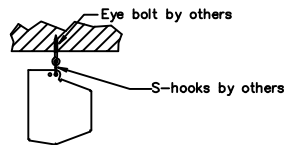
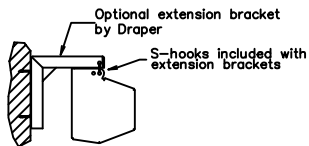


Luma 2 Wall Mounting Suggested Method

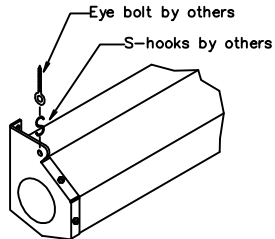


Luma 2 Ceiling Mounting Suggested Method

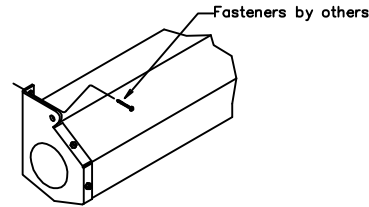


Luma 2 Projected Mounting Suspended from ext. bracket

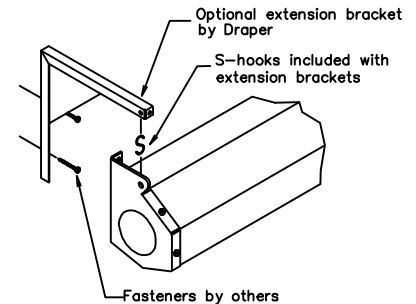
Mounting Details



Ceiling Mounting Suggested Method

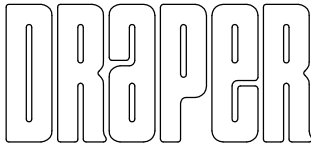


Wall Mounting Suggested Method



Projected Mounting Suspended from ext. bracket

Isometric Mounting Details  
Not To Scale

|   |                  |   |  |
|---|------------------|---|--|
|  |                  | DRAPER Inc.<br>411 S. Pearl St.<br>Spiceland, Indiana |  |
|   |                  | Title <span style="font-size: 2em;">Luma 2</span>     |  |
|   |                  | Sheet 1 of 1  |  |
| Scale<br>$3/4" = 1'$  | Date<br>7/9/2012 | Part NO.  |  |