

220-240V **LVC-IV** Low-Voltage Control Module

WIRING INSTRUCTIONS

Section 1 - Overview

The LVC-IV module contains a 3-screw terminal block for a low-voltage wall switch, an IR receiver jack, a built-in RF receiver, two-RJ25 ports for RS232 / RS485, a low-voltage relay port with cable and a user-serviceable 3.15 Amp fuse.

Compatible components for each are listed below.

Uses

IR (Infrared) Remote Control

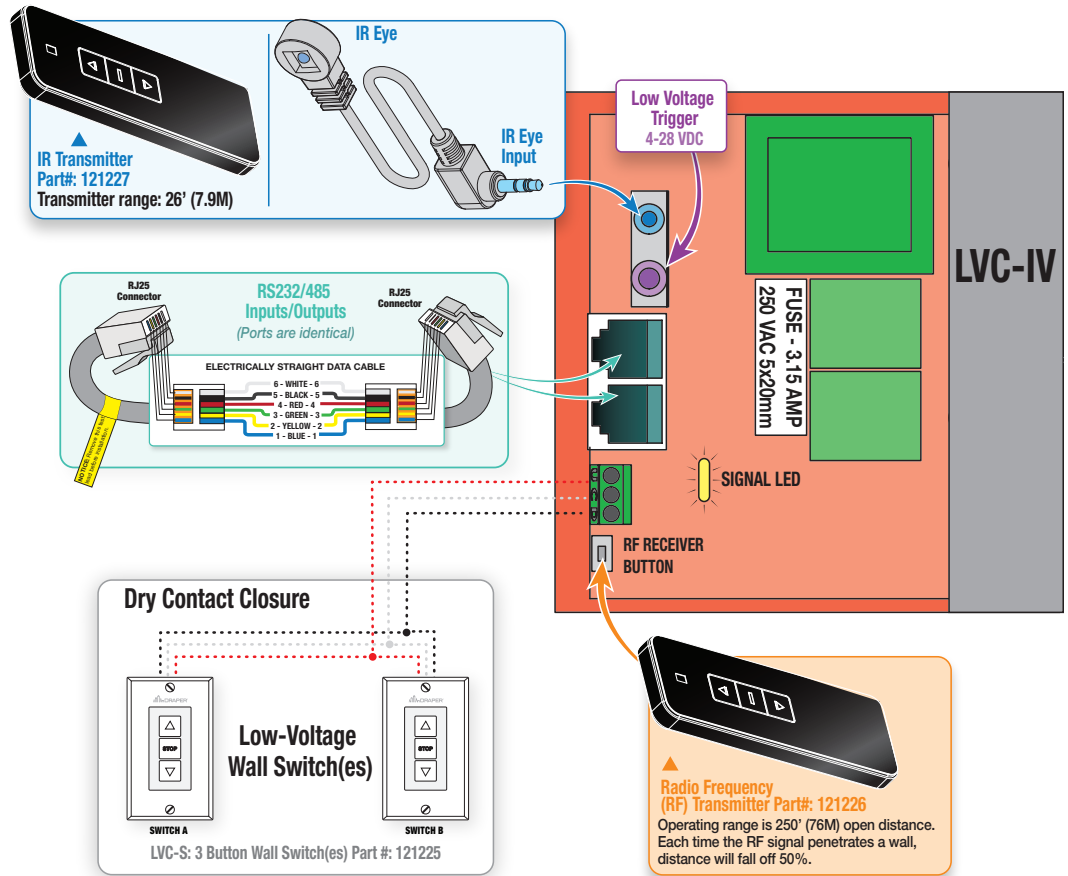
RJ25 Ports for RS-232/RS-485 Communication

Low-Voltage Wall Switch

“Dry” Contact Closure

RF (Radio Frequency) Remote Control

3rd Party Control
Control systems employing “dry” contacts or Serial Communication.



Technical Specifications:	
Power Supply:	230V / 50Hz
Temperature:	-40° C – 85° C
Frequency:	433 MHz
Power:	<300W
Transmit Power:	<10mW
Sensitivity:	-110dBm
Fuse:	3.15 Amp

The 230V LVC-IV also used as a Single-Pole, Double-Throw dry closure to control equipment by the same means listed above.


COMPATIBLE COMPONENTS		PART NO.
IRT / R	Infrared Remote Control (Connects to IR Port)	121228
WRT / R	Radio Frequency Remote (antenna built in)	121226
LVC-S	Low-Voltage Wall Switch.	121225
	Low-Voltage Wall Switch w/ Locking Cover	121232
KS-1	Power Supply Key Switch.	121017
SP-KSM	3-position Momentary Key Switch (Please Note: 'Stop' won't work)	121022
Auxillary Control	Control systems employing “dry” contacts or Serial Communication.	By Others

If you encounter any difficulties installing or servicing your LVC-IV, call your dealer or contact Draper, Inc.


Section 2 - Programming Radio Frequency (RF) Remote Control

The LVC-IV comes with built-in Radio Frequency Remote control capability (*optional handheld transmitter NOT included*).

To "Learn" a remote

1. Press receiver button on LVC-IV (see Fig. 2A).
2. Signal light will flash slowly.
3. Press  (UP) on transmitter within 10 seconds (see Fig. 2B).
4. Signal light flashes three times quickly.

To "Un-Learn" a remote

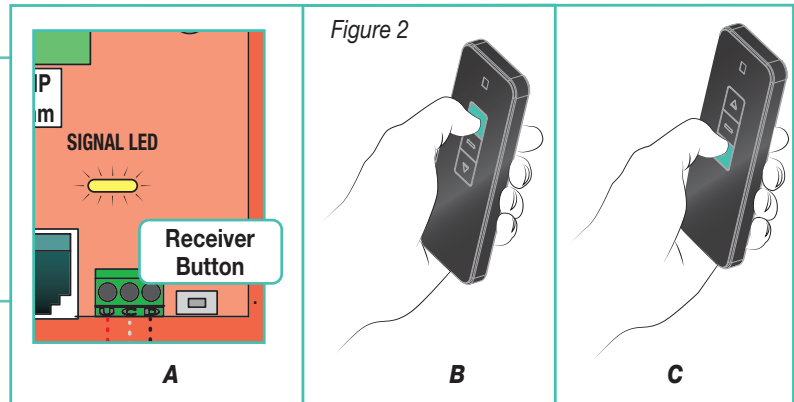
1. Press receiver button on LVC-IV (see Fig. 2A).
2. Signal light will flash slowly.
3. Press  (DOWN) on transmitter within 10 seconds (see Fig. 2C).
4. Signal light flashes three times quickly.

To "Un-Learn" all remotes

1. Press receiver button on LVC-IV until signal light flashes quickly, then release.
2. Press receiver button once while signal light is flashing.
3. Signal light will stop flashing.

Please Note: Operating range is 250ft (76 meters) open distance. RF Signal will degrade significantly with each wall it is required to penetrate.

If you are experiencing issues with RF signal strength, the RF antenna can be threaded out one of the knockouts for better reception.



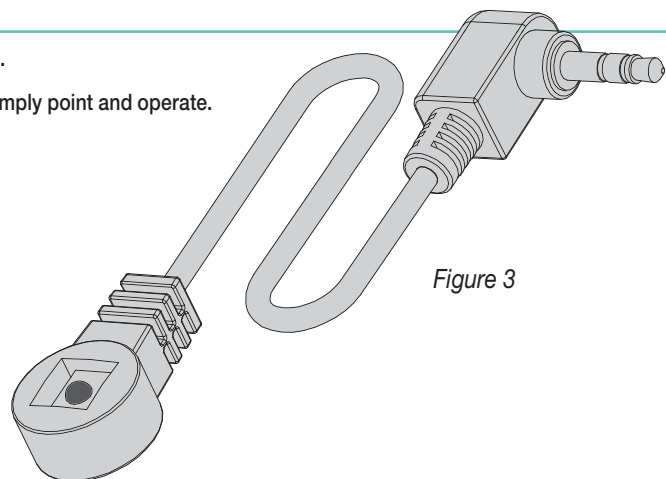
PLEASE NOTE:

1. **RF receiver MUST NOT TOUCH METAL OBJECTS!**
Maximum Distance of Transmitter will be affected negatively.
2. **Disconnect the power supply before installing the RF receiver.**
3. **Avoid electrostatic interference:**
Static electricity will damage the electronic components.
4. **Ensure there is > 5' (1.52M) between RF receiver and ground.**
5. **Ensure there is > 1' (30.5cm) between RF receiver and ceiling.**
6. **Ensure there is > 1' (30.5cm) between RF receiver and transmitter.**
7. **Multiple receivers must be spaced > 8" (20cm) apart.**

Section 3 - Infrared (IR) Remote Control

1. Plug Optional IR Eye into mini plug input provided on LVC-IV (see Figs. 1 and 3).
2. IR Remote Control transmitter does not need to be "learned" by the LVC-IV. Simply point and operate.
3. **Maximum IR Eye cable length is 42" (1 meter).**

Please Note: IR Transmitter Range is 26ft. (7.9 meters).

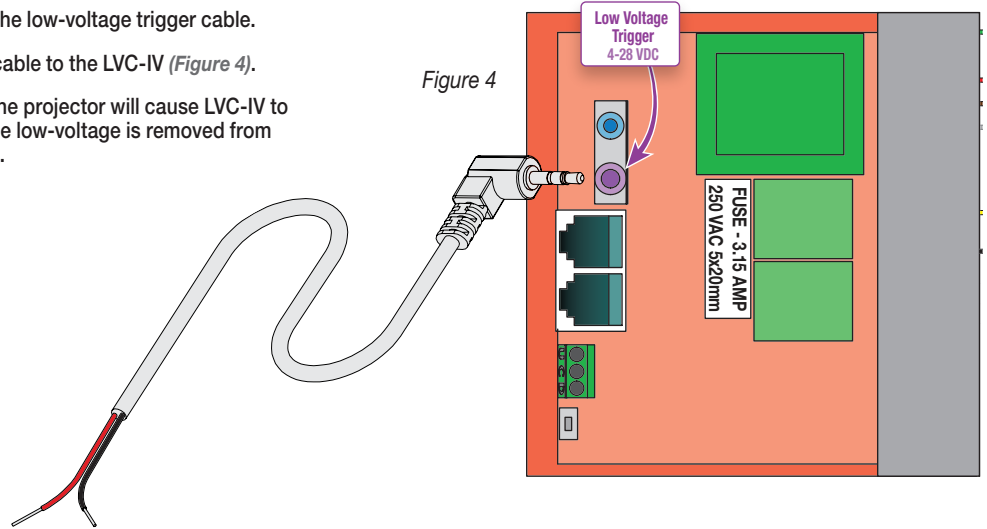


220-240V **LVC-IV** Low-Voltage Control Module

Section 4 - DC Low-voltage Trigger

The LVC-IV comes with built-in connection for sending a DC trigger (4-28 VDC) from the projector to the projection screen.

1. Connect remote trigger voltage from projector to the low-voltage trigger cable.
2. Plug the mini-jack plug of the low-voltage trigger cable to the LVC-IV (Figure 4).
3. When projector is 'ON' the low-voltage output of the projector will cause LVC-IV to deploy projection screen. When projector 'OFF' the low-voltage is removed from LVC-IV and projection screen will retract into case.



Section 5 - RS232 / RS485 Information

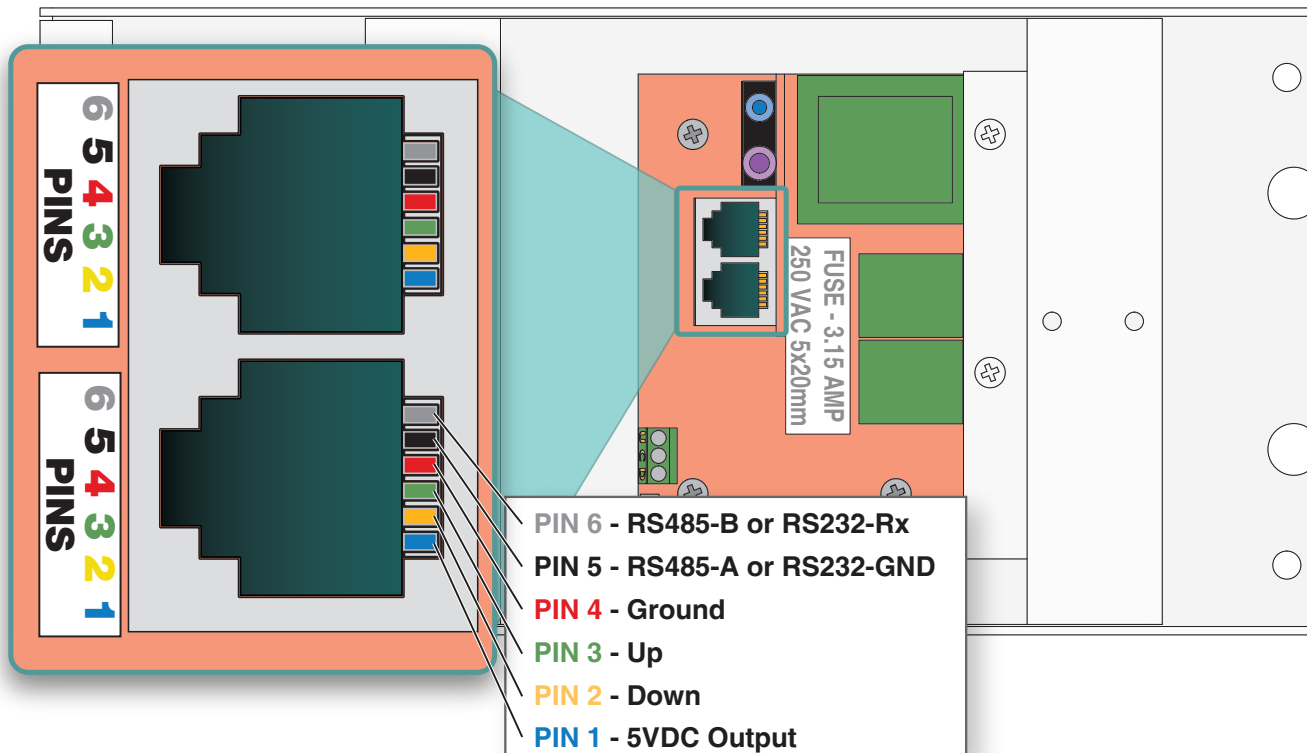
RS232 / RS485 CommPort Parameters:

Frequency (BAUD Rate)	2400
Data long code	8
Parity Check	N
Start bit	1
Stop bit	1
Flow Control	NONE

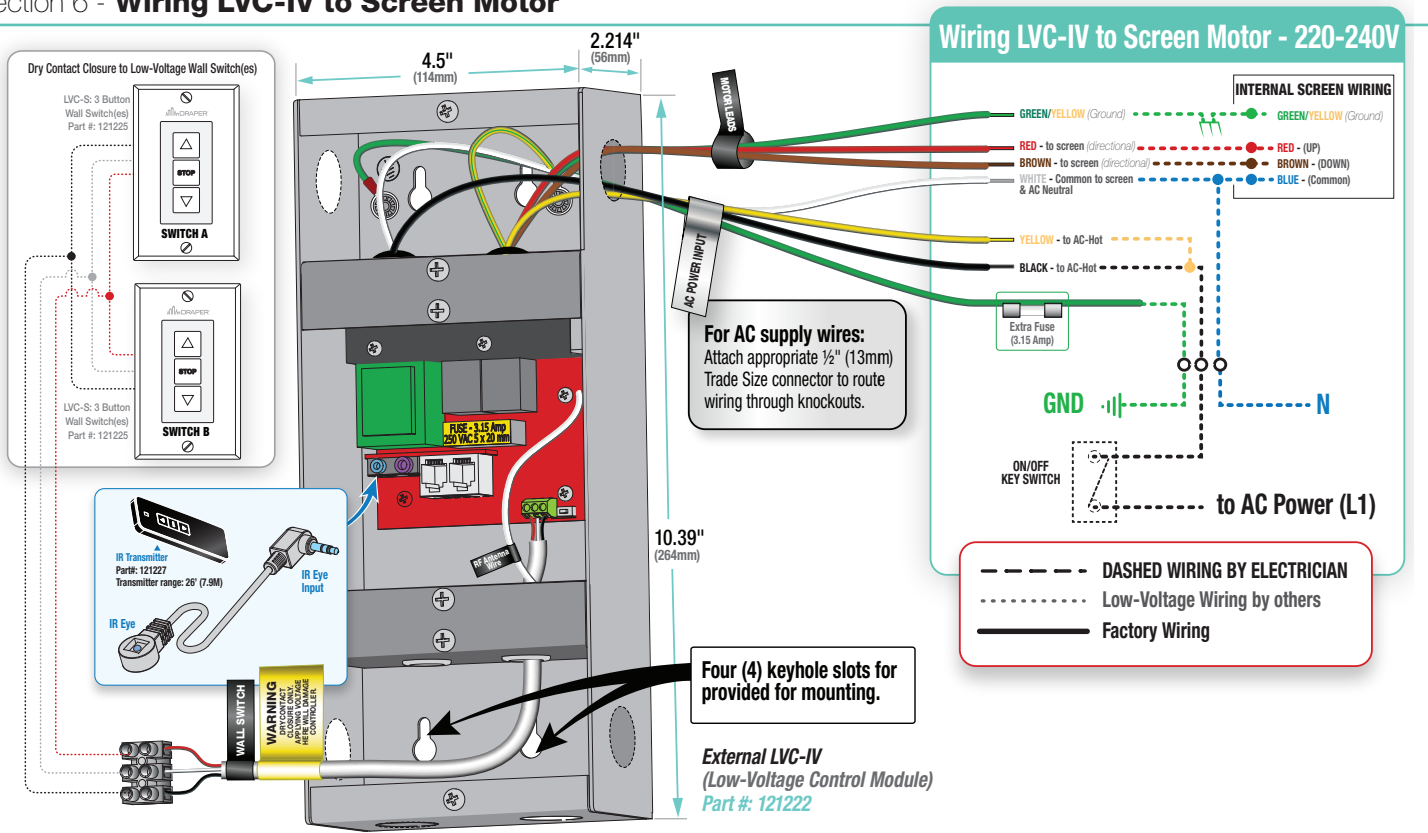
COMMAND	HEX COMMAND STRINGS	REMARK
UP	9A / 01 / 01 / 00 / 0A / DD / D7 / 0A	ID No. : 1 / Channel : 01
STOP	9A / 01 / 01 / 00 / 0A / CC / C6 / 0A	ID No. : 1 / Channel : 01
DOWN	9A / 01 / 01 / 00 / 0A / EE / E4 / 0A	ID No. : 1 / Channel : 01

Please Note: Command Strings are Hex values; not ASCII.

For more detailed programming instructions or group control go to:
<http://www.draperinc.com/DraperPro>
 (registration required)



Section 6 - Wiring LVC-IV to Screen Motor



Section 7 - Wiring LVC-IV to Aerolift

