

FlexStyle™ Battery Zigbee

Long-lasting, rechargeable battery for FlexStyle window shade



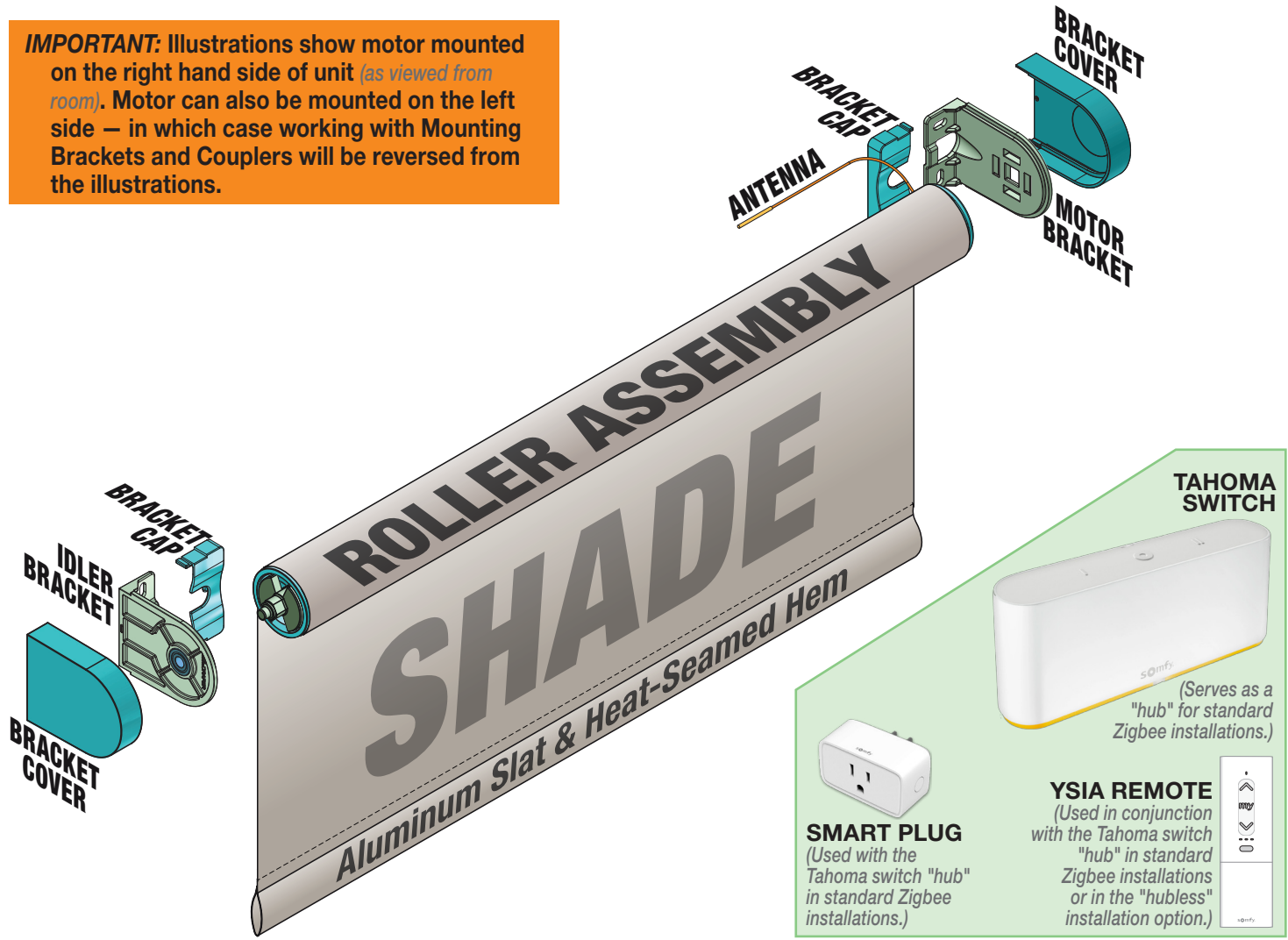
INSTRUCTIONS

INSTALLATION & OPERATION

Overview - **Components**

FLEXSTYLE BAZ

IMPORTANT: Illustrations show motor mounted on the right hand side of unit (as viewed from room). Motor can also be mounted on the left side – in which case working with Mounting Brackets and Couplers will be reversed from the illustrations.



⚠ CAUTION ⚠
Read and understand all warnings before beginning installation.
 (Page 2 of this document)

TOOLS REQUIRED

- PENCIL
- TAPE MEASURE
- LASER LEVEL
- LEVEL
- POWER DRILL
- HARDWARE (by others)

Contents

Overview - Components.....	1	Section 3 - Mounting Shade.....	4
PLEASE READ - TaHoma® Pro Application.....	1	Section 4 - Bracket & Coupler Covers.....	5
PLEASE READ - Important Safety & Installation Information.....	2	Section 5 - Removing Bracket Covers.....	5
PLEASE READ - Field Adjustments, Cleaning and Maintenance.....	2	Section 6 - Programming Somfy Wire-Free Zigbee®.....	6
Section 1 - Installing Mounting Brackets.....	3	Section 7 - Bracket Dimensions.....	7
Section 2 - Charging Battery.....	3	Section 8 - Shade Dimensions.....	8

If you have any difficulties installing or servicing your FlexStyle® Battery shade, call your dealer or Draper, Inc.



PLEASE READ - Important Installation Information

⚠ Caution:

1. Inspect all boxes to make sure you have received the proper shades and parts. Controls may be shipped separately, or in same carton as shades.
2. Open cartons lengthwise.
3. Before mounting shades, verify measurements on label provided with shade, and ensure unit is installed at correct width.
4. Before connecting switches, controls, or electrical, ensure that power is turned **OFF**. Wiring indicated in diagram by dashed lines must be completed by an electrician.
5. Do not wire motors in parallel without written permission from Draper.
6. All hardware must be installed level. Shades must be level and square.
7. **Read the following installation guidelines thoroughly and follow them carefully. Failure to do so may cause product to fall or otherwise fail, and invalidates warranty.**
8. **Installer is responsible for selecting mounting hardware appropriate for site conditions.**

PLEASE READ - Safety Information

Important Safety Information



WARNING

Important Safety Information

Improper installation and use of the FlexStyle® Li-Ion can result in serious injury or death. Primarily, injuries can occur if the unit falls due to imprecise installation, mishandling of the unit during installation, or installation on an insufficient wall or ceiling structure. Please use extreme care.

1. Please read the following installation guidelines thoroughly and follow them carefully. Failure to do so may cause product to fall or otherwise fail, and could result in serious injury.
2. Installation and calibration of the unit should only be performed by an authorized, qualified, and experienced professional.
3. Do not affix the unit to wall or ceilings that have inadequate strength to permanently hold the unit during use. It is the owner's and installer's responsibility to confirm the wall or ceiling to which the unit attaches is sufficient to permanently hold the weight and stress loads of the unit at all times. Draper, Inc., is not responsible for improper installation, application, testing, or workmanship related to the product at place of installation.
4. It is the installer's responsibility to make sure appropriate fasteners are used for mounting.
5. All hardware must be installed level. Unit must be level and square.
6. Never leave the area while operating the unit during installation, maintenance, or normal operation, unless it is secure and safe.
7. Before testing or operation, carefully inspect the entire area and path of the shade and areas underneath the shade to be sure no persons or objects are in the area.
8. Make sure the limit switches are pointed down or accessible when placing the motor in brackets/endcaps.
9. During testing or operation, carefully watch the surrounding area for any potential safety concerns including nearby persons or objects.
10. After installation, the entire system, including all sensors, should be carefully tested to ensure safe and normal operation. Extreme care should be taken during testing to remain clear of moving parts to avoid possible injury.
11. Operation of unit should be performed only by authorized and qualified personnel, who have been trained in the safe and effective operation of the unit and understand its safety features.
12. The safety features of the unit, including sensors, should never be disabled, bypassed, or overridden. The system should not be operated until all safety features, including the sensors, are properly and completely installed, calibrated, and tested.
13. Unit may need to comply with local, state, or district rules and regulations, in particular when installed in schools. All applicable rules and regulations should be reviewed before installation and use.
14. Failure to precisely follow installation guidelines invalidates all warranties.
15. Custom products/installations may not be reflected in this manual. Call Draper®, Inc., if you have questions about the installation of custom products or any questions about your installation.

Before Beginning Installation

1. Look for any job site conditions that could interfere with installation or operation of the system.
2. Read carefully and be sure to understand all installation instructions and all related operations manuals. These instructions are intended to serve as a guide for the installer and owner. They should be followed closely and combined with the expertise of experienced qualified installers. Draper, Inc., is not responsible for improper installation, application, testing, or workmanship related to the product at place of installation. Please retain all instructions for future use.
3. Open cartons lengthwise.
4. Locate and lay out all pieces.
5. Inspect all boxes to make sure you have received the proper shade and parts. Controls may be shipped separately, or in same carton as shade.
6. If you have any difficulties with installing, servicing, or operating your shade, call your dealer or Draper, Inc., 765-987-7999.

PLEASE READ - Field Adjustments

Each Draper Solar Control Shade is tested to ensure proper operation. Even with this testing, some field adjustments may be needed for telescoping.

If the shade is telescoping, place a piece of high quality gaffer tape about 1" (25 mm) wide on the exposed roller (where the fabric will cover it) on the side that the fabric will be drawn toward. For example: if the fabric is tracking to the left, place the tape on the right side.

PLEASE READ - Cleaning and Maintenance

Window covering products manufactured by Draper, when properly installed, should require no operational maintenance or lubrication.

Most of Draper's standard fabrics may be cleaned at the window by vacuuming with a soft brush attachment. They also may be cleaned by using a sponge or soft cloth and mild solution of warm soapy water. A mild dishwashing liquid is recommended. A clean dry cloth is recommended for the metal finish.

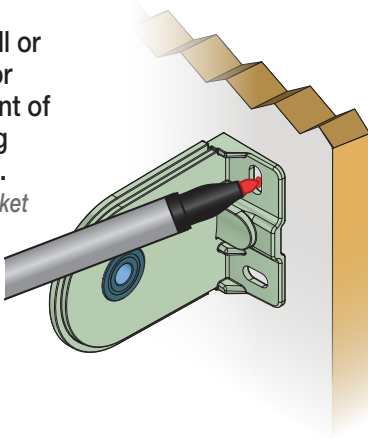
Please Note: Exceptions are Flocké and Phifer SW7000 fabrics, which must be cleaned with a dry art sponge.

Section 1 - Installing Mounting Brackets

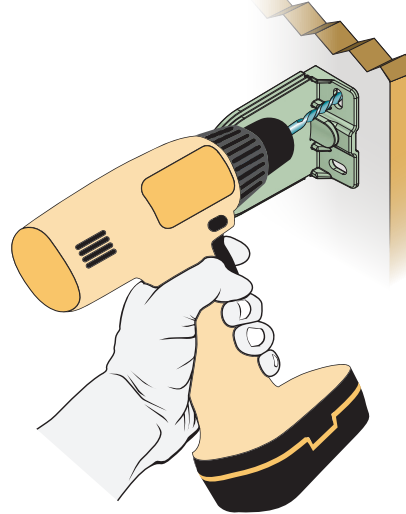
IMPORTANT: Mounting Brackets must be installed parallel, plumb, and square, with a tolerance of +/- 1/8" (3mm). Verify unit measurements and ensure unit will fit in the desired location.

Please Note: Installer is responsible for selecting mounting hardware appropriate for site conditions.

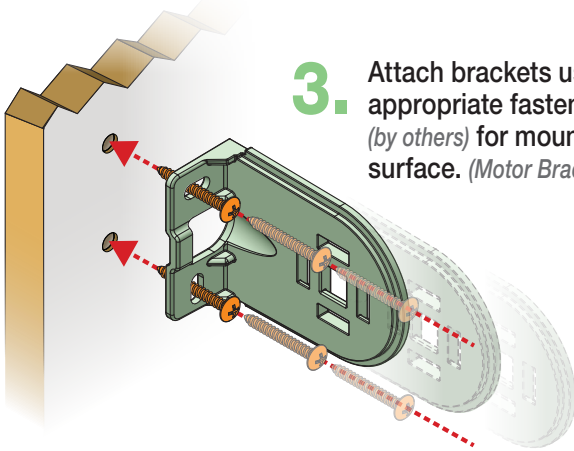
1. Mark wall or ceiling for placement of mounting brackets. (Idler Bracket shown.)



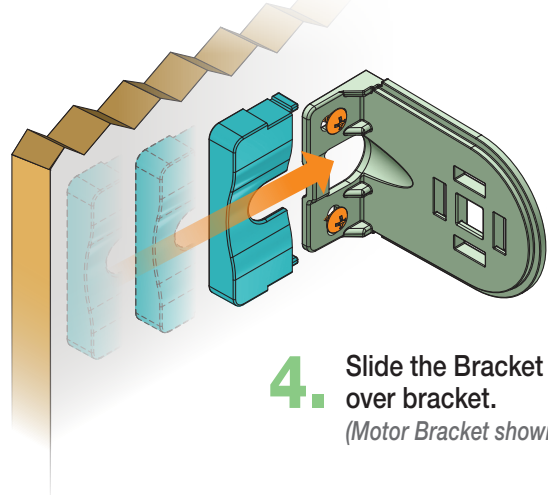
2. Drill small starter hole in mounting surface (if necessary).



3. Attach brackets using appropriate fasteners (by others) for mounting surface. (Motor Bracket shown.)



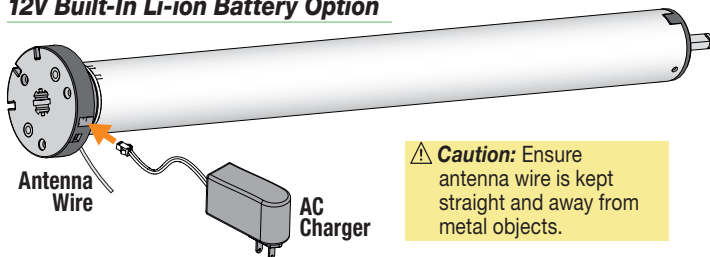
4. Slide the Bracket Cap over bracket. (Motor Bracket shown.)



Section 2 - Charging Battery

Please Note: Bracket Cover must be removed for battery charging (Sec. 7, P.7)

12V Built-In Li-ion Battery Option



Caution: Ensure antenna wire is kept straight and away from metal objects.

1. During operation, if voltage drops to less than 10V, motor will beep 10 times to indicate it needs to be charged.
2. Motor will stop running when voltage is lower than 7V and resume when voltage is greater than 7.5V.
3. Once battery has been depleted, motor must be charged for 6 hours using recommended AC charger.

External Battery Pack Option

1. Mount battery pack to wall using provided mounting clips.
2. Locate the battery pack to reach the motor without interfering with shade/roller operation.

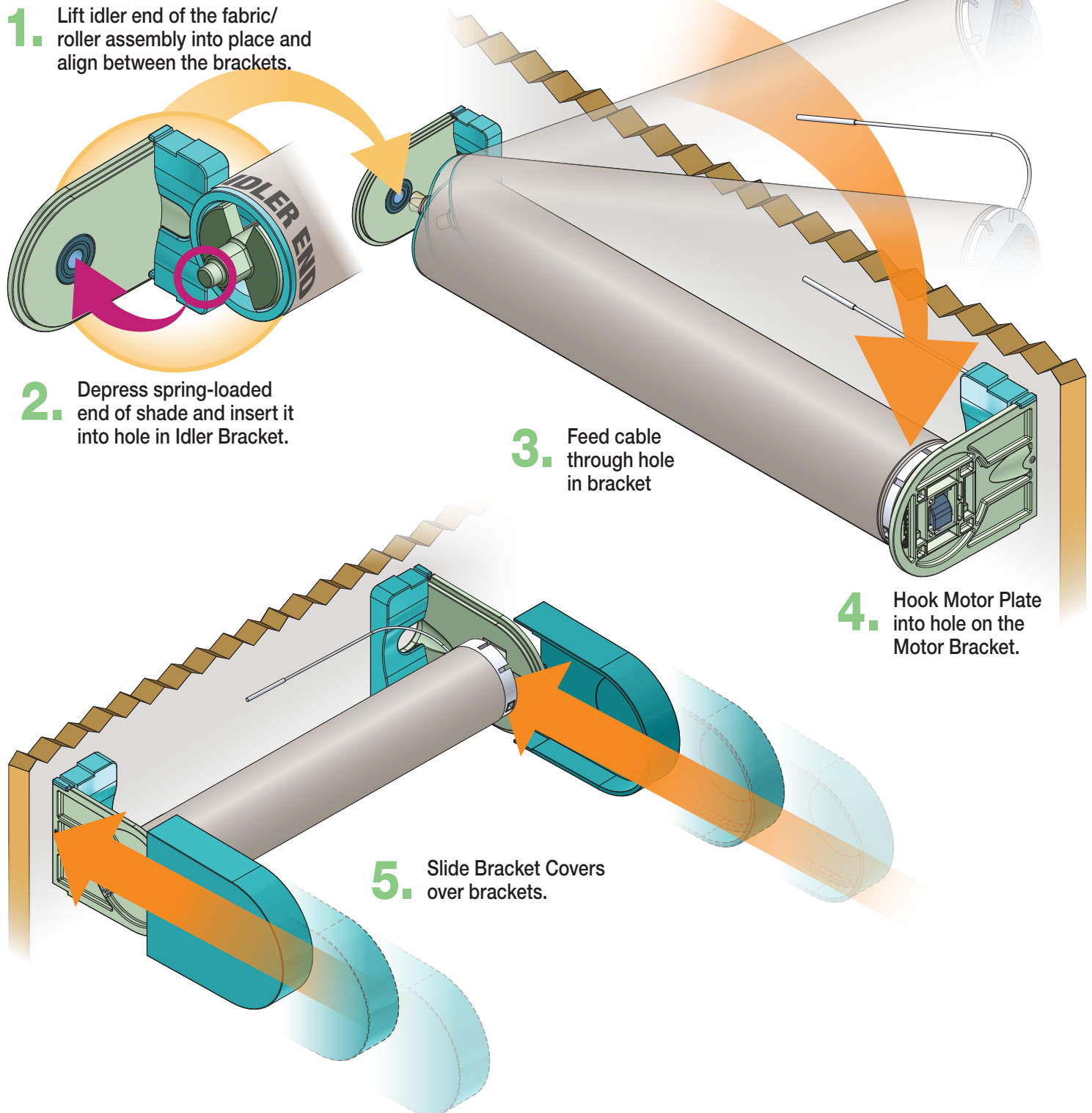


Please Note: If mounting the battery pack vertically, small plastic grips are provided to slide onto the battery pack and create a tighter fit in the bracket.

Section 3 - Mounting Shade

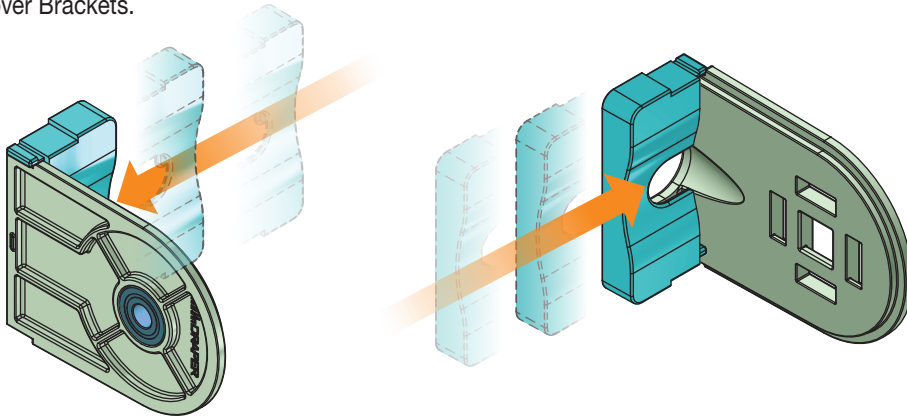
Please Note: ALWAYS START AT THE IDLER END OF SHADE.

Please Note: This shade must be mounted to wall or ceiling. No jamb mounting option available.

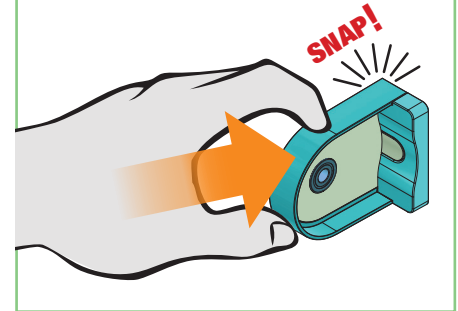


Section 4 - Bracket & Coupler Covers

1. Slide Bracket Caps over Brackets.



Please Note: Ensure that Bracket Covers SNAP into place.



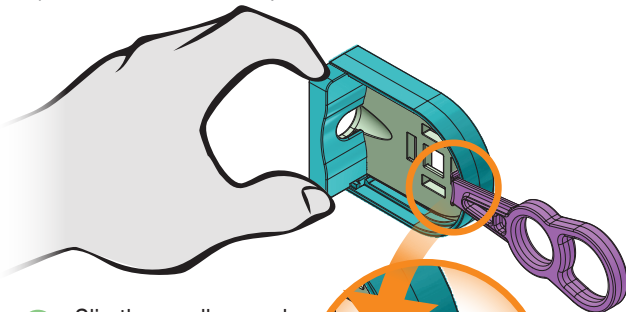
2. Slide Covers over Brackets.



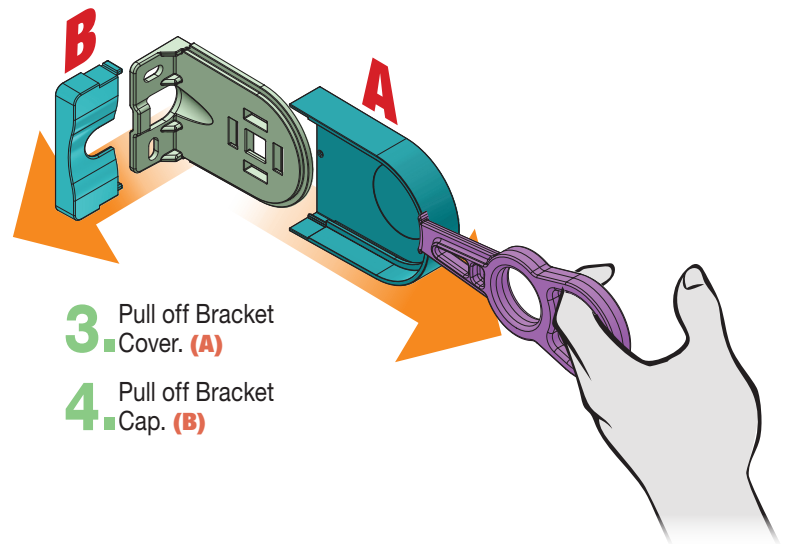
Section 5 - Removing Bracket Covers (Must be ordered separately.)

Please Note: The Cover Removal Tool (Part Number C202.053) is available to remove bracket cover for charging battery.

1. Grasp the flat end of the bracket. (Motor end bracket shown.)



2. Slip the small curved end of the tool under the curved end of the bracket.



3. Pull off Bracket Cover. (A)

4. Pull off Bracket Cap. (B)

Section 6 - Programming Somfy Wire-Free Zigbee®

IMPORTANT: Consult the [Zigbee Planning Sheet & Sales Guide](#) to help plan a Zigbee project.

IMPORTANT: Locate QR code on the shade cloth ticket to initiate your project. QR code can also be found on several other components, in case ticket is lost: Motor Antenna, Physical motor (*must remove motor from tube*), Shade Roller (*must unroll shade completely to locate*)

1. The Zigbee System is controlled in one of two ways:



A. The TaHoma switch, a wireless router "hub" with 2.4 Ghz support (*supplied by others*)

Please Note: One (1) TaHoma switch is supported per Zigbee system.

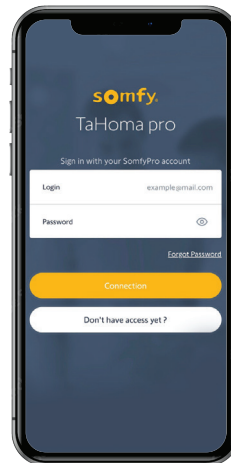


B. As a "hubless" system, using only Ysia remotes

Please Note: No integration is possible with this "hubless" option, and range is limited to roughly 35'.



2. Download the TaHoma Pro app from the Apple App Store or Google Play to a Bluetooth enabled device.



3. Scan QR code on the shade cloth ticket to initiate your project. QR code can also be found on several different components, in case ticket is lost:

- Shade Cloth Ticket
- Motor Antenna
- Physical motor
- Shade Roller

4. Follow the steps in the app to set up the TaHoma system.



5. End Users will utilize TaHoma North America, an app available for smart devices available on the Apple App Store or Google Play.



6. Program the Zigbee system, devices, and equipment.



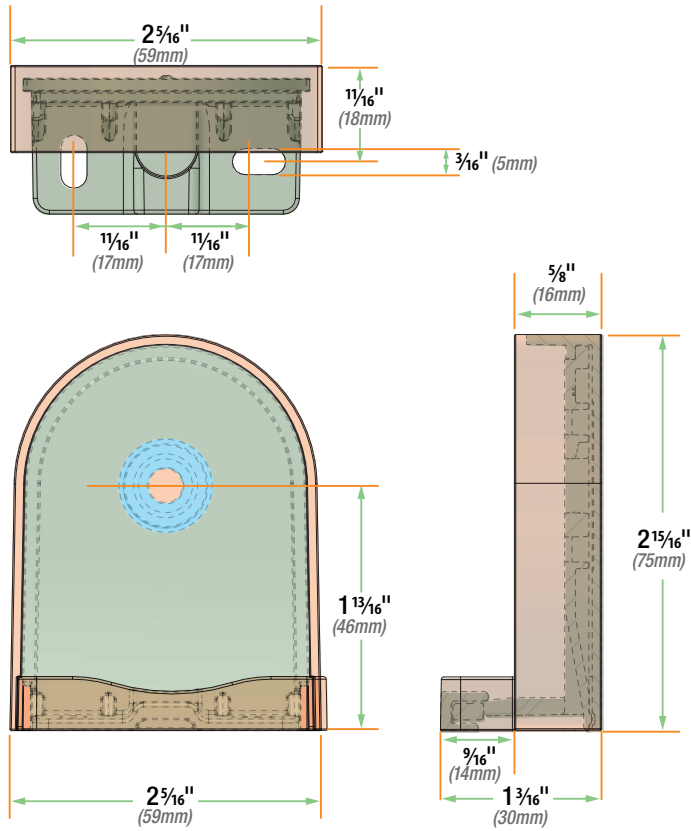
To program a TaHoma system, follow the steps in the app or download the [Somfy TaHoma Pro Programming Guide](#).



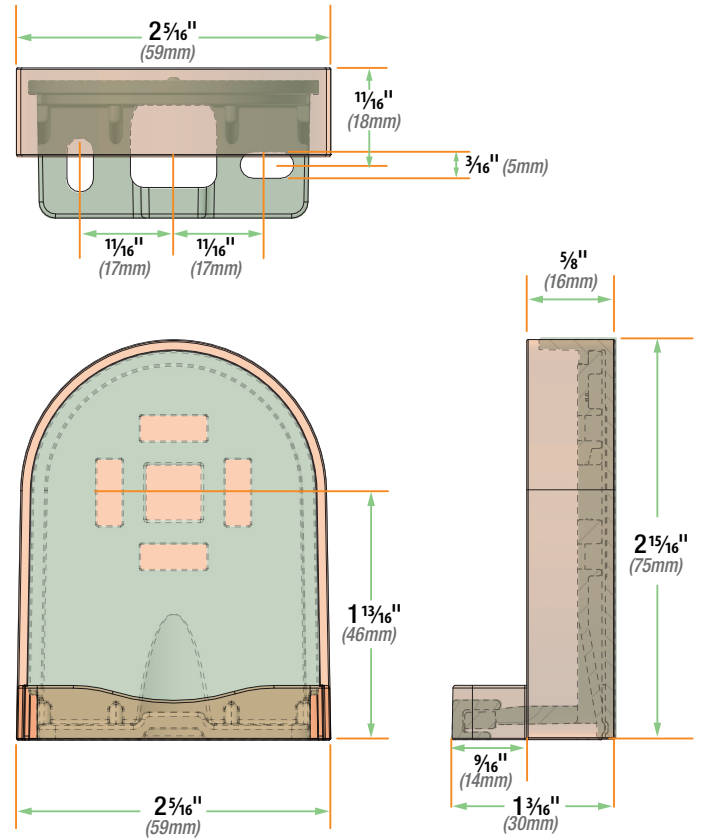
To program a Hubless or Standalone system, download the guide for [Zigbee Standalone Solution Using Ysia Remotes](#).

Section 7 - Bracket Dimensions

C002.1822 (Idler End, Extended)



C002.1820 (Motor End, Extended)



Section 8 - Shade Dimensions

