

# FlexStyle™ Ascend

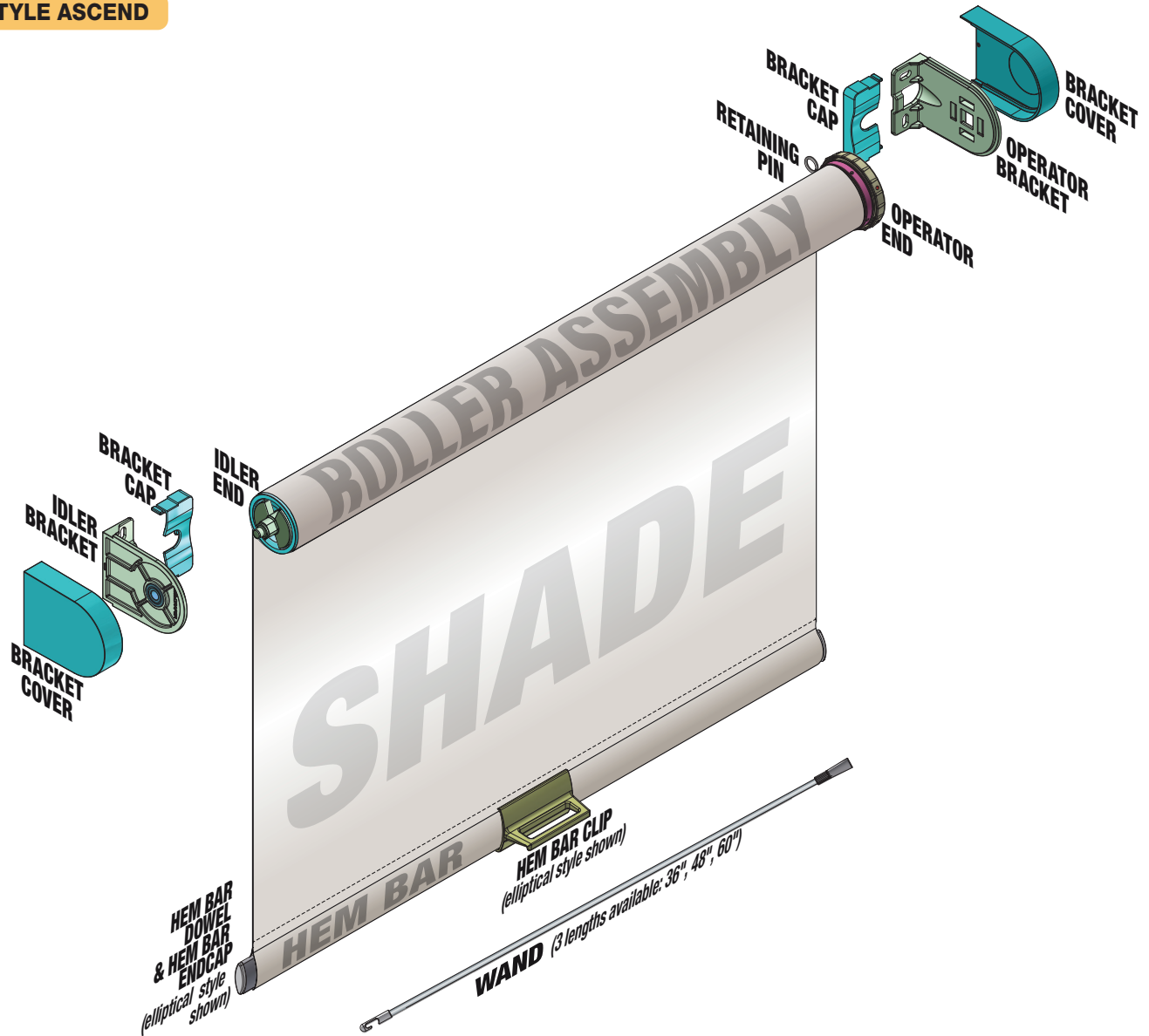
Cordless operated open roll shade



## INSTRUCTIONS INSTALLATION & OPERATION

### Overview - Components

#### FLSTYLE ASCEND



**TOOLS REQUIRED**

- PENCIL
- TAPE MEASURE
- LEVEL
- POWER DRILL
- PLIERS
- HARDWARE (by others)

**⚠ CAUTION ⚠**  
Read and understand all warnings before beginning installation.

Contents

Overview - Components.....	1	Section 3 - Shade Operation .....	6
PLEASE READ - Important Safety & Installation Information .....	2	Section 4 - Adjusting Shade Tension .....	7
PLEASE READ - Field Adjustments, Cleaning and Maintenance.....	2	Section 5 - Removing Bracket Covers.....	7
Section 1 - Installing Mounting Brackets.....	3	Section 6 - Bracket Dimensions .....	8
Section 2 - Mounting Shade .....	4	Section 7 - Shade Dimensions.....	8

If you have any difficulties installing or servicing your FlexStyle Ascend, call your dealer or Draper, Inc.

## PLEASE READ - Important Installation Information

### ⚠ Caution:

1. Inspect all boxes to make sure you have received the proper shades and parts. Controls may be shipped separately, or in same carton as shades.
2. Open cartons lengthwise, taking care not to cut into cardboard shipping container.
3. Before mounting shades, verify measurements on label provided with shade, and ensure unit is installed at correct width.
4. All hardware must be installed level. Shades must be level and square.
5. **Read the following installation guidelines thoroughly and follow them carefully. Failure to do so may cause product to fall or otherwise fail, and invalidates warranty.**
6. **Installer is responsible for selecting mounting hardware appropriate for site conditions.**
7. **Ascend operator should not be used with products or pockets having a bottom closure without written permission from Draper.**

## PLEASE READ - Safety Information

### Important Safety Information



### Important Safety Information

**Improper installation and use of the FlexStyle™ Ascend can result in serious injury or death. Primarily, injuries can occur if the unit falls due to imprecise installation, mishandling of the unit during installation, or installation on an insufficient wall or ceiling structure. Please use extreme care.**

**Improper installation and use of the FlexStyle™ Ascend can result in serious injury or death. Primarily, injuries can occur if the unit falls due to imprecise installation, mishandling of the shade during installation, or installation on an insufficient wall or ceiling structure. Please use extreme care.**

1. Please read the following installation guidelines thoroughly and follow them carefully. Failure to do so may cause product to fall or otherwise fail, and could result in serious injury.
2. Installation and calibration of the shade should only be performed by an authorized, qualified, and experienced professional.
3. Do not affix the unit to wall or ceilings that have inadequate strength to permanently hold the unit during use. It is the owner's and installer's responsibility to confirm the wall or ceiling to which the unit attaches is sufficient to permanently hold the weight and stress loads of the unit at all times. Draper®, Inc., is not responsible for improper installation, application, testing, or workmanship related to the product at place of installation.
4. It is the installer's responsibility to make sure appropriate fasteners are used for mounting.
5. All brackets, fascia, headboxes, pockets, wall clips, and other hardware must be installed level. Shade unit must be level and square.
6. Before testing or operation, carefully inspect the entire area and path of the shade and areas underneath the shade to be sure no persons or objects are in the area.
7. During testing or operation, carefully watch the surrounding area for any potential safety concerns including nearby persons or objects.
8. After installation, the entire system should be carefully tested to ensure safe and normal operation. Extreme care should be taken during testing to remain clear of moving parts to avoid possible injury.
9. Operation of shade should be performed only by authorized and qualified personnel, who have been trained in the safe and effective operation of the shade and understand its safety features.
10. The safety features of the shade should never be disabled, bypassed, or overridden. The system should not be operated until all safety features are properly and completely installed, calibrated, and tested.
11. Shade may need to comply with local, state, or district rules and regulations, in particular when installed in schools. All applicable rules and regulations should be reviewed before installation and use.
12. Failure to precisely follow installation guidelines invalidates all warranties.
13. Custom products/installations may not be reflected in this manual. Call Draper, Inc., if you have questions regarding your installation.

## Before Beginning Installation

1. Look for any job site conditions that could interfere with installation or operation of the system.
2. Read carefully and be sure to understand all installation instructions and all related operations manuals. These instructions are intended to serve as a guide for the installer and owner. They should be followed closely and combined with the expertise of experienced qualified installers. Draper, Inc., is not responsible for improper installation, application, testing, or workmanship related to the product at place of installation. Please retain all instructions for future use.
3. Open cartons lengthwise, taking care not to cut into cardboard shipping container.
4. Locate and lay out all pieces.
5. Inspect all boxes to make sure you have received the proper shade and parts. Controls may be shipped separately, or in same carton as shade.
6. If you have any difficulties with installing, servicing, or operating your shade, call your dealer or Draper, Inc., 765-987-7999.

## PLEASE READ - Field Adjustments

Each Draper Shade is tested to ensure proper operation. Even with this testing, some field adjustments may be needed for telescoping.

If the shade is telescoping, place a piece of shimming fabric into the fabric roll when the shade is deployed on the side that the fabric will be drawn toward. For example: if the fabric is tracking to the left, place the shimming fabric on the right side.

## PLEASE READ - Cleaning and Maintenance

Window covering products manufactured by Draper, when properly installed, should require no operational maintenance or lubrication.

Most standard Draper fabrics may be cleaned at the window by vacuuming with a soft brush attachment. They also may be cleaned by using a sponge or soft cloth and mild solution of warm soapy water. A mild dishwashing liquid is recommended. A clean dry cloth is recommended for the metal finish.

**Please Note:** Exceptions are GreenScreen Evolve®, GreenScreen Revive®, and Phifer® SW7000 fabrics, which must be cleaned with a dry art sponge.  
(GreenScreen Revive® and GreenScreen Evolve® are registered trademarks of Mermet® USA. SheerWeave® is a registered trademark of Phifer® Incorporated.)

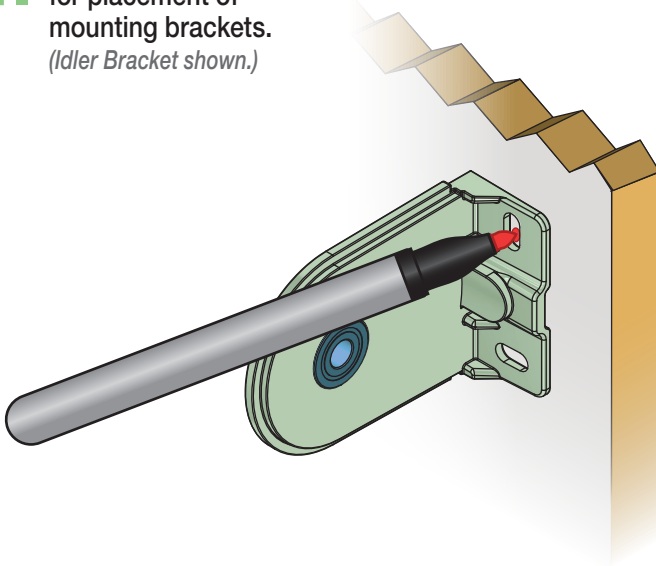
## Section 1 - Installing Mounting Brackets

**IMPORTANT:** Mounting Brackets must be installed parallel, plumb, and square, with a tolerance of +/- 1/8" (3mm). Verify unit measurements and ensure unit will fit in the desired location.

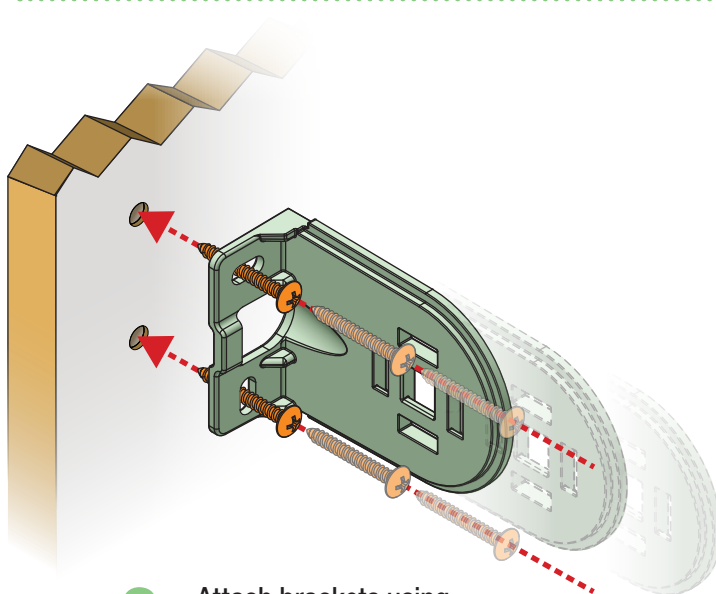
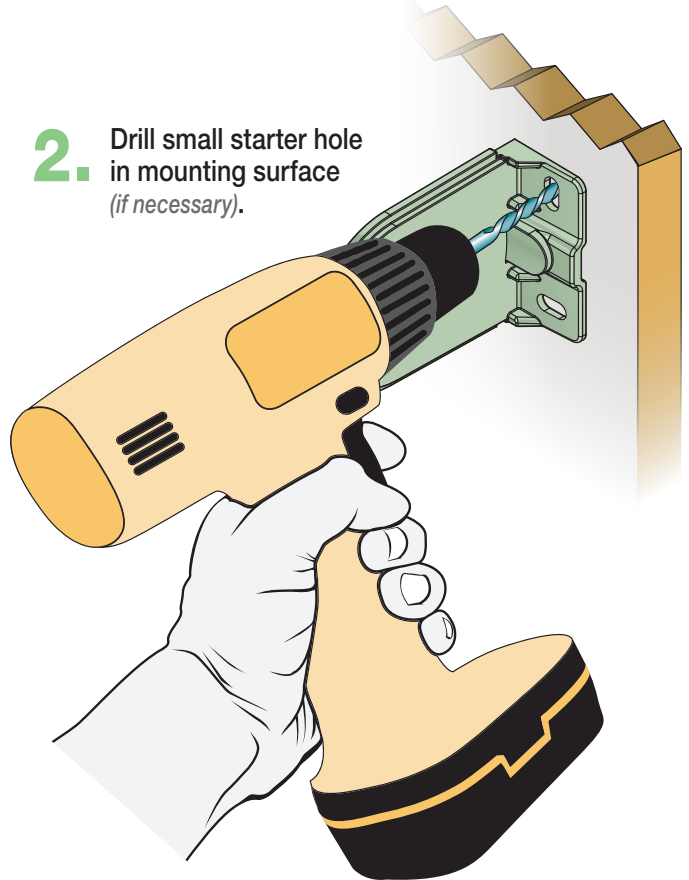
**Please Note:** Installer is responsible for selecting mounting hardware appropriate for site conditions.

**WARNING:** Ascend operator should not be used with products or pockets having a bottom closure without written permission from Draper.

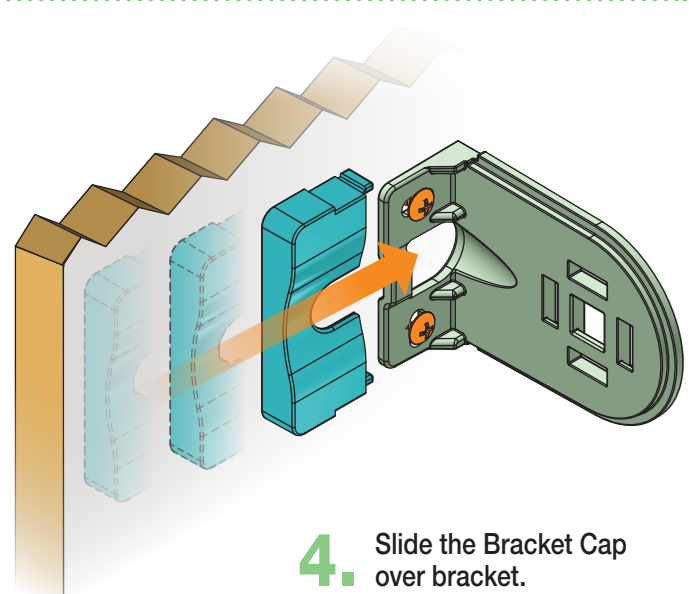
1. Mark wall or ceiling for placement of mounting brackets. (Idler Bracket shown.)



2. Drill small starter hole in mounting surface (if necessary).



3. Attach brackets using appropriate fasteners (by others) for mounting surface. (Operator Bracket shown.)



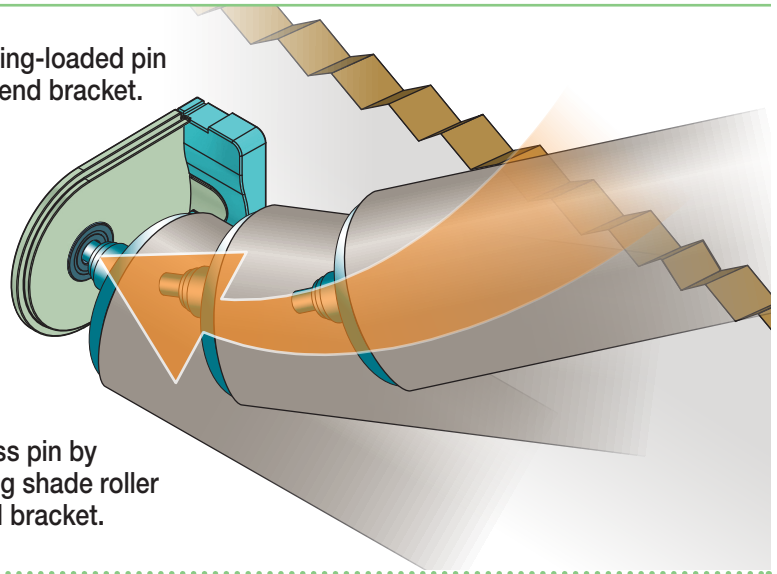
4. Slide the Bracket Cap over bracket. (Operator Bracket shown.)

## Section 2 - Mounting Shade

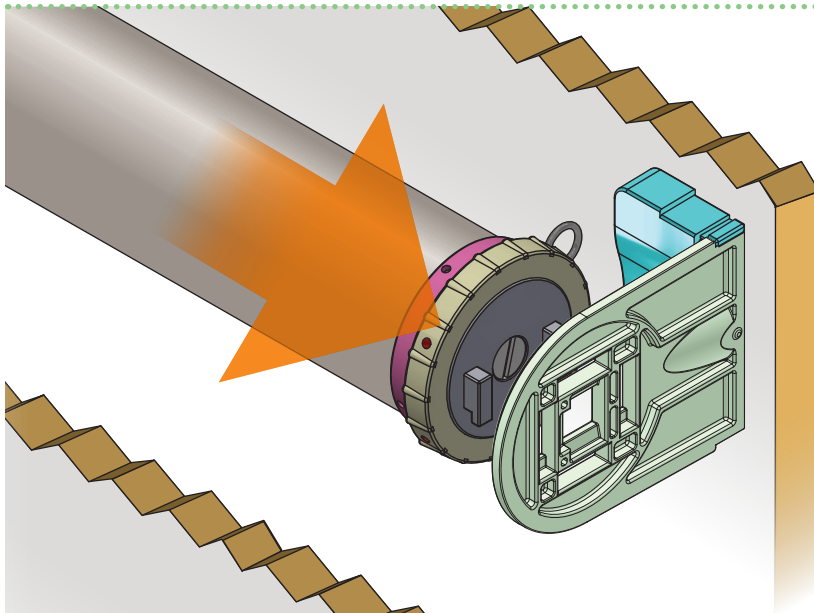
**Please Note:**  
ALWAYS START AT THE IDLER END OF SHADE.  
This varies from left to right, depending on whether installation is standard roll or reverse roll.

**Please Note:**  
This shade must be mounted to wall or ceiling. No jamb mounting option available.

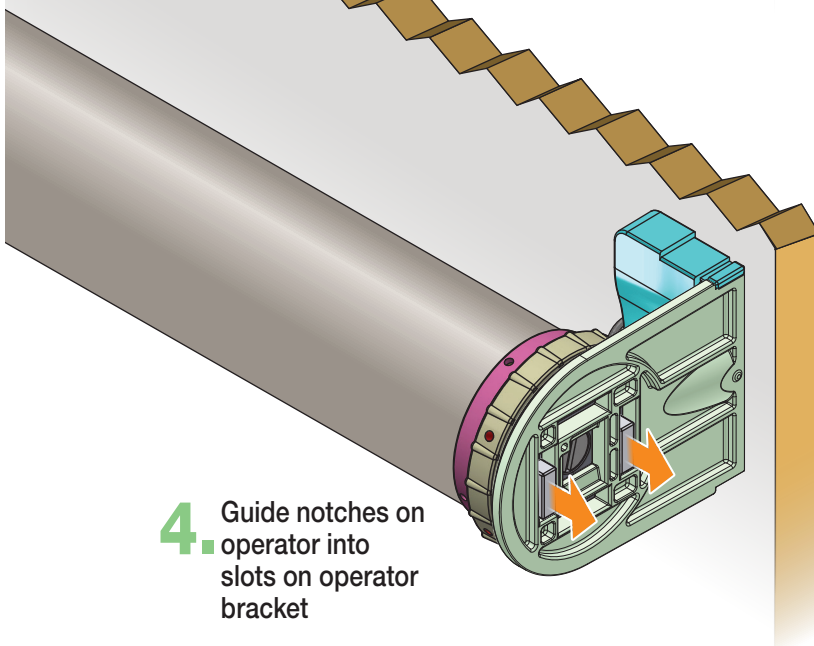
1. Place spring-loaded pin into idler end bracket.



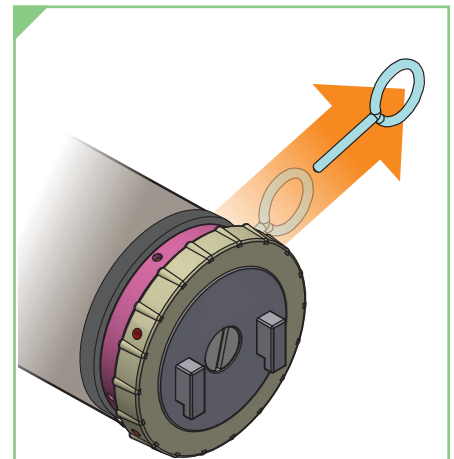
2. Depress pin by pushing shade roller toward bracket.



3. While pressing shade roller toward idler bracket, swing operator end of shade into position.



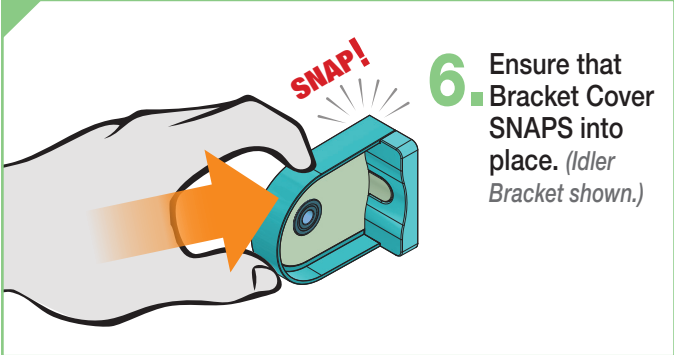
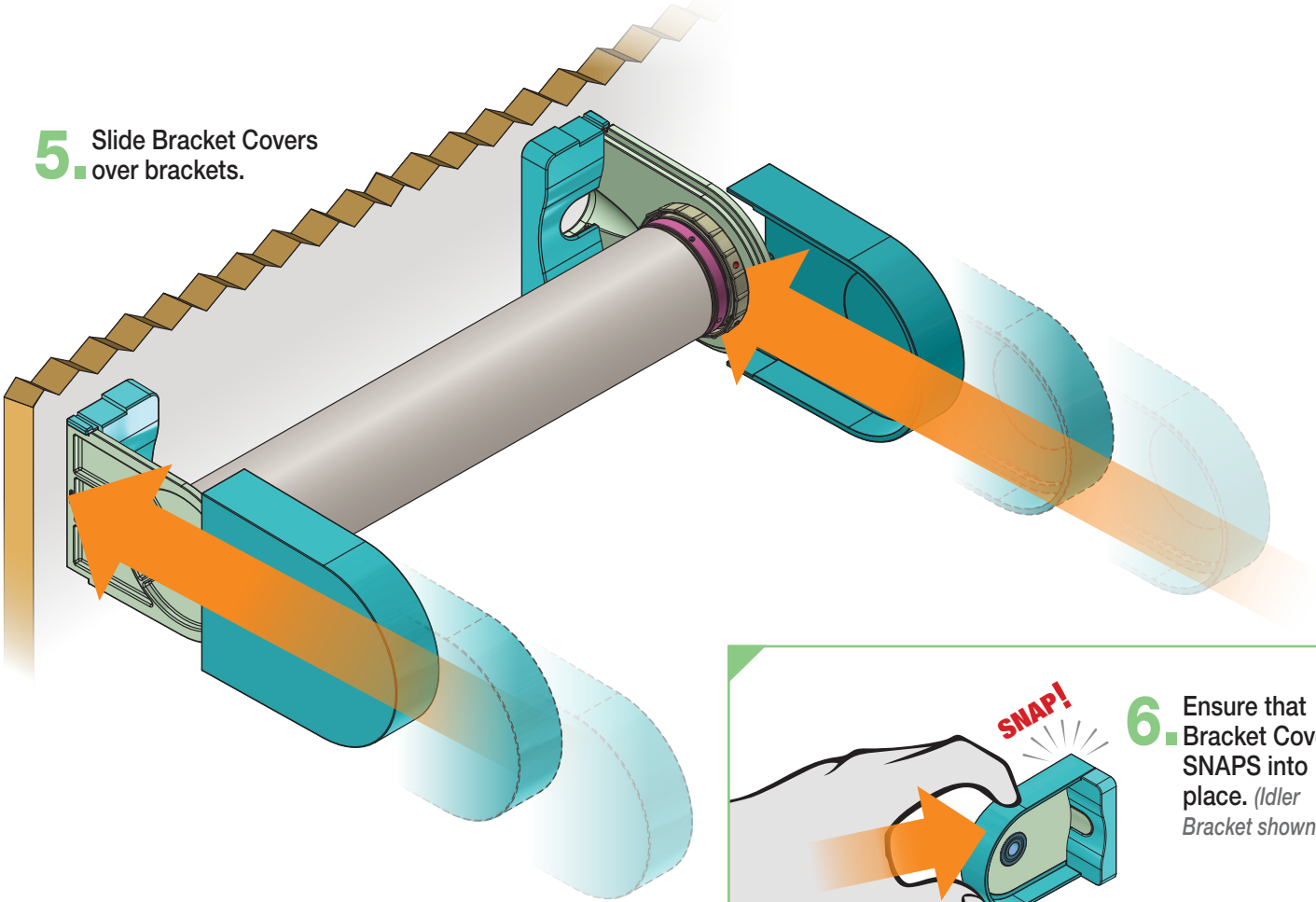
4. Guide notches on operator into slots on operator bracket



**Please Note:**  
If there is a retaining pin in the operator, remove and discard it.

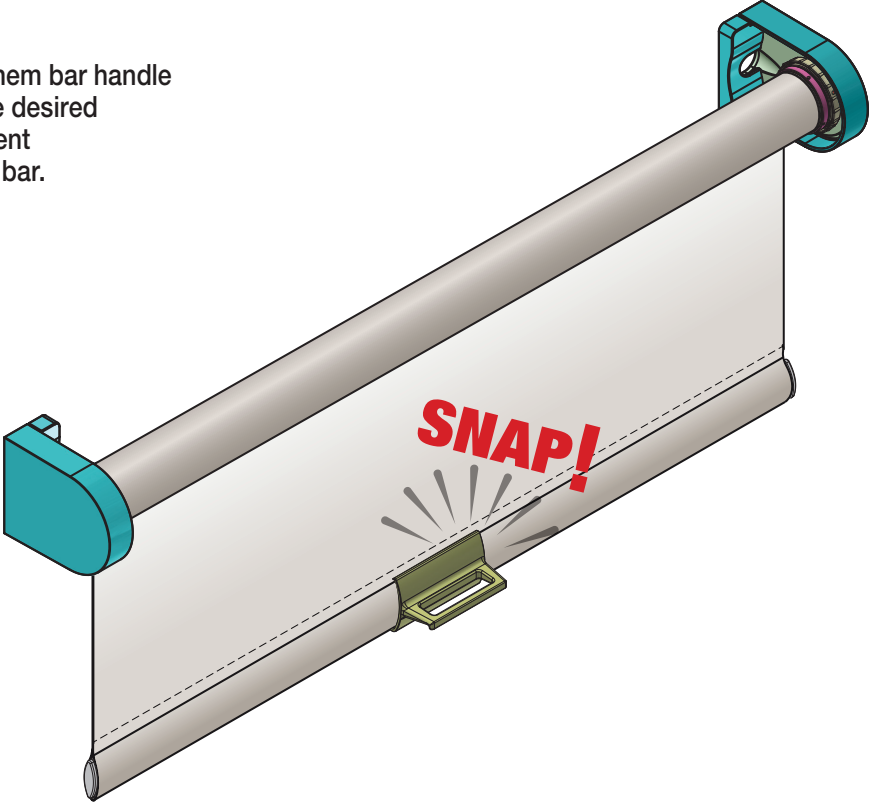
**WARNING:**  
Do not remove retaining pin until after shade is inserted into shade brackets.

5. Slide Bracket Covers over brackets.



6. Ensure that Bracket Cover SNAPS into place. (Idler Bracket shown.)

7. Attach hem bar handle onto the desired placement on hem bar.





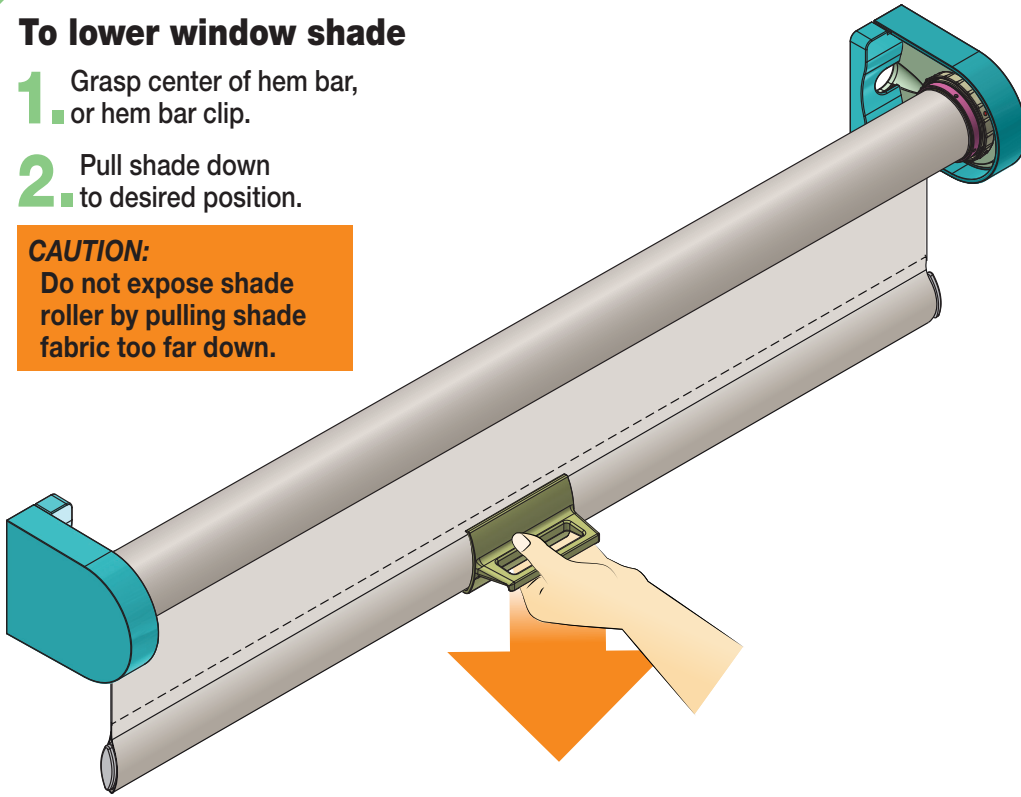
## Section 3 - Shade Operation

### To lower window shade

1. Grasp center of hem bar, or hem bar clip.
2. Pull shade down to desired position.

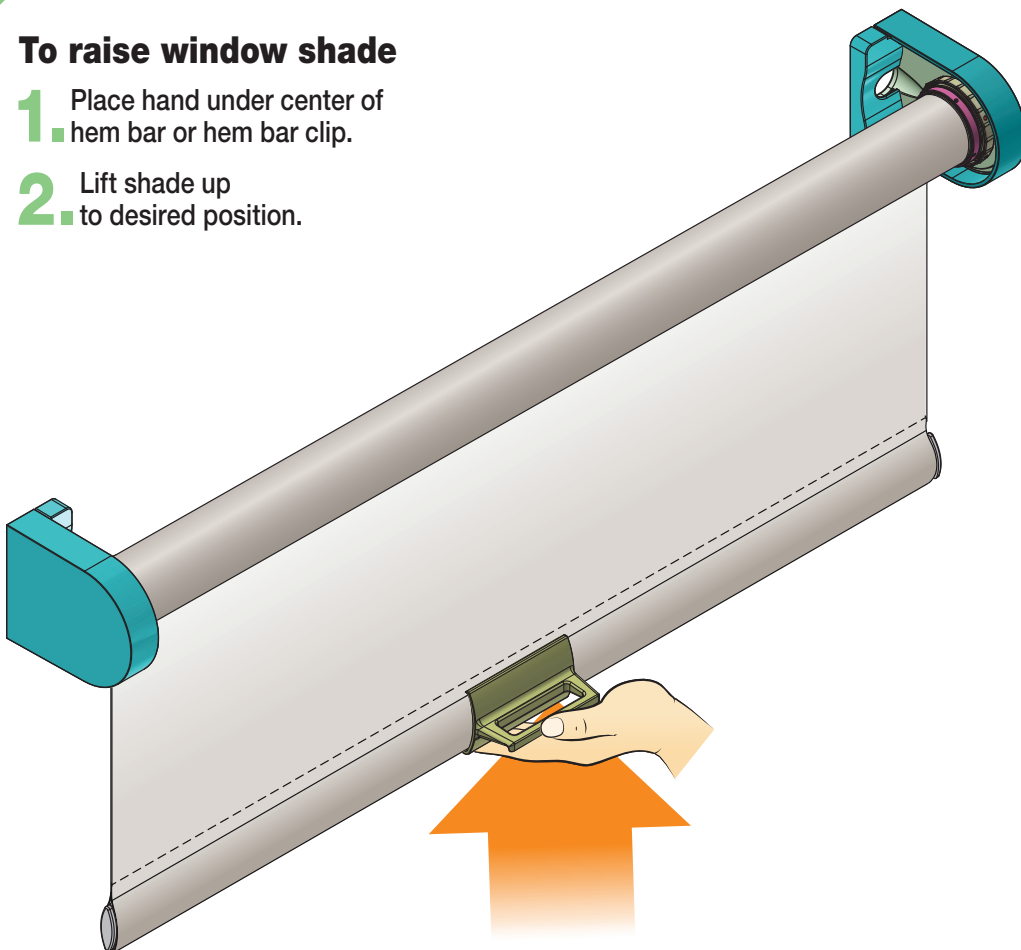
**CAUTION:**

Do not expose shade roller by pulling shade fabric too far down.



### To raise window shade

1. Place hand under center of hem bar or hem bar clip.
2. Lift shade up to desired position.



### Pull-Down Wand

The Pull-Down Wand (Part Number C061.051) can be ordered separately to assist in raising and lowering shades installed in a less accessible manner.

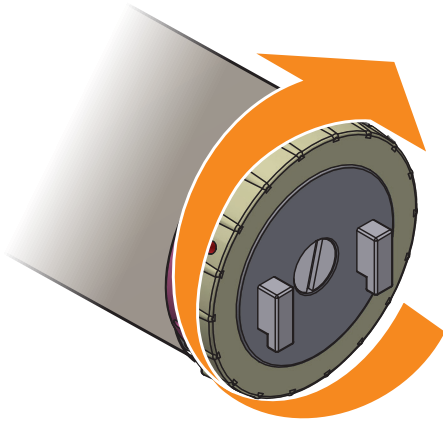
**Please Note:** Available in 3 sizes: 36", 48", 60".



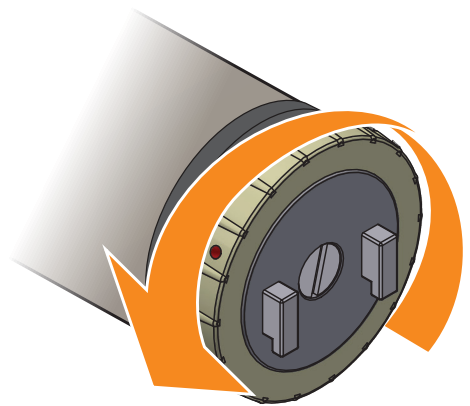
## Section 4 - Adjusting Shade Tension

**Please Note:** The Cover Removal Tool (Part Number C202.053) is available if bracket covers need to be detached for any reason.

1. If shade does not stop but continues moving **UP**, adjust the spring force by turning adjuster ring **clockwise** for Standard installations, and **counter-clockwise** for Reverse Roll installations.



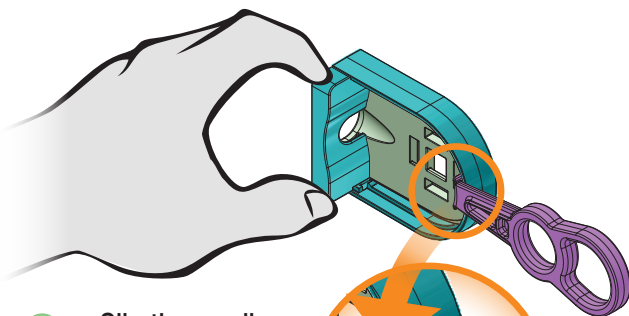
2. If shade does not stop but continues moving **DOWN**, adjust the spring force by turning adjuster ring **counter-clockwise** for Standard installations, and **clockwise** for Reverse Roll installations.



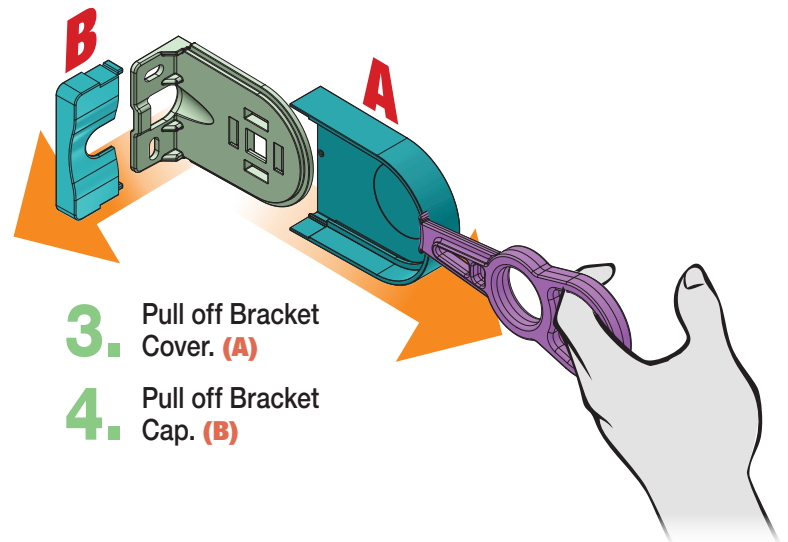
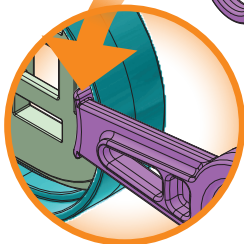
## Section 5 - Removing Bracket Covers (Removal Tool must be ordered separately.)

**Please Note:** The Cover Removal Tool (Part Number C202.053) is available if bracket covers need to be detached for any reason.

1. Grasp the flat end of the bracket.

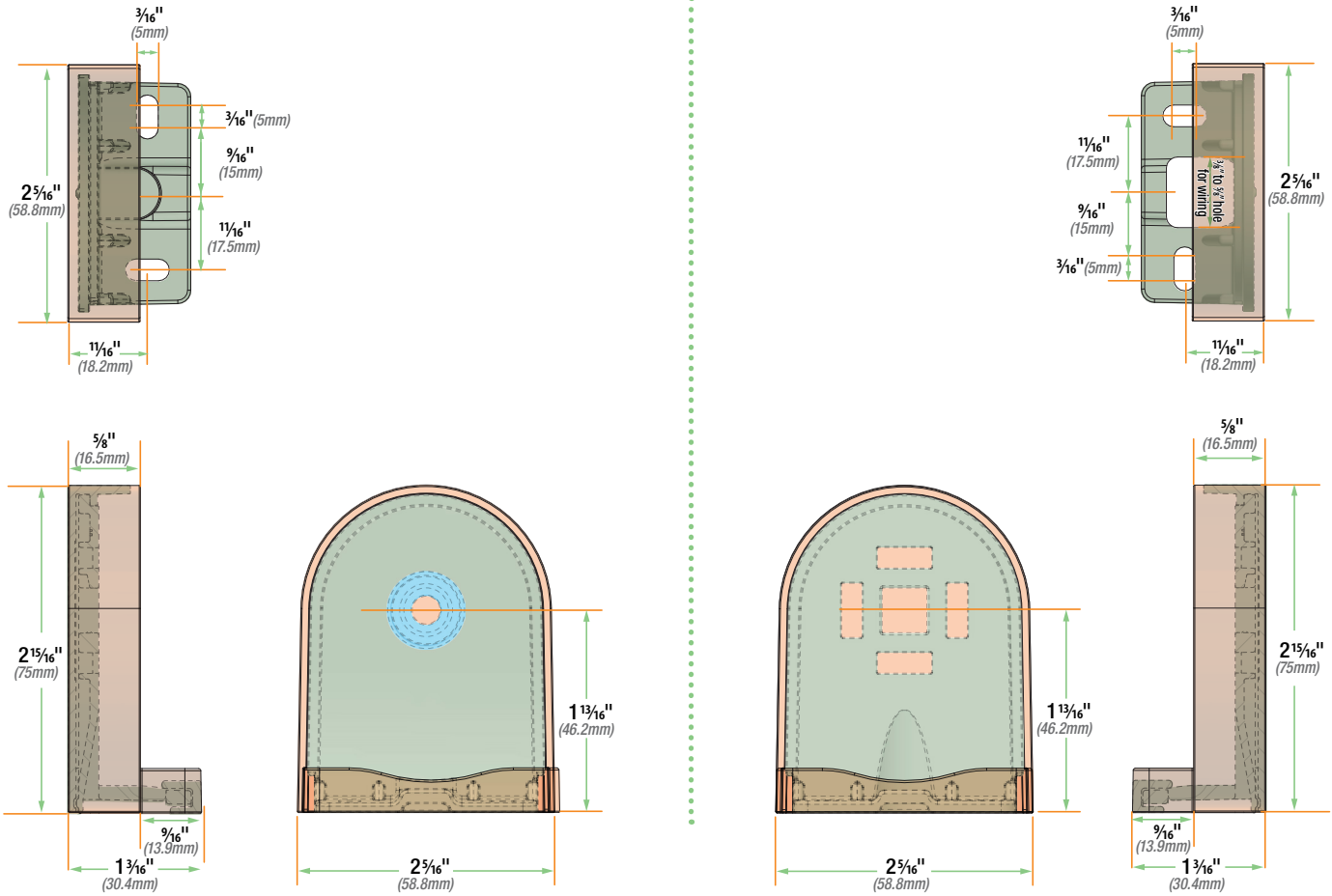


2. Slip the small curved end of the tool under the curved end of the bracket.



3. Pull off Bracket Cover. (A)
4. Pull off Bracket Cap. (B)

## Section 6 - Bracket Dimensions



## Section 7 - Shade Dimensions

