

# FlexShade® Tension ZIP

Motorized exterior skylight shading system.

## SUBMITTAL TECHNICAL INFO

Please check all appropriate selections and attach room schedule with verified dimensions.

Fabric Series: \_\_\_\_\_

Color Name / Number: \_\_\_\_\_

Openness Factor: \_\_\_\_\_

Please see [Draper® Fabric Options](#) for fabric colors and specifications.

### Select Hardware Options:

#### Select Headbox Style

- Curved
- Angled

#### Select Hardware Finish

- Black
- Bronze
- Ivory
- White
- Sand
- Silver

#### Side Channel Spreader Bar

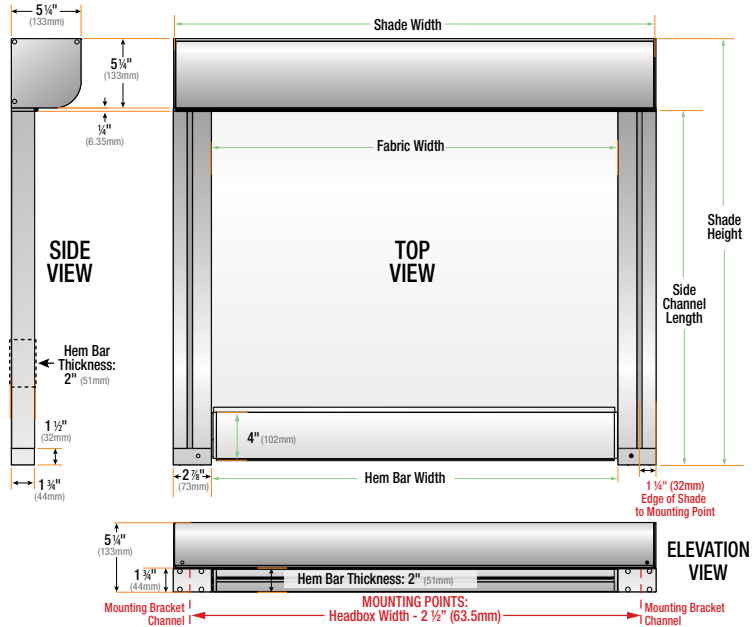
- No (standard)
- Yes

#### Select Zipper Color

- Black (standard)
- Grey

#### Select Liner Options

- Headbox
- Side Channel



### Select Operator and Controls

#### Select Motor Location (front view)

- Right (standard)
- Left

#### Select 120V AC Operator

- 120V RTS Motor (standard)
- 120V AC Motor

#### Select Motor Cable Exit

- Back (standard)
- Side
- None

#### Select Interior Control Options

- RTS
- Wireless Wall Switch
  - Decora RTS 1-Channel
    - White (standard)
    - Ivory
  - Decora RTS 5 Channel
    - White (standard)
    - Ivory

#### Select Exterior Control Options

- Telis 1 Patio Exterior Remote
- Telis 4 Patio Exterior Remote
- 1 Channel Soliris Patio Remote
- 4 Channel Soliris Patio Remote

#### Select Exterior Sensors

- Sunis Outdoor WireFree Sun Sensor
- Soliris-RTS Wind/Sun Sensor

### Available Sizes\*

LENGTH	WIDTH													
	40" 102cm	48" 123cm	60" 153cm	72" 183cm	84" 213cm	96" 244cm	108" 274cm	120" 305cm	132" 335cm	144" 366cm	156" 396cm	168" 427cm	180" 457cm	192" 488cm
12"	<b>CABLE ROUTING A SMALL SPRING</b>				<b>CABLE ROUTING B LARGE SPRING</b>									
24"														
36"														
48"														
60"														
72"														
84"	<b>CABLE ROUTING A LARGE SPRING</b>				<b>CABLE ROUTING B LARGE SPRING</b>									
96"														
108"														
120"														
132"														
144"														
156"	<b>SIZES NOT AVAILABLE</b>				<b>CABLE ROUTING B LARGE SPRING</b>									
168"														
180"														
192"														
204"														
216"														
228"	<b>SIZES NOT AVAILABLE</b>				<b>CABLE ROUTING B LARGE SPRING</b>									
240"														

Systems is intended for sun shading only.  
Unit must not be deployed or operated in any type of precipitation event.  
Retract the shade to prevent the accumulation of rain, ice or snow.  
Failure to do so may cause product to fail, and could result in serious injury or death.



Draper, Inc. | 411 S. Pearl St. Spiceland, IN 47385  
draperinc.com | 765.987.7999 | 800.238.7999

© 2023 All Rights Reserved | FORM: FlexShadeTension\_ZIP\_Sub23

PROJECT: \_\_\_\_\_

ARCHITECT: \_\_\_\_\_

CONTRACTOR: \_\_\_\_\_

SUPPLIER: \_\_\_\_\_

DATE: \_\_\_\_\_ REVISED: \_\_\_\_\_

## Specifications

**TENSION ZIP MOTORIZED SHADING SYSTEM:** Electrically operated, motorized, horizontal roll-up, fabric shading system. Assembly includes motor operator, controls, mounting hardware and other components necessary for complete installation.

**ELECTRIC OPERATOR:** 110-120V AC Tubular motor concealed inside shade roller tube.  
**LOCATION:** Right hand: standard; Left hand: as scheduled.

**RTS MOTOR (STANDARD):** Radio Technology Motor: 110-120V AC, single-phase, 60Hz, instantly reversible, lifetime lubricated motor with built-in radio receiver, equipped with internal thermal overload protector, electric brake, and pre-set accessible limit switches.  
*(Compatible with Wireless Radio Technology Controls.)*

**WIRED MOTOR (OPTIONAL):** 110-120V AC, single-phase, 60 Hz, instantly reversible, lifetime lubricated, and equipped with internal thermal overload protector, electric brake, and pre-set accessible limit switches.

**HEADBOX:** Cassette-style extruded aluminum sections.  
 5 1/4" x 5 1/4" (133 mm x 133 mm) by length required for shade being provided.  
**SHAPE:** Angled or Curved.  
**FINISH:** Silver, black, sand, white, ivory, or bronze polyester powder coat.

**ENDCAPS:** Aluminum end brackets with integral lugs for mounting of head box to side channels. Provide size compatible with headbox size.

**ROLLER:** 3" (76 mm) outside diameter *(at manufacturer's discretion)*; Constructed of Steel. Roller assembly is integrated with floating bracketry.

**ROLLER IDLER ASSEMBLY:** Plastic idler end roller insert fits over steel pin and rotates on pin with use of sealed bearing. Steel pin connects to bearing mounted to bracket mounted inside the headbox. Systems not using sealed bearings are not acceptable.

**FABRIC CONNECTION TO ROLLER TUBE:** Fabric panel incorporates pockets at the top and bottom to allow connection to the roller tube and to the hem bar. ZIP detail welded to the two vertical sides of the fabric panel.

**CHANNEL ENDCAPS:** Molded nylon insert to cover bottom of side channels.

**HEM BAR:** Weighted aluminum. Optional bottom liners.

**SIZE:** 2" x 4" (51mm x 105mm)

**FINISH:** Silver, black, sand, white, ivory, or bronze polyester powder coat.

**HEM BAR CONTAINMENT:**

**SIDE CHANNELS:** Extruded aluminum side channels incorporate plastic inner channels. Plastic inner channels held inside the extrusion by means of cushioning pads that also dampen the movement of the fabric panel under wind load. ZIP detail on the edge of the fabric panel runs inside inner channel to retain the fabric in place. Size: 2 7/8" x 1 3/4" (73mm x 44mm)

**FINISH:** Silver, black, sand, white, ivory, or bronze polyester powder coat.

**ZIPPER RETAINER:** Gray plastic with funnel at top for fabric guiding, spring clips are placed in retainer to reduce movement in channel and adjust for fabric shrink.

**ZIPPER:** Zipper is to be heat welded to the edge of the fabric. The zipper prevents the fabric from being pulled out of the side channel, and makes the product very wind resistant.

**TENSIONING CABLE:** Cable is to be Grey, 3mmØ, lightweight and high strength. 12-strand single braid Dyneema® SK78, with tough ArmourCoat® finish.

**MOUNTING BRACKETS:** Mounting Brackets are constructed of cast Aluminum.

**SPREADER BAR:** Spreader bar is constructed of 2" (51mm)Ø Aluminum Tube. Used when shade fabric tension distorts the side channels, interfering with shade operation.

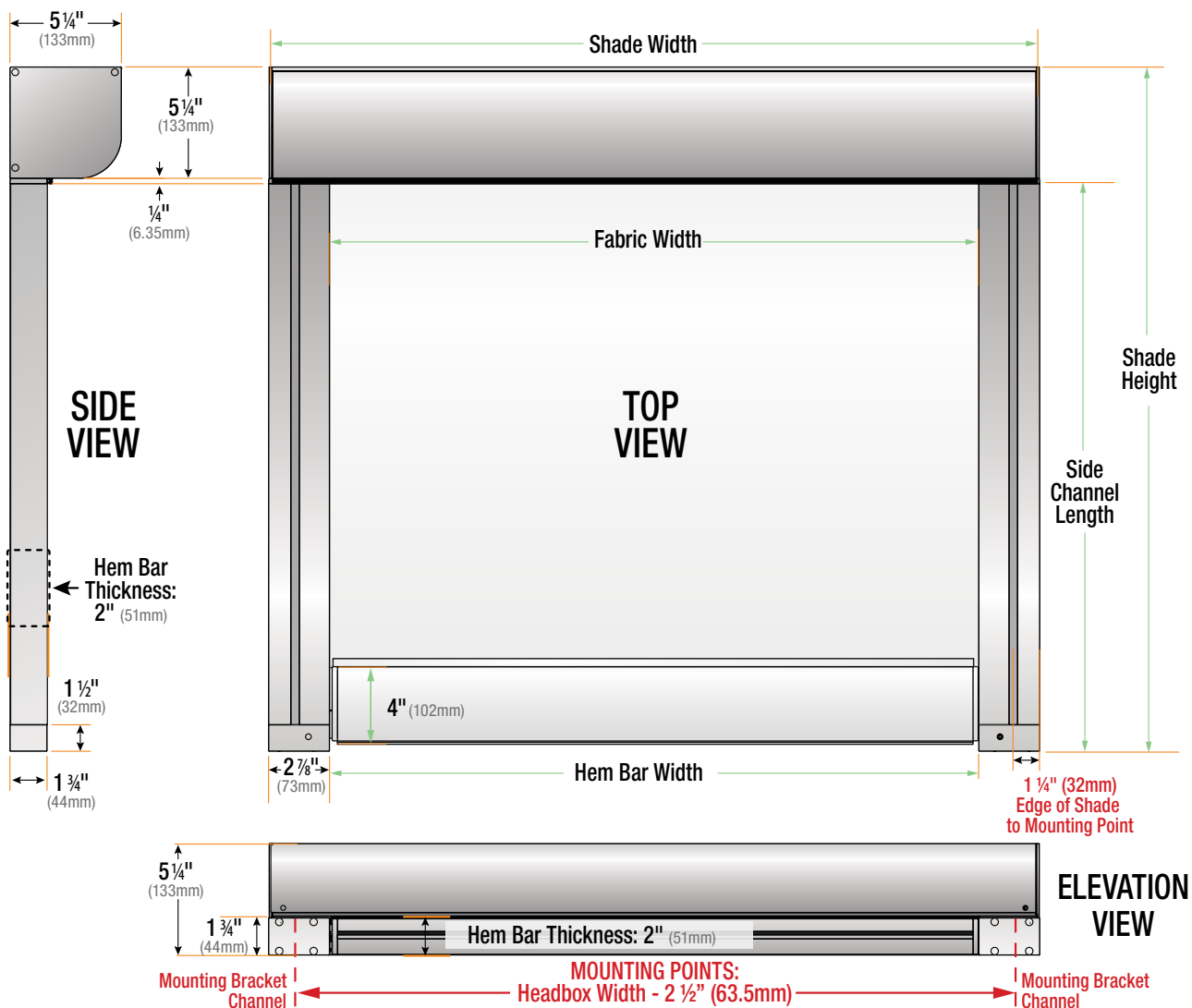
**TRIM 'L' ANGLES:** Trim 'L' Angles are extruded aluminum.

**PATENT INFORMATION:** <http://www.draperinc.com/legal/patents>

**DOWNLOADABLE 3-PART SPECIFICATIONS:** [www.draperinc.com](http://www.draperinc.com).

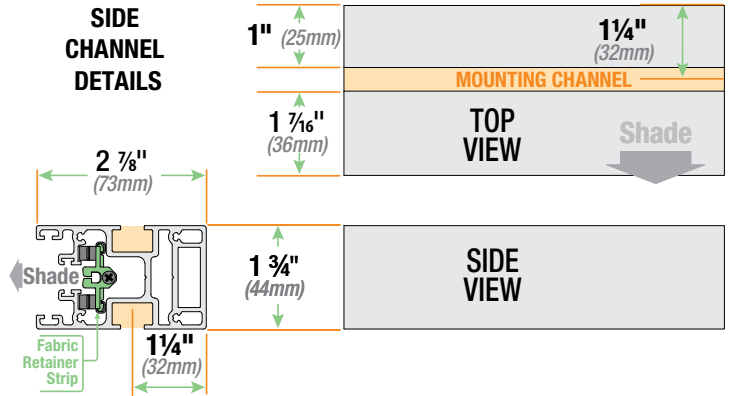
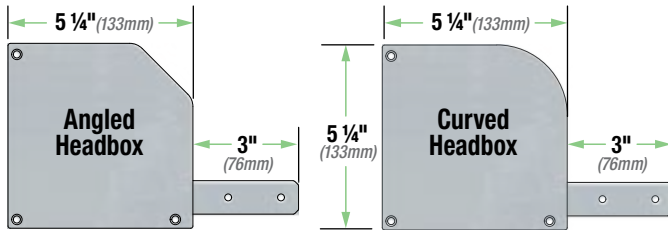
*Please note: Dimensions of rollers, operators, and hardware at manufacturer's discretion.*

## Dimensions



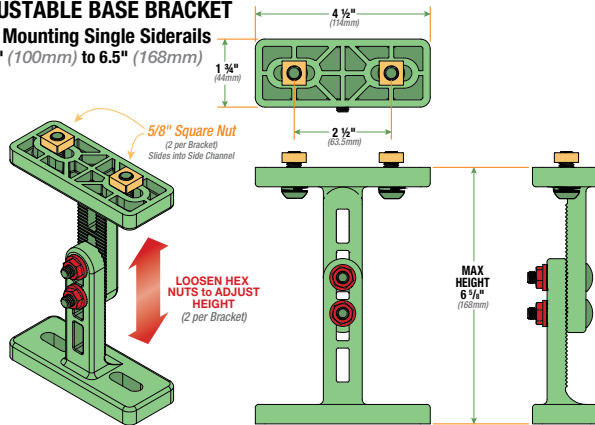
## Component Dimensions

### Headbox Styles & Dimensions



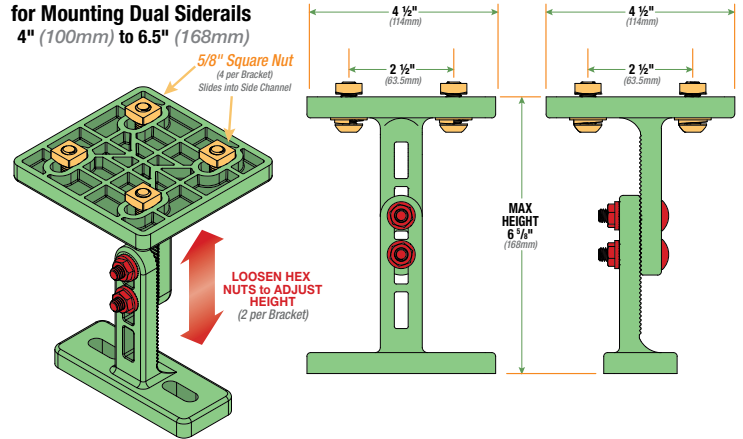
### ADJUSTABLE BASE BRACKET for Mounting Single Siderails

4" (100mm) to 6.5" (168mm)

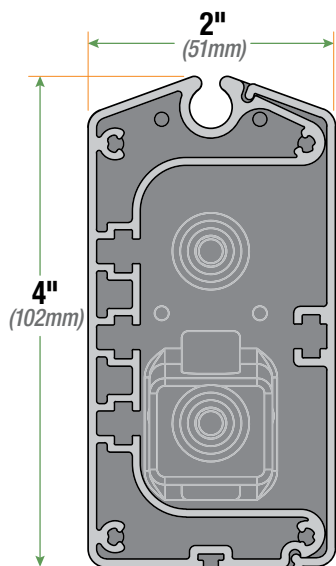


### ADJUSTABLE BASE BRACKET for Mounting Dual Siderails

4" (100mm) to 6.5" (168mm)



### Hem Bar Dimensions



### Hem Bar Liners

**Please Note:**

Liner is factory installed (if ordered).

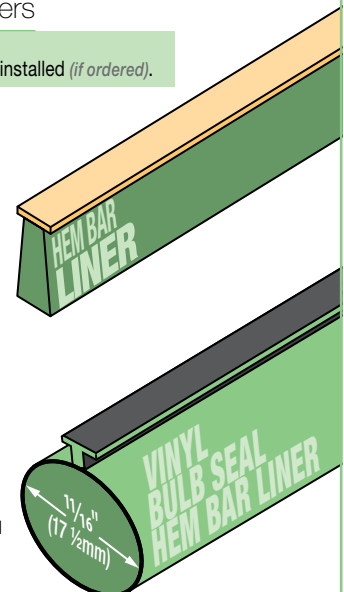
**C037.002:**  
.140" (3.6mm)  
height liner

**C037.003:**  
.310" (7.9mm)  
height liner

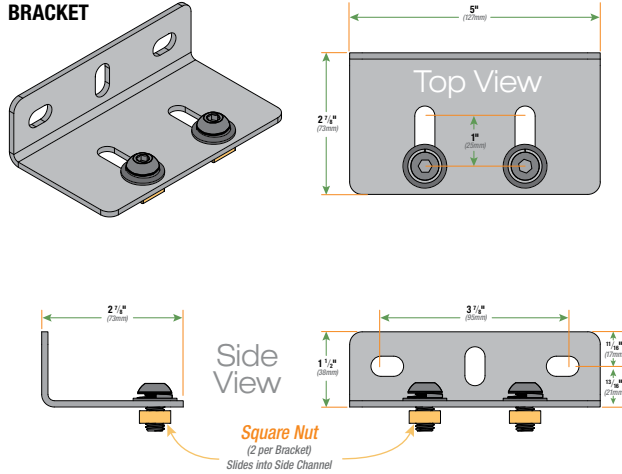
**C037.004:**  
.450" (11.4mm)  
height liner

**C037.015:**  
1" (25mm)  
height liner

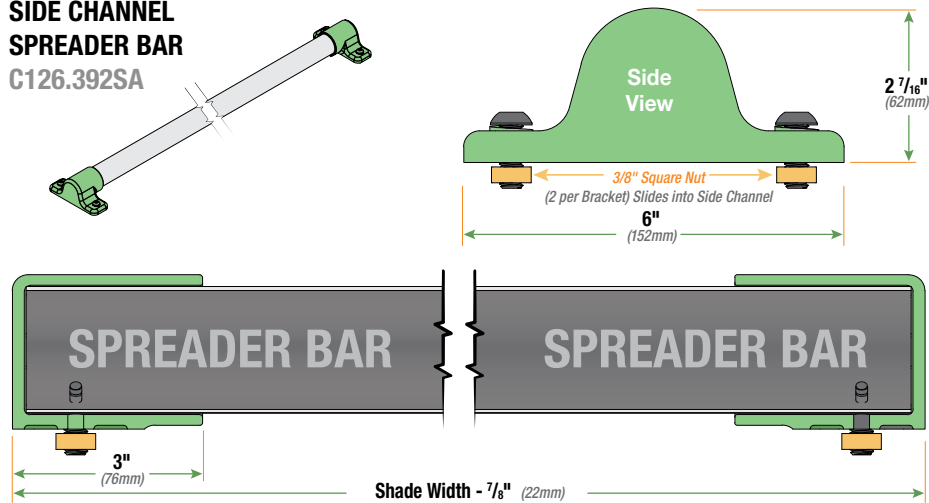
**C086.011:**  
Vinyl bulb seal



## MOUNTING BRACKET

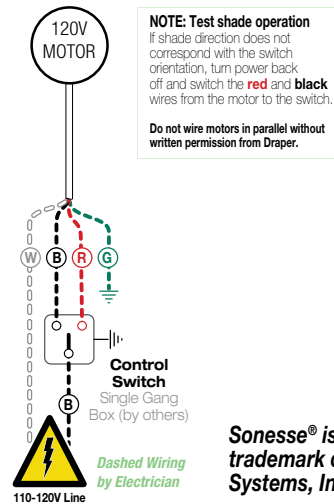


## SIDE CHANNEL SPREADER BAR C126.392SA



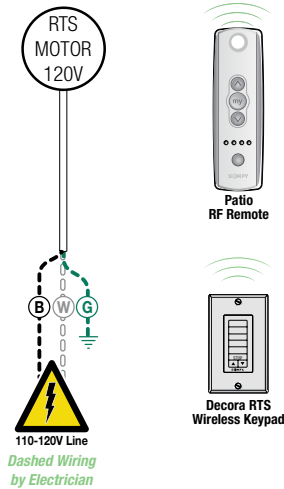
## Wiring Diagrams

### Controls & System Overview Sonesse® 120VAC Motors



## STANDARD

### Controls & System Overview Sonesse® RTS 120VAC Motors



Sonesse® is a registered trademark of Somfy® Systems, Inc.