

# FlexShade® ZIP 92 with Solar Panel

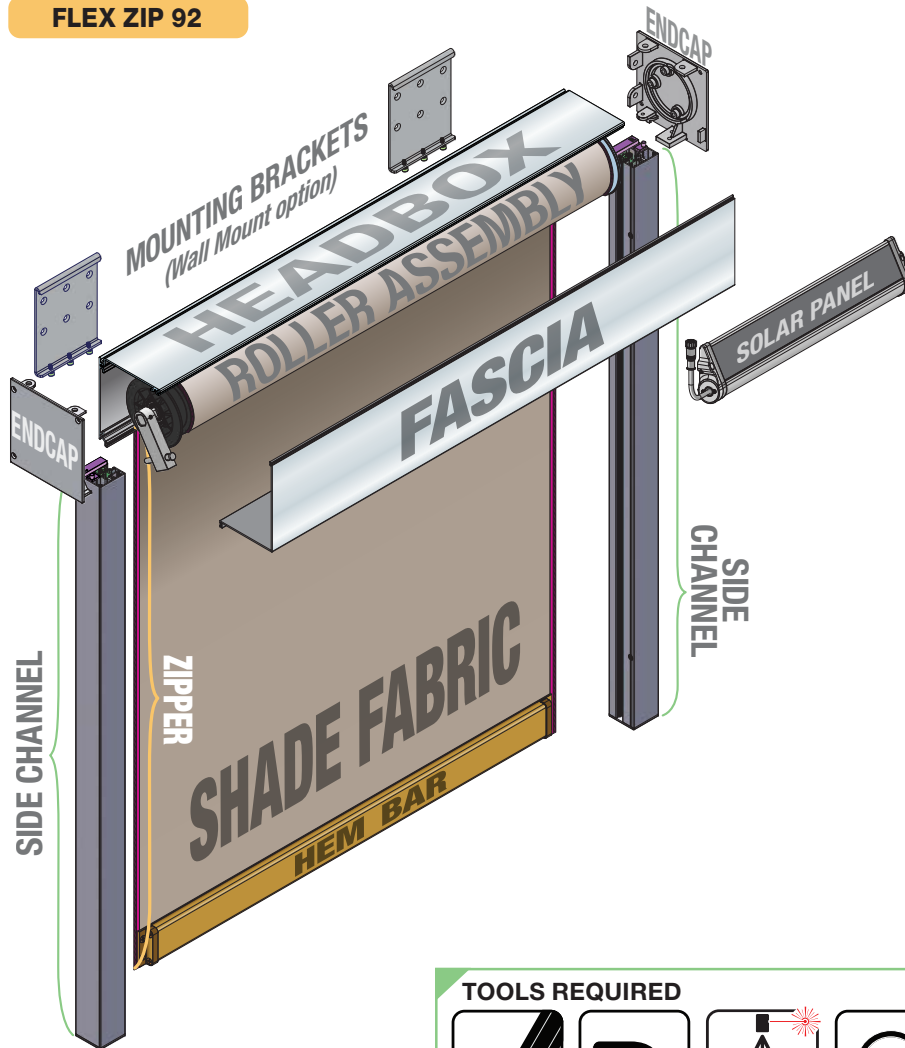
Exterior shading system, ZIP detail creates weather/shading barrier protects against wind, sun, snow, and insects to maintain a comfortable space



## INSTRUCTIONS INSTALLATION & OPERATION

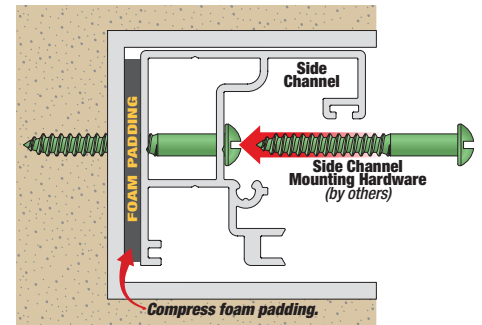
### Overview - Components

#### FLEX ZIP 92



#### Measuring Note for installing with ZIP 2" U Channel Adaptors (Page 12)

Please note before ordering shade.



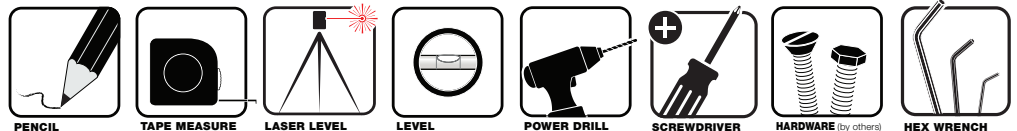
#### Please Note:

The following applies **ONLY** if installing with a 2" U Channel accessory, as shown on Page 12.

- If measuring **BEFORE** a 2" U channel adaptor is installed, measure **INSIDE** of the recess or between jambs and deduct 1/2" from width measure as Inside Measurement entry.
- If measuring **AFTER** a 2" U channel adaptor is installed, measure **INSIDE** of U channel adaptors and deduct 1/4" from width measure as Inside Measurement entry.

**IMPORTANT:** Use the narrowest measurement at the top/middle/bottom.

#### TOOLS REQUIRED



#### ⚠ CAUTION ⚠

Read and understand all warnings before beginning installation.

#### Contents

Overview - Components.....	1	Section 10 - Channel Adaptors.....	14
PLEASE READ - Important Safety and Installation Information.....	2	Section 11 - Cable Exit.....	14
PLEASE READ - Cleaning and Maintenance.....	2	Section 12 - Reinstalling Side Channel Covers.....	15
Section 1 - Site Preparation.....	3	Section 13 - Replacing Fascia.....	15
Section 2 - Mounting Headbox with Brackets.....	4	Section 14 - Installing Solar Panel.....	16
Section 3 - Removing Fascia.....	5	Section 15 - Programming the Transmitter.....	16
Section 4 - Removing Shade Roller Assembly.....	6	Section 16 - Limit Switch Setup.....	17
Section 5 - Direct Mounting to Ceiling or Wall.....	7	Section 17 - Setting Limits Individually.....	18
Section 6 - Replacing Roller Assembly.....	8	Section 18 - Advanced Programming.....	19
Section 7 - Installing Side Channels: Wall or Face Mounted Shade.....	9	Section 19 - Dimensions.....	20
Section 8 - Installing Side Channels: Jamb Mounted Shade.....	10	Section 20 - Overall Dimensions.....	21
Section 9 - Mounting Headbox and Side Channels in Recessed Pockets.....	12		

If you have any difficulties installing or servicing your FlexShade ZIP, call your dealer or Draper, Inc.



Draper, Inc. | 411 S. Pearl St. Spiceland, IN 47385  
draperinc.com | 765.987.7999 | 800.238.7999

© 2026 All Rights Reserved | FORM: FS\_ZIP\_92\_Solar\_Panel\_Inst26

## PLEASE READ - Important Installation Information

### ⚠ Caution:

1. Inspect all boxes to make sure you have received the proper shades and parts. Controls may be shipped separately, or in same carton as shades.
2. Open cartons lengthwise, taking care not to cut into cardboard shipping container.
3. Before mounting shades, verify measurements on label provided with shade, and ensure unit is installed at correct width.
4. All endcaps, fascia, headbox, and other hardware must be installed level. Shades must be level and square.
6. Read the following installation guidelines thoroughly and follow them carefully. Failure to do so may cause product to fall or otherwise fail, and invalidates warranty.
7. Installer is responsible for selecting mounting hardware appropriate for site conditions.

**WARNING: DO NOT OPERATE SHADE OUTSIDE OF SIDE CHANNELS – ZIPPERS MUST BE RETAINED IN SIDE CHANNELS PRIOR TO OPERATING SHADES OR SHADE FABRIC MAY BECOME DAMAGED!**

## PLEASE READ - Safety Information

### Important Safety Information



### WARNING

### Important Safety Information

Improper installation and use of the FlexShade® ZIP can result in serious injury or death. Primarily, injuries can occur if the unit falls due to imprecise installation, mishandling of the unit during installation, or installation on an insufficient wall or ceiling structure. Please use extreme care.

1. Please read the following installation guidelines thoroughly and follow them carefully. Failure to do so may cause product to fall or otherwise fail, and could result in serious injury.
2. Installation and calibration of the unit should only be performed by an authorized, qualified, and experienced professional. In particular, electrical work and wiring [indicated in diagram by dashed lines] must be completed only by a qualified professional electrician who has read this manual completely and is familiar with the construction and operation of this equipment and the hazards involved.
3. Do not affix the unit to wall or ceilings that have inadequate strength to permanently hold the unit during use. It is the owner's and installer's responsibility to confirm the wall or ceiling to which the unit attaches is sufficient to permanently hold the weight and stress loads of the unit at all times. Draper®, Inc., is not responsible for improper installation, application, testing, or workmanship related to the product at place of installation.
4. It is the installer's responsibility to make sure appropriate fasteners are used for mounting.
5. All brackets, fascia, headboxes, pockets, wall clips, and other hardware must be installed level. Unit must be level and square.
6. Never leave the area while operating the unit during installation, maintenance, or normal operation, unless it is secure and safe.
7. Before testing or operation, carefully inspect the entire area and path of the shade and areas underneath the shade to be sure no persons or objects are in the area.
8. Turn off power and any nearby equipment or cables carrying electricity before connecting switches, wires, controls, or electrical components.
9. If applicable, ensure the limit switches are pointed down or accessible when placing the motor in brackets/endcaps.
10. All motors should be tested and limits set using test cord before shades are wired.
11. Do not wire motors in parallel without written permission from Draper, Inc.
12. During testing or operation, carefully watch the surrounding area for any potential safety concerns including nearby persons or objects.
13. Do not use an extension cord. If the power supply cord is too short, have a qualified electrician install an outlet near the drapery operator.
14. After installation, the entire system, including all sensors, should be carefully tested to ensure safe and normal operation. Extreme care should be taken during testing to remain clear of moving parts to avoid possible injury.
15. Operation of unit should be performed only by authorized and qualified personnel, who have been trained in the safe and effective operation of the unit and understand its safety features.
16. The safety features of the unit, including sensors, should never be disabled, bypassed, or overridden. The system should not be operated until all safety features, including the sensors, are properly and completely installed, calibrated, and tested.
17. Unit may need to comply with local, state, or district rules and regulations, in particular when installed in schools. All applicable rules and regulations should be reviewed before installation and use.
18. Failure to precisely follow installation guidelines invalidates all warranties.
19. Custom products/installations may not be reflected in this manual. Call Draper, Inc., if you have questions about the installation of custom products or any questions about your installation.

### Before Beginning Installation

1. Look for any job site conditions that could interfere with installation or operation of the system.
2. Read carefully and be sure to understand all installation instructions and all related operations manuals. These instructions are intended to serve as a guide for the installer and owner. They should be followed closely and combined with the expertise of experienced qualified installers. Draper, Inc., is not responsible for improper installation, application, testing, or workmanship related to the product at place of installation. Please retain all instructions for future use.
3. Open cartons lengthwise.
4. Locate and lay out all pieces.
5. Inspect all boxes to make sure you have received the proper shade and parts. Controls may be shipped separately, or in same carton as shade.
6. If you have any difficulties with installing, servicing, or operating your shade, call your dealer or Draper, Inc., 765-987-7999.

## PLEASE READ - Cleaning and Maintenance

Window covering products manufactured by Draper, when properly installed, should require no operational maintenance or lubrication. However, exterior shading systems require additional cleaning and maintenance as needed.

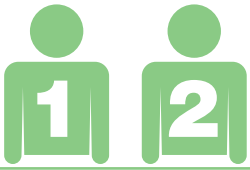
Most standard Draper fabrics may be cleaned by vacuuming with a soft brush attachment. They also may be cleaned by using a sponge or soft cloth and mild solution of warm soapy water. A mild dishwashing liquid is recommended. A clean dry cloth is recommended for the metal finish.

Please refer to the document [Caring For Your Draper@Home Outdoor Window Shades](#), available on the Draper website.



## Section 1 - Site Preparation

### RECOMMENDED PERSONNEL



**Please Note:** Draper recommends that a team of at least **TWO (2)** people install this product.

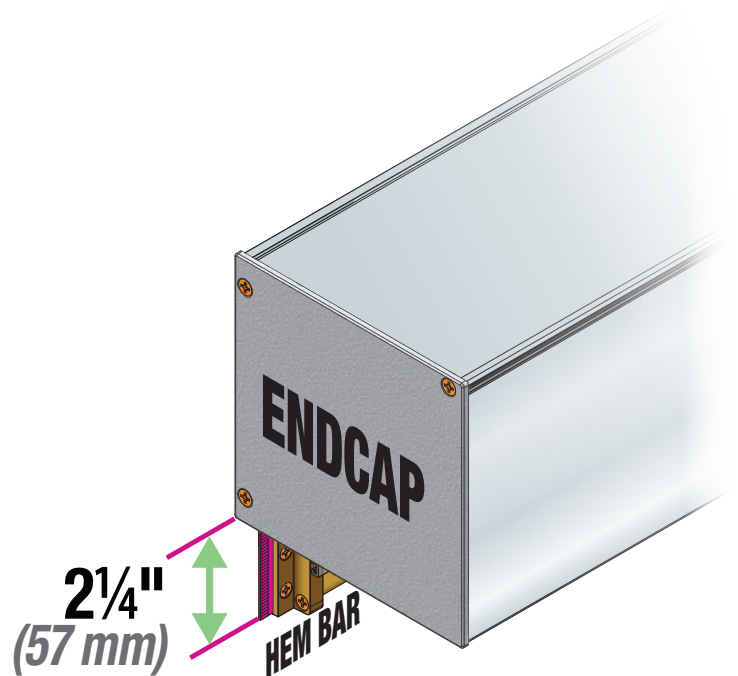
**⚠ Caution:** Before mounting shades, verify measurements on label provided with shade, and ensure unit is installed at correct width.

**Please Note:** Installer is responsible for selecting mounting hardware appropriate for site conditions.

1. Inspect all items prior to assembly:
  - a) Open cartons lengthwise and lay out all pieces.
  - b) Ensure that product is as ordered by checking pieces against Page 1 of this document.
  - c) Arrange all pieces on flat surface in the general manner they are to be installed.
2. Ensure mounting surface is strong enough to hold unit.
3. Look for any site conditions that could interfere with installation or operation.
4. Verify unit measurements, ensuring it will fit in the desired location.

**Please Note:**

Hem Bar does **NOT** retract into the Headbox. Provide at least **2¼" (57mm)** clearance if mounting over a swinging window or door. Refer to Section 16, Page 15 for Hem Bar dimensions and details to determine adequate clearance.



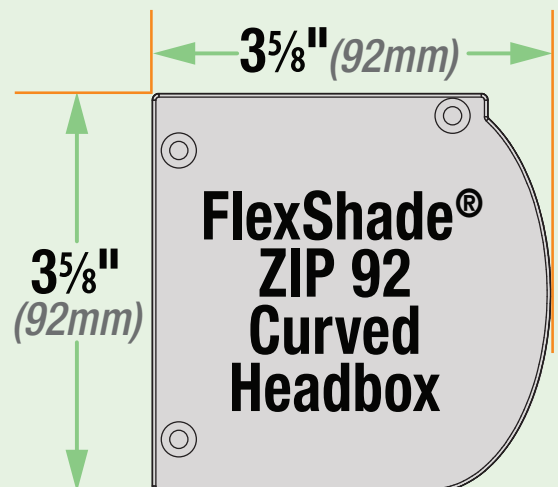
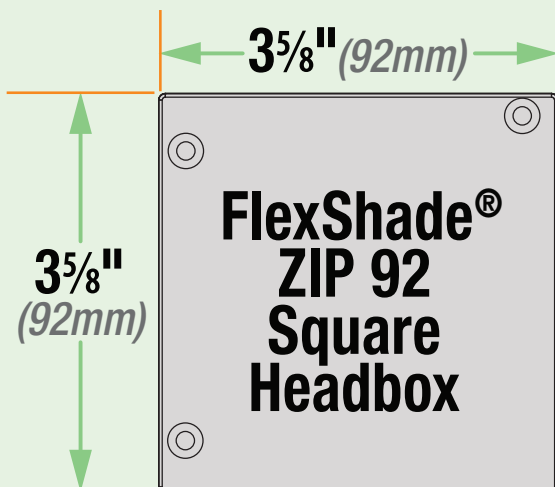
**IMPORTANT: DO NOT** trim top of side channels.

**WARNING: DO NOT OPERATE SHADE OUTSIDE OF SIDE CHANNELS – ZIPPERS MUST BE RETAINED IN SIDE CHANNELS PRIOR TO OPERATING SHADES OR SHADE FABRIC MAY BECOME DAMAGED!**

**Please Note: Refer to appropriate sections within this document for different installation options:**

**SECTION 2, PAGE 4**  
 Mounting Headbox with Brackets  
*(Standard Installation, Curved or Square Headbox)*

**SECTION 3, PAGE 5**  
 Direct Mounting to Ceiling or Wall  
*(Alternate Installation, Curved or Square Headbox)*



## Section 2 - Mounting Headbox with Brackets (Standard Installation Method)

**Note:** Mounting Bracket positioning as directed in Section 1. Ensure brackets are level.

**Please Note:** Installation requires use of **AT LEAST TWO (2)** of the top mounting holes.

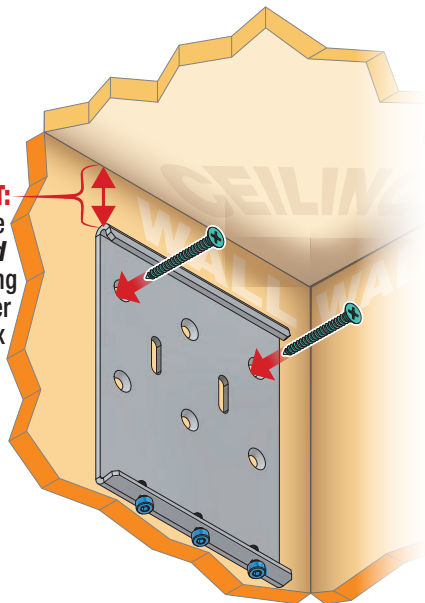
1. Attach Mounting Brackets to mounting surface using #10 flat head screws. Install flush with bracket.

**Please Note:** Ensure top of bracket is at least  $\frac{5}{16}$ " below ceiling.  
(See Drawing A at right.)

**Please Note:** Mounting Brackets **MUST** be installed with a minimum gap of  $1\frac{3}{4}$ " (44mm) between the Endcap and the Mounting Bracket edge to allow for Side Channels. Mark wall.  
(See Drawing B at right.)

**Note:** Mounting height of product = Product OM height

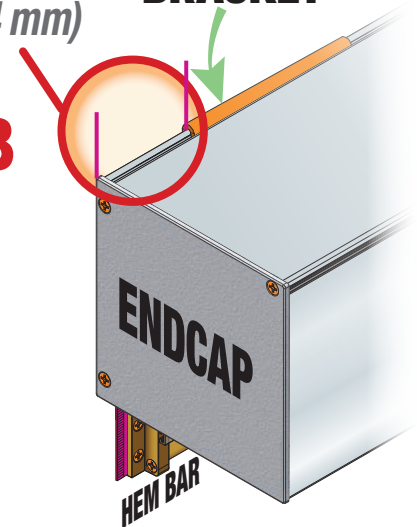
**A**  
**IMPORTANT:** Minimum clearance of  $\frac{5}{16}$ " is **required** between ceiling and bracket in order to tilt headbox into bracket.



$1\frac{3}{4}$ "  
(44 mm)

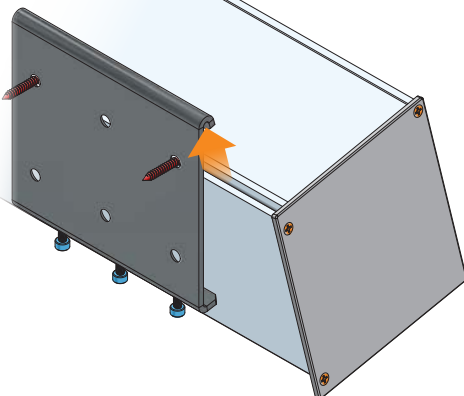
**MOUNTING BRACKET**

**B**

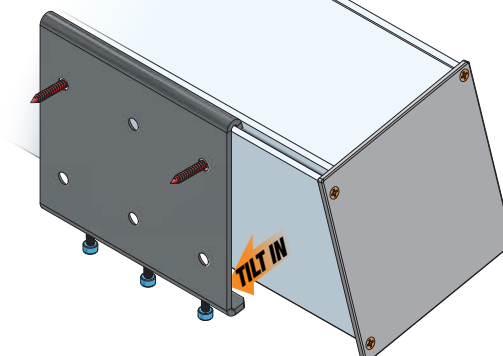


2. Attach Headbox to brackets.

**A.** Lift Headbox into Bracket, ensuring return of Bracket fits into Headbox channel.

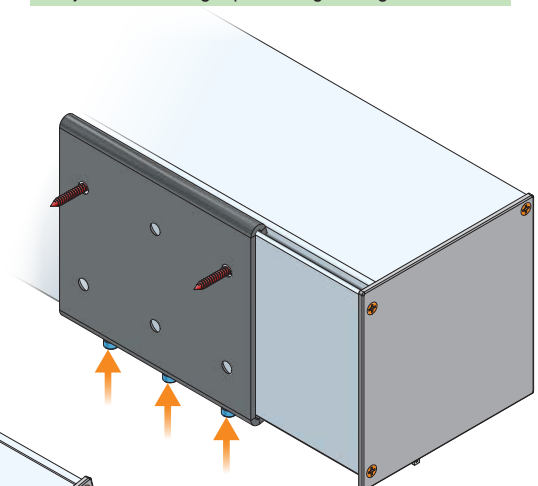


**B.** Tilt Headbox into bottom lip of Bracket.



**C.** Check headbox position and adjust if needed, then tighten set screws to lock position.

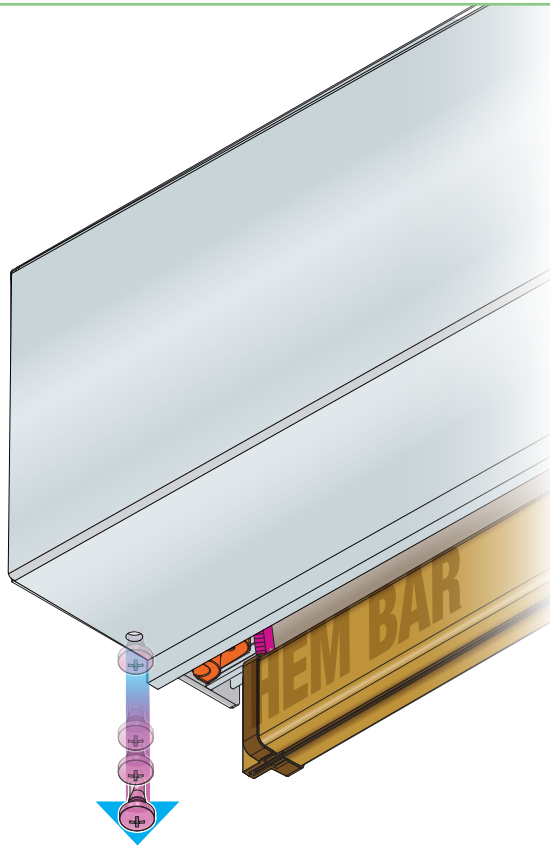
**Please Note:** Headbox position on brackets can be adjusted left or right prior to tightening set screws.



## Section 3 - Removing Fascia (Optional Step)

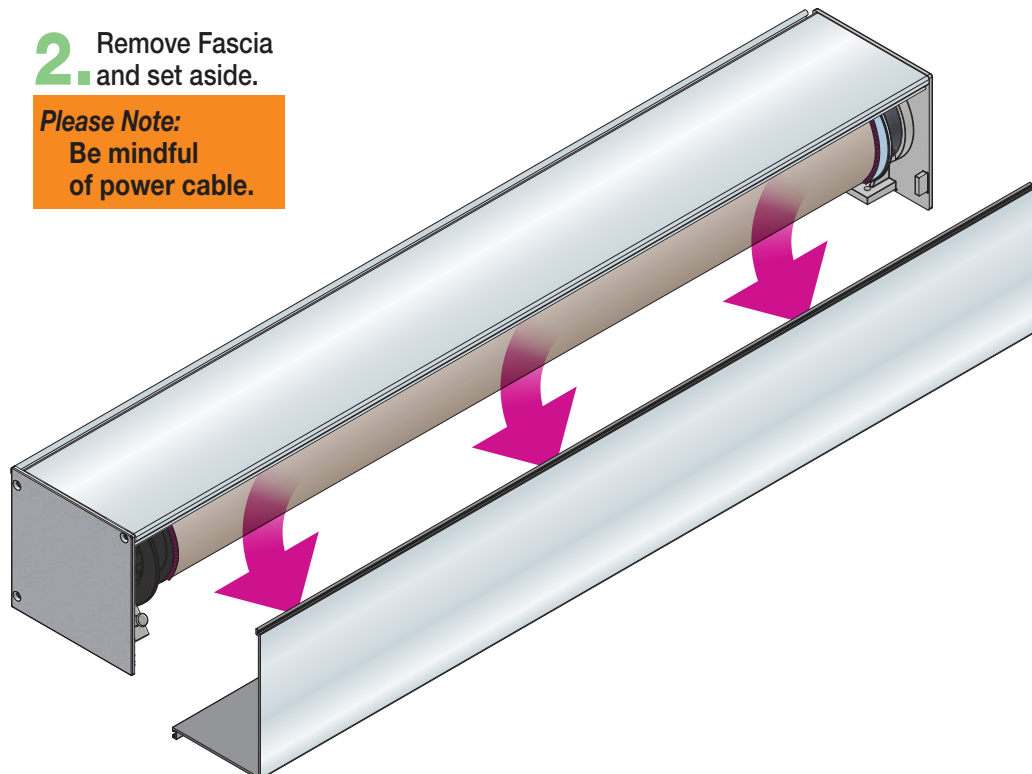
**Please Note:** Fascia **ONLY** requires removal if directly attaching shade to mounting surface (Section 5, Page 6). Removing fascia is **OPTIONAL** for all other methods of installation.

1. Remove Screws from bottom of Headbox.



2. Remove Fascia and set aside.

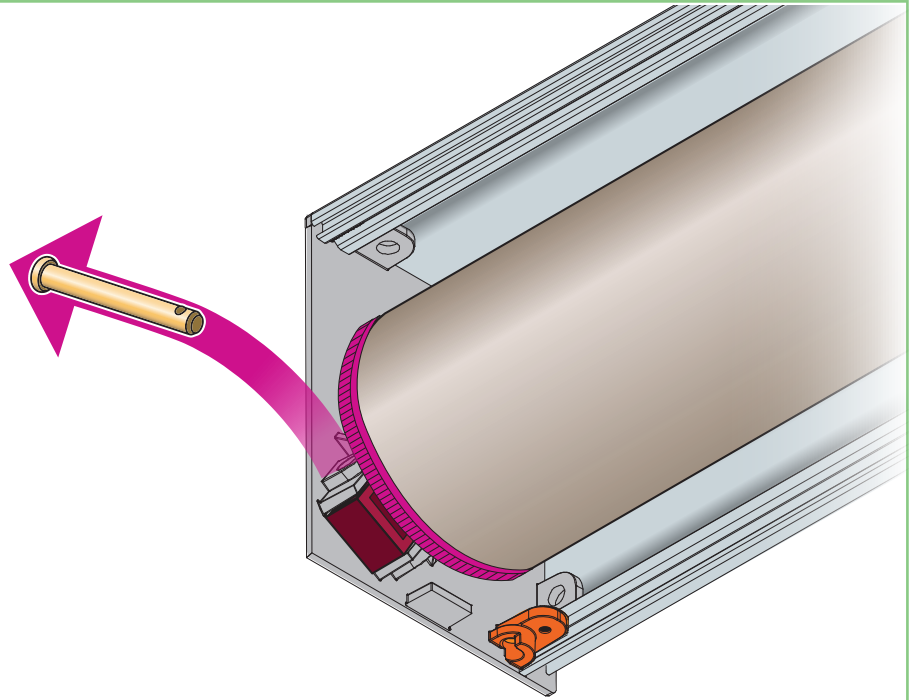
**Please Note:**  
Be mindful  
of power cable.



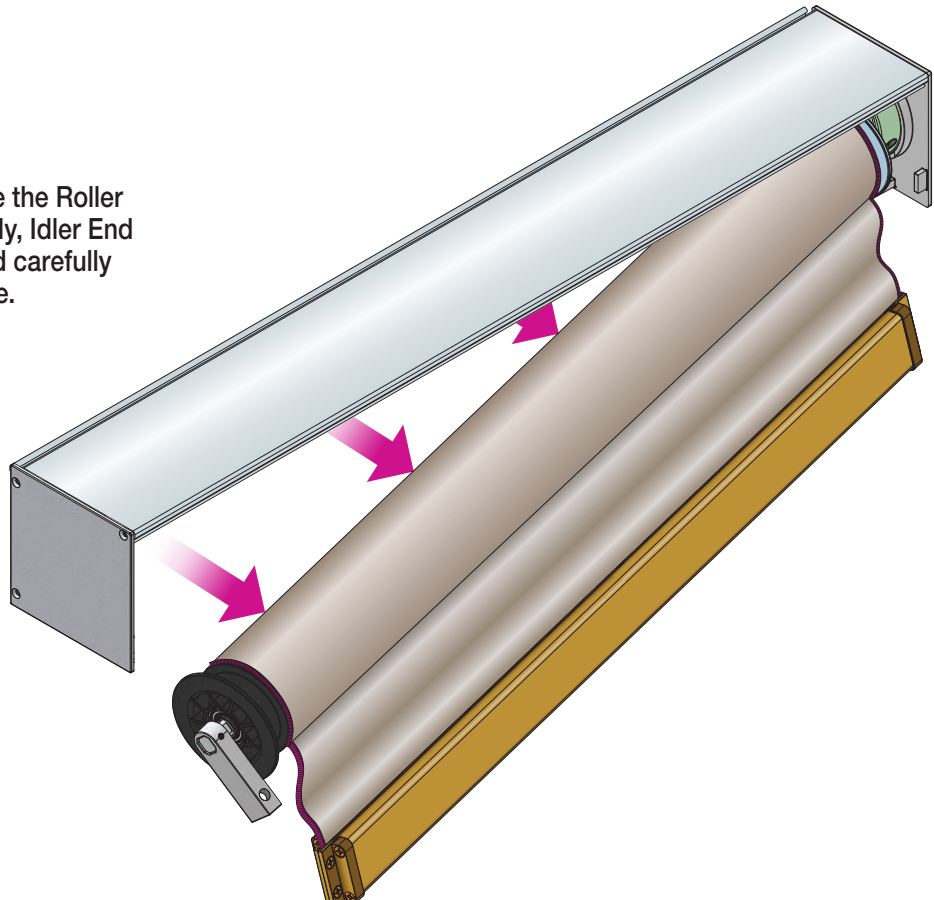
## Section 4 - **Removing Shade Roller Assembly** (Optional Step)

**Please Note:** Shade Roller **ONLY** requires removal if directly attaching headbox to mounting surface (Section 5, Page 7).

- 1.** Remove the Quick Release Pin from Idler End of Roller Assembly.  
(Hem Bar not shown.)



- 2.** Remove the Roller Assembly, Idler End first, and carefully set aside.



## Section 5 - Direct Mounting to Ceiling or Wall

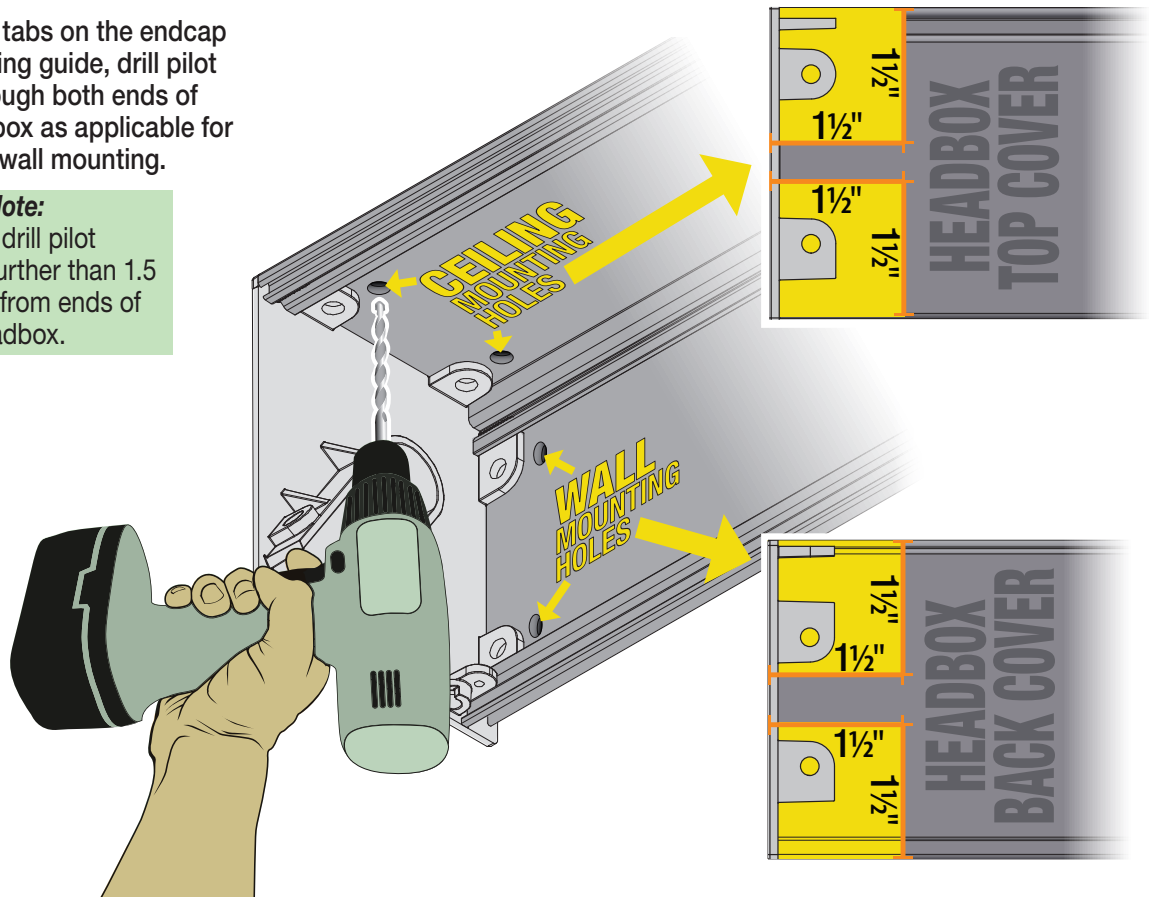
(Alternate Installation Method)

**NOTE:** This step requires removing Fascia and Roller Assembly.  
See Section 3 - Removing Fascia (Page 5) and Section 4 - Removing Shade Roller Assembly (Page 6).

1. Using the tabs on the endcap as a spacing guide, drill pilot holes through both ends of the Headbox as applicable for ceiling or wall mounting.

**Please Note:**

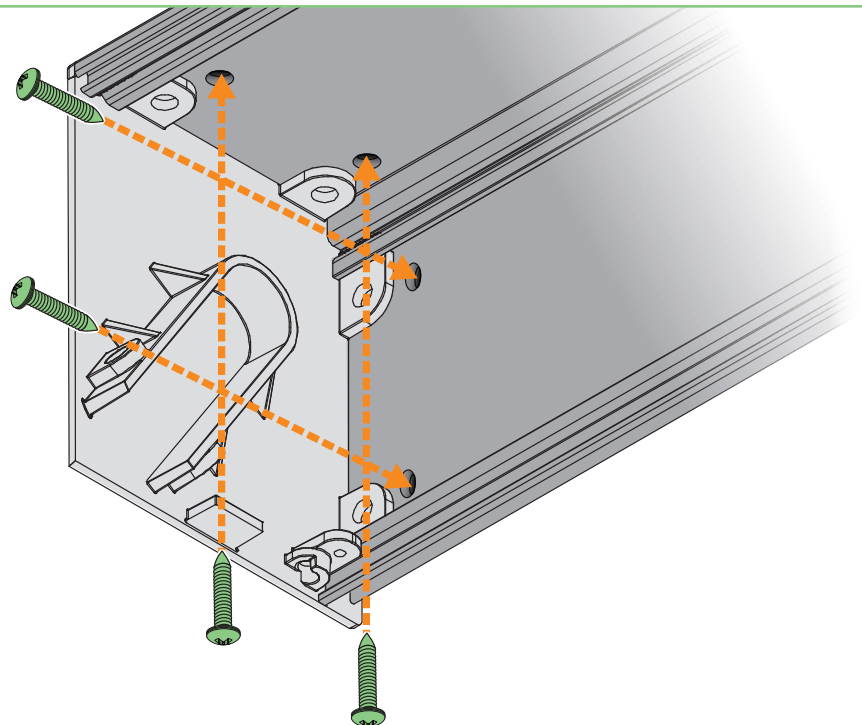
Do not drill pilot holes further than 1.5 inches from ends of the headbox.



2. Attach to mounting surface using appropriate fasteners.

**Please Note:** Installer is responsible for selecting mounting hardware appropriate for site conditions.

3. Replace roller assembly and fascia as shown in Section 11 - Replacing Roller Assembly & Fascia (Page 14).
4. Proceed to Section 6 - Installing Side Channels: Wall or Ceiling Mounted Shade.

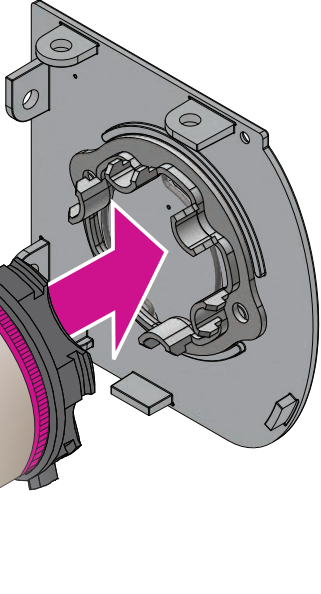


## Section 6 - Replacing Roller Assembly (If applicable)

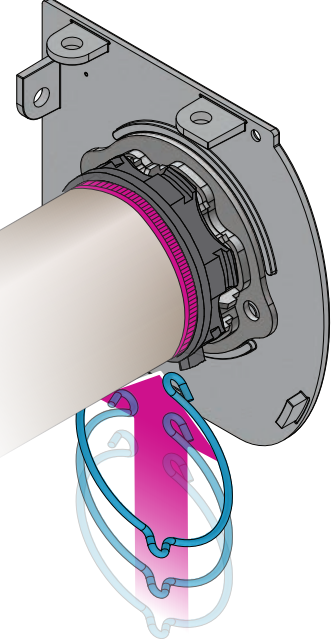
**Please Note:** Fascia and Roller Assembly only require removal if shade is directly mounted to mounting surface. Removing fascia is **OPTIONAL** for all other methods of installation.

**Please Note:** Section 10 (Reinstalling Side Channel Covers) must be completed **before** replacing the Fascia.

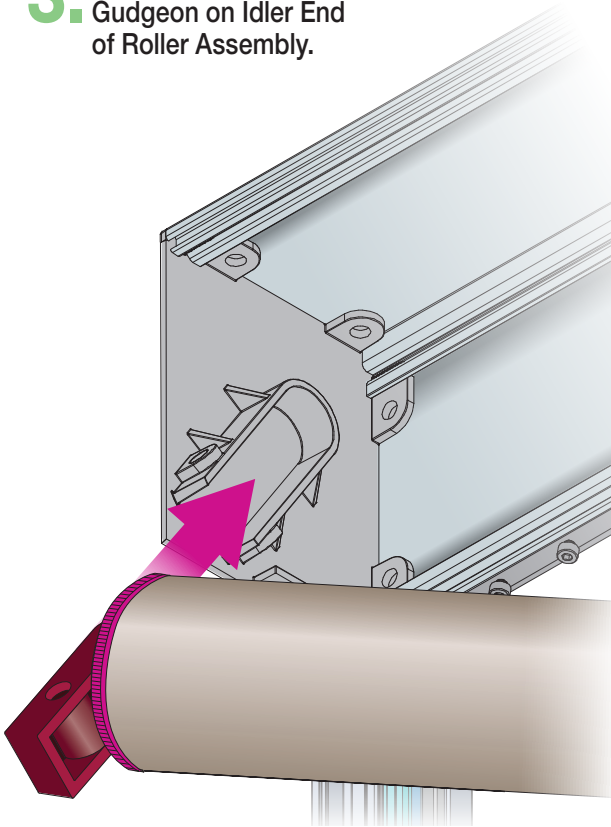
1. Replace Motor End of Roller Assembly. (Headbox not shown)



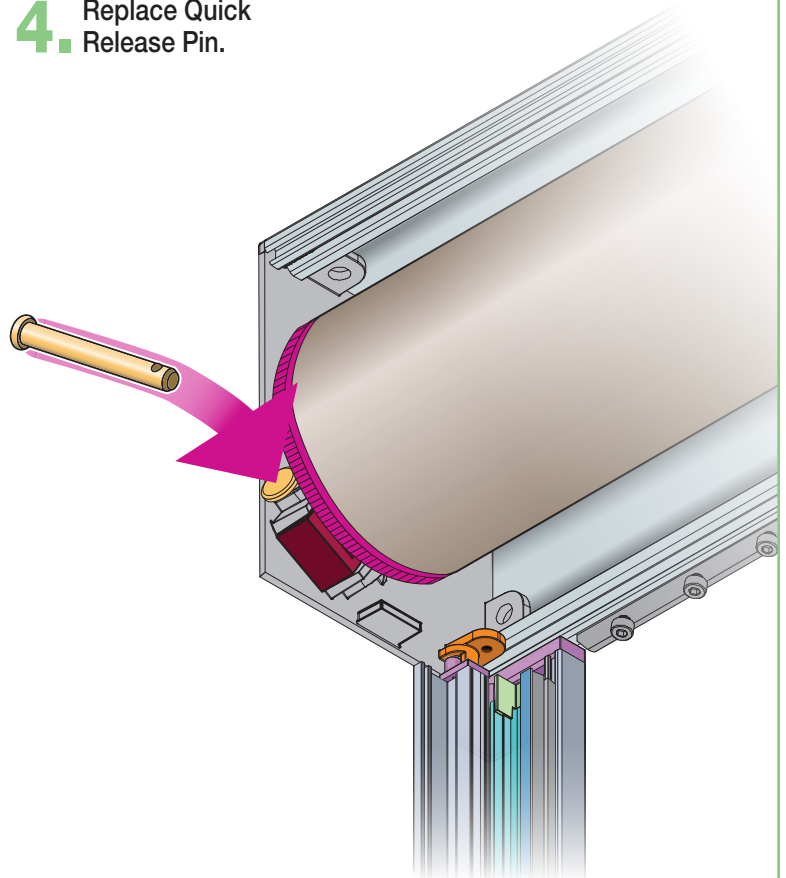
2. Replace Motor Clip. (Headbox not shown)



3. Replace Idler Mounting Gudgeon on Idler End of Roller Assembly.



4. Replace Quick Release Pin.



## Section 7 - Installing Side Channels: Wall or Face Mounted Shade

**NOTE:** Side Channels must be installed parallel and square with a tolerance of  $\frac{1}{8}$ ".  
Each side channel should be installed plumb with a tolerance of  $\frac{1}{16}$ " over height of opening.

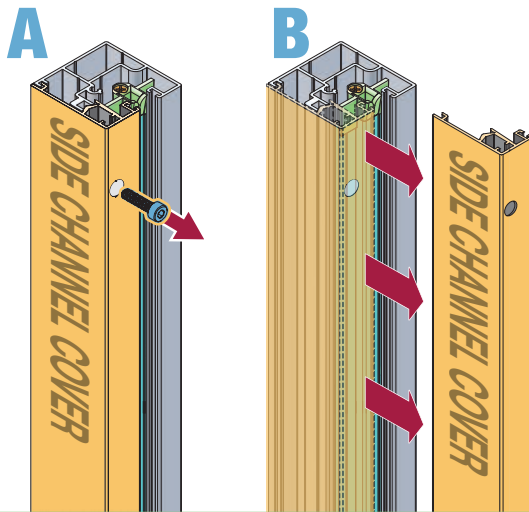
**IMPORTANT:** DO NOT trim top of side channels.

1. **A.** Use a 3mm Hex Wrench to remove screws from Side Channels.
- B.** Remove Side Channel Covers. Ensure that covers are matched back to same side channels.

**TIP:** Use a pencil to scribe "L" (left) and "R" (right) on inside of covers.

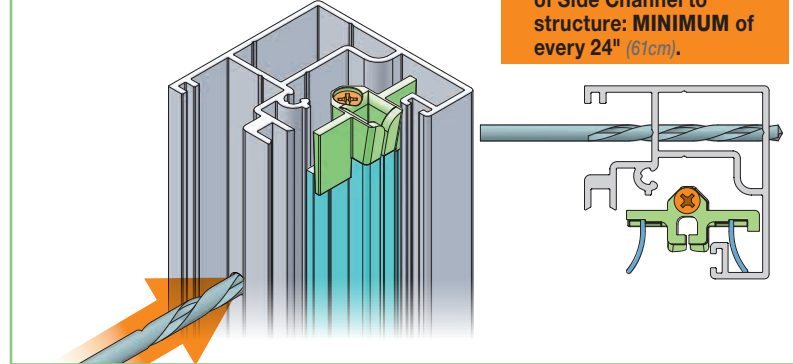
**WARNING:** DO NOT remove the Bottom Caps from Side Channels unless trimming of side channels is required.

**WARNING:** If trimming is required, remove bottom cap and trim to required length. DO NOT alter position of inner plastic retainer. Ensure cut is straight & clean as parts will be visible after installation.



2. Mark and drill Side Channels at desired mounting points.

**Please Note:** REQUIRED attachment of Side Channel to structure: MINIMUM of every 24" (61cm).

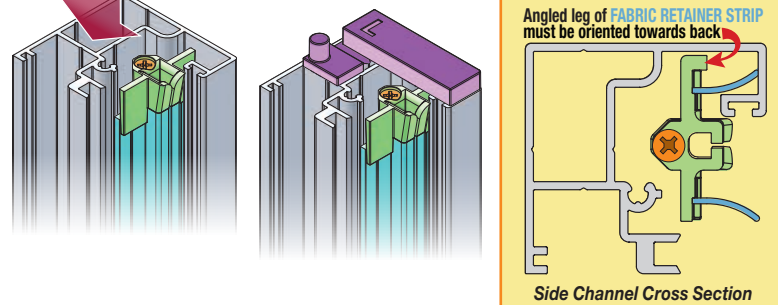


3. Insert Side Channel Guide into Side Channels.

**Please Note:** Guides are labeled "L" (Left) and "R" (right).

**Please Note:** Ensure fins are not pinched, folded or deformed.

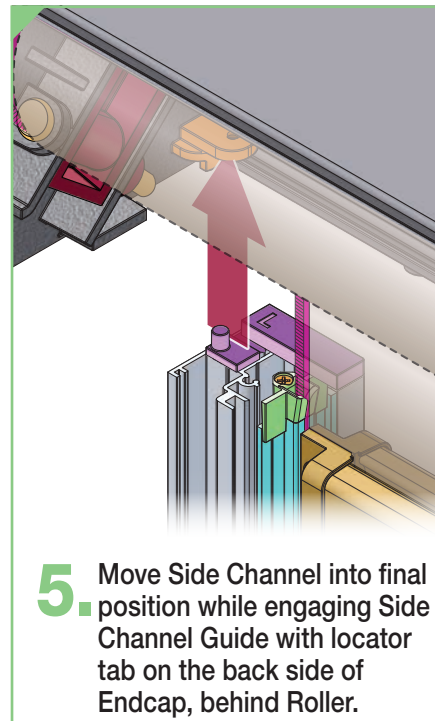
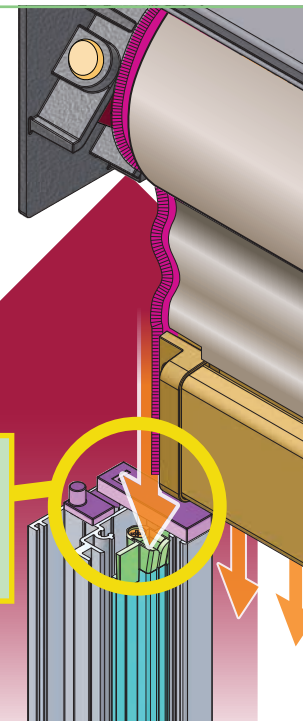
Angled leg of FABRIC RETAINER STRIP must be oriented towards back



Side Channel Cross Section

4. While bringing Side Channel into position, insert shade fabric Zipper on one side of Hem Bar into fabric retainer in Side Channels.

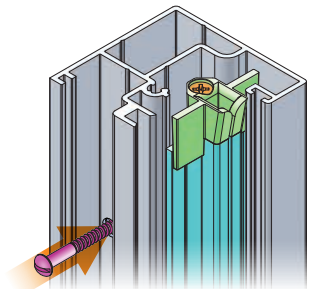
**Please Note:** Ensure that zipper feeds into funnel at top of fabric retainer and is retained inside the fabric retainer.



5. Move Side Channel into final position while engaging Side Channel Guide with locator tab on the back side of Endcap, behind Roller.

6. Attach Side Channels to wall/structure using appropriate fasteners. (Headbox not shown.)

**Please Note:** REQUIRED attachment of Side Channel to structure: MINIMUM of every 24" (61cm).



7. Repeat process for opposite Side Channel.
8. Proceed to Section 9 - Reinstalling Side Channel Covers (Page 12).

## Section 8 - Installing Side Channels: Jamb Mounted Shade

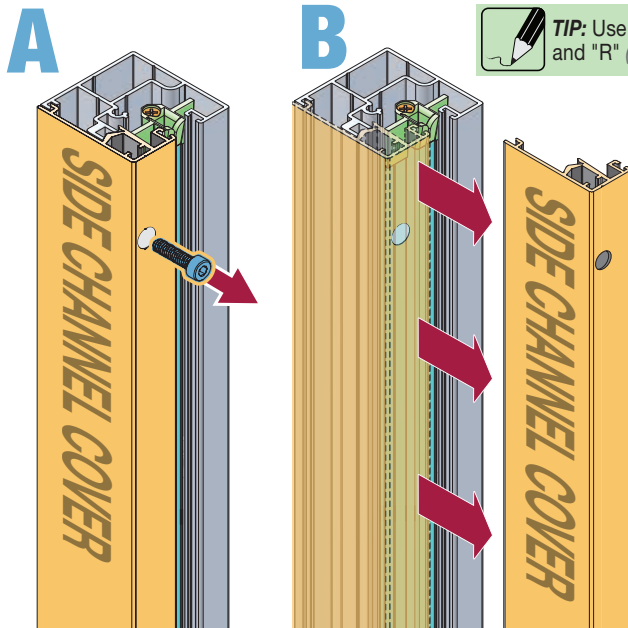
**NOTE:** Side Channels must be installed parallel and square with a tolerance of  $\frac{1}{8}$ ".  
Each side channel should be installed plumb with a tolerance of  $\frac{1}{16}$ " over height of opening.

**IMPORTANT:** DO NOT trim top of side channels.

**CAUTION:** Jamb mounted shade should not be recessed more than depth of side channels:  $1\frac{1}{2}$ ". Crank operator may interfere with jamb/adjacent wall. Alternatively, leave  $\frac{1}{2}$ " space between headbox and jamb.

**CAUTION:** Do not install Crank-Operated ZIP shades with crank operators next to each other - alternate operator locations or leave  $\frac{1}{2}$ " space between headboxes.

- 1.** **A.** Use a 3mm Hex Wrench to remove screws from Side Channels. **B.** Remove Side Channel Covers. Ensure that covers are matched back to same side channels.



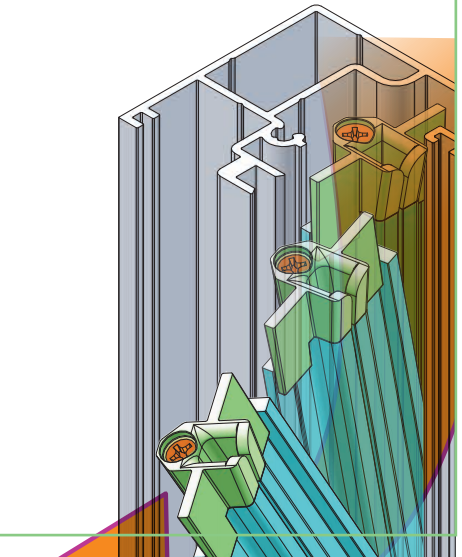
**TIP:** Use a pencil to scribe "L" (left) and "R" (right) on inside of covers.

**WARNING:**  
DO NOT remove the Bottom Caps from Side Channels unless trimming of side channels is required.

**WARNING:**  
If trimming is required, remove bottom cap and trim to required length. DO NOT alter position of inner plastic retainer. Ensure cut is straight & clean as parts will be visible after installation.

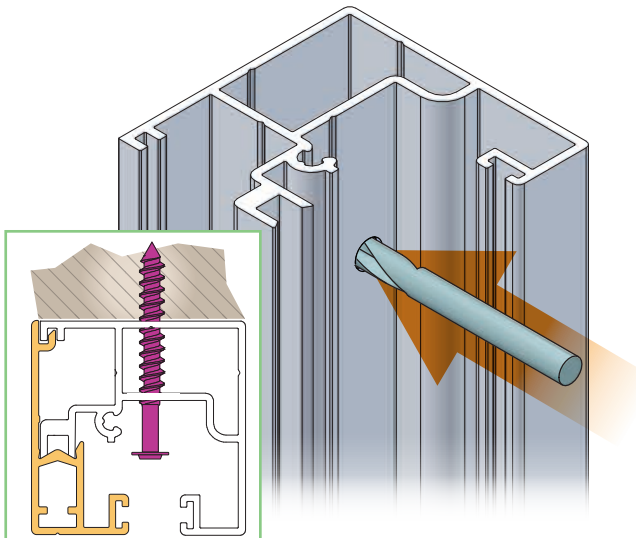
- 2.** Remove Fabric Retainer Strips from Side Channels.

**TIP:** Use a pencil to scribe "L" (left) and "R" (right) on Retainer Strips.



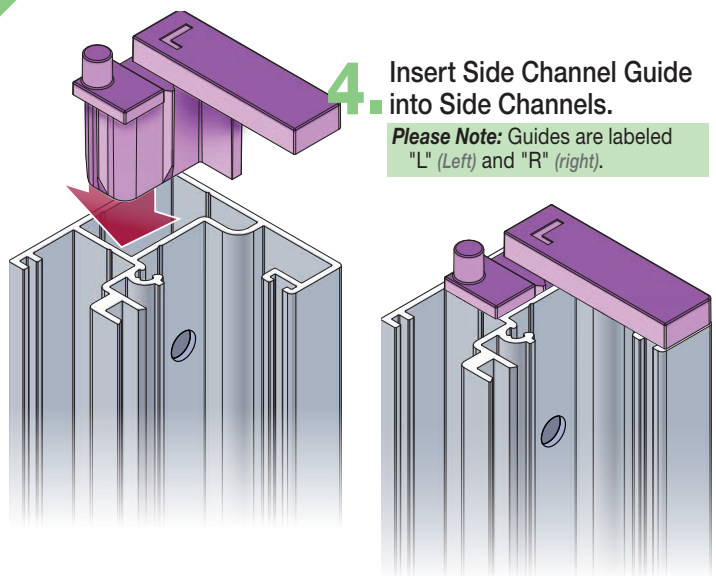
- 3.** Mark and drill Side Channels at desired mounting points.

**Please Note: REQUIRED** attachment of Side Channel to structure: **MINIMUM** of every 24" (61cm).



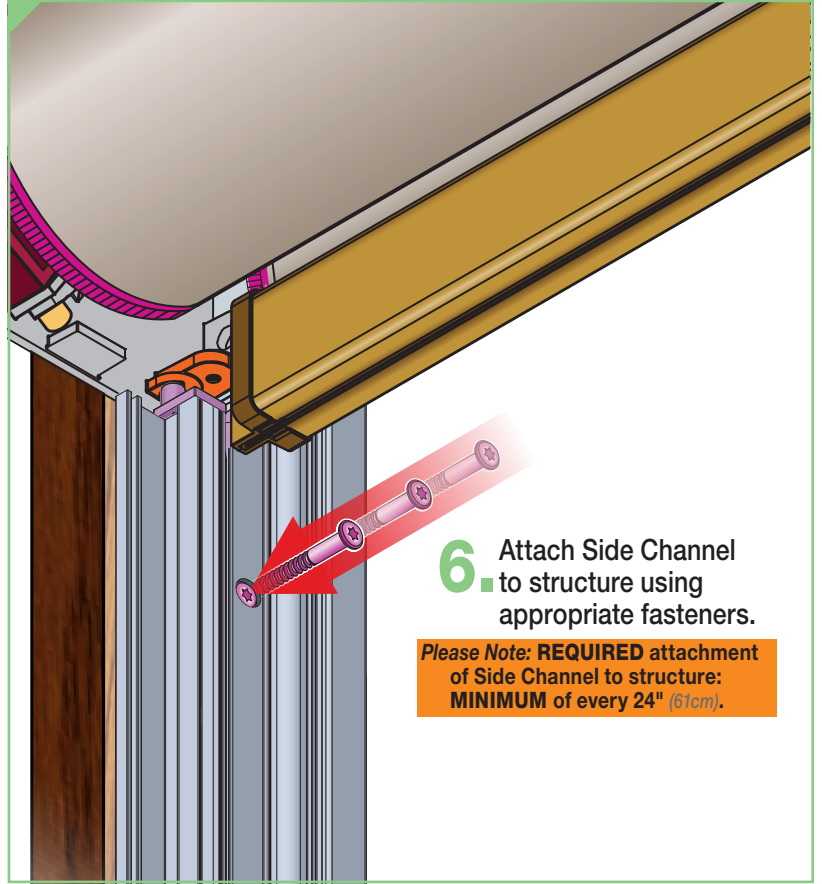
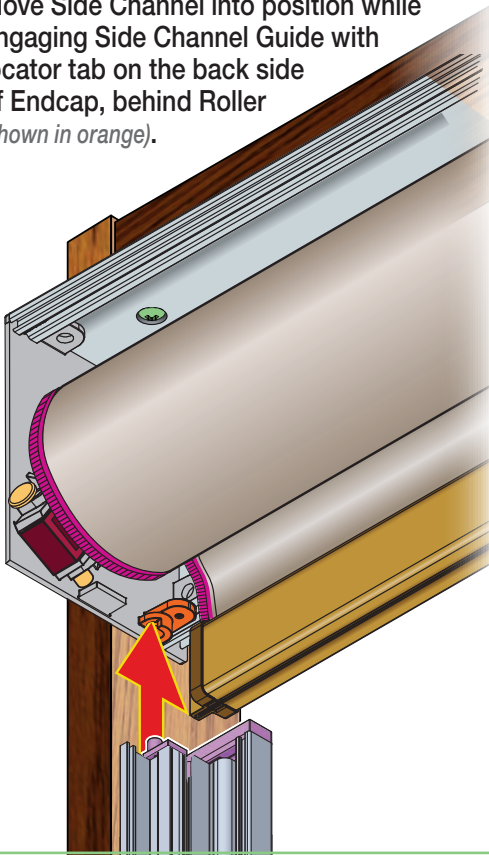
- 4.** Insert Side Channel Guide into Side Channels.

**Please Note:** Guides are labeled "L" (Left) and "R" (right).



## Section 8 (continued)

- 5.** Move Side Channel into position while engaging Side Channel Guide with locator tab on the back side of Endcap, behind Roller (shown in orange).



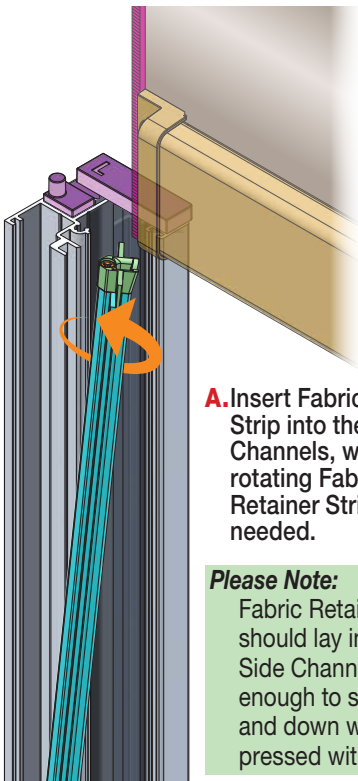
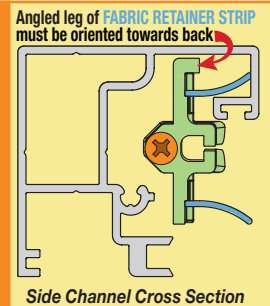
- 6.** Attach Side Channel to structure using appropriate fasteners.

**Please Note: REQUIRED** attachment of Side Channel to structure: **MINIMUM** of every 24" (61cm).

- 7.** Install Fabric Retainer Strip into Side Channel and insert Zipper.

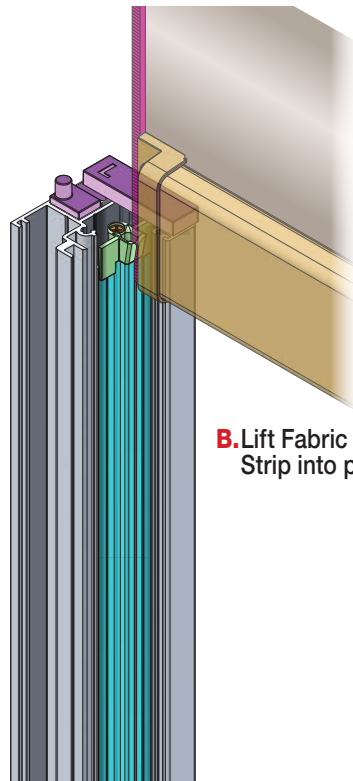
**Please Note:** Headbox and Shade Roller not shown for illustration purposes ONLY.

**IMPORTANT:** Ensure Fabric Retainer is installed correctly with angled leg oriented against back of side channel - do not mix left & right.

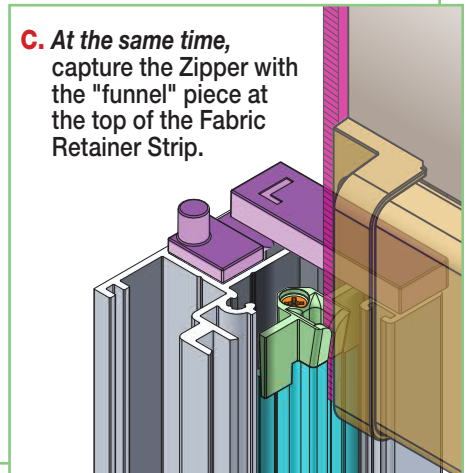


- A.** Insert Fabric Retainer Strip into the Side Channels, while rotating Fabric Retainer Strip as needed.

**Please Note:** Fabric Retainer Strip should lay inside Side Channel loosely enough to shift up and down when pressed with finger.



- B.** Lift Fabric Retainer Strip into place.



- C.** At the same time, capture the Zipper with the "funnel" piece at the top of the Fabric Retainer Strip.

## Section 9 - Mounting Headbox and Side Channels in Recessed Pockets

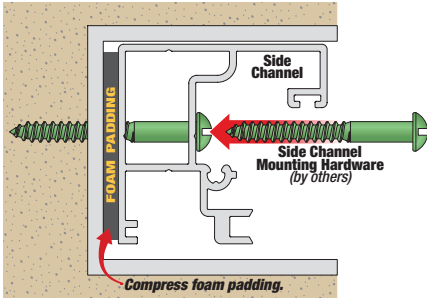
(Alternate Hardware & Installation Method)

**Please Note:** 2" U Channel Adaptor option **MUST** be ordered for the channel to be included with unit – it is not provided standard. Shade **MUST** be ordered narrower as well. See *Measuring Note*, below.

**Please Note:** Be sure to provide adequate clearance for removal of Roller Assembly during installation and maintenance. Minimum depth of ceiling pocket is 7¾ (197mm) or sufficient to conceal hem bar.

### Measuring Note for installing with ZIP 2" U Channel Adaptors

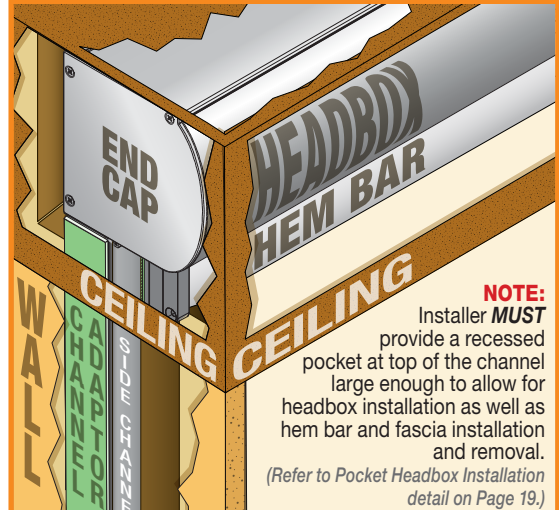
**Please Note:** The following applies **ONLY** if installing with a 2" U Channel.



- If measuring **BEFORE** a 2" U channel adaptor is installed, measure **INSIDE** of the recess or between jambs and deduct ½" from width measure as Inside Measurement (IM) entry.
- If measuring **AFTER** a 2" U channel adaptor is installed, measure **INSIDE** of U channel adaptors and deduct ¼" from width measure as Inside Measurement (IM) entry.

**IMPORTANT:** Use the narrowest measurement at the top/middle/bottom.

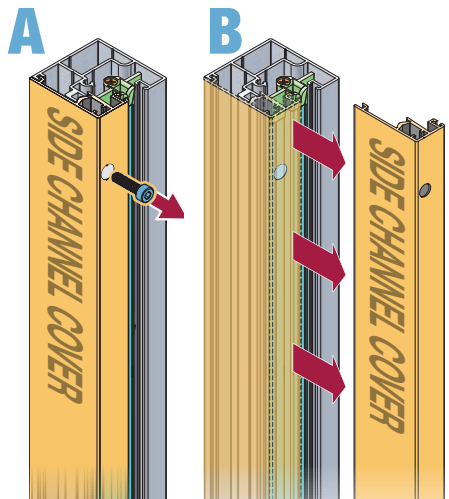
**IMPORTANT:** Sides of recessed pocket must extend 2" beyond the side channel depth to allow for headbox to be positioned above side channel recesses and then re-centered inside the recessed pocket.



1. Use a 3 mm Hex Wrench to remove Screws from Side Channels and Side Channel Covers.

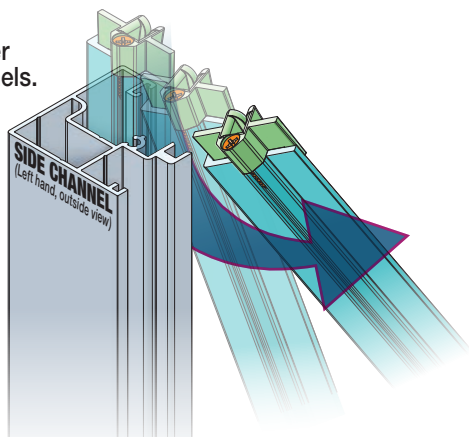
**Please Note:** Do NOT remove the Bottom Caps from Side Channels.

**Please Note:** Make note of left & right covers, to match up correctly when re-attaching.

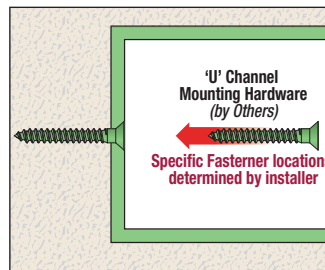


2. Remove Fabric Retainer Strips from Side Channels.

**Please Note:** Make note of left & right Fabric Retainer Strips, to match up correctly when re-attaching.



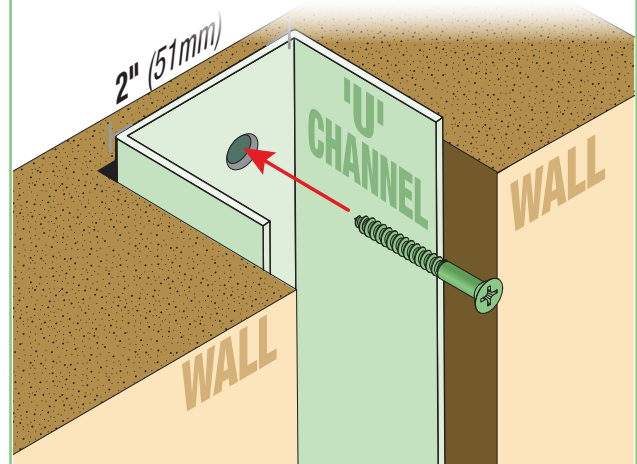
3. Insert 'U' Channel into recessed cavity in building structure. Drill mounting holes and secure, using appropriate hardware (by others).



**Please Note:** Installer is responsible for selecting mounting hardware appropriate for site conditions.

**Please Note:** Specific Fastener locations determined by installer. Max. spacing between fasteners: 24" (61cm)

**Please Note:** Use shims as necessary behind 2" U Channels to ensure channels are installed plumb, parallel, square and correctly spaced within ¼". This is important for proper Side Channel installation and positioning later.



**4.** Cut foam strips (provided) into 1.5" (38mm) squares and attach them to the 'U' Channel at all desired mounting points of the Side Channel.

**5.** Place modified Side Channel into 'U' Channel and secure it with appropriate mounting hardware, through the center of Foam Padding, through 'U' Channel, and then into mounting surface.

*Please Note: Install fasteners no more than 24" (610mm) apart.*

**6.** Re-install Fabric Retainer Strip into Side Channel and insert Zipper.

**A.** Insert Fabric Retainer Strip into the Side Channels, while rotating Fabric Retainer Strip as needed.

*Please Note: Fabric Retainer Strip should lay inside Side Channel loosely enough to shift up and down when pressed with finger.*

*Please Note: Headbox and Shade Roller not shown for illustration purposes ONLY.*

**B.** At the same time, capture the Zipper with the "funnel" piece at the top of the Fabric Retainer Strip.

**IMPORTANT:** Ensure Fabric Retainer is installed correctly with angled leg oriented against back of side channel - do not mix left & right.

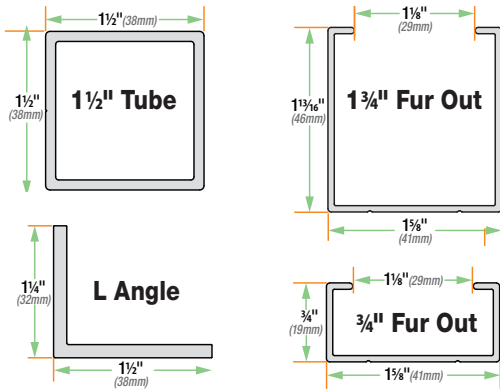
Angled leg of FABRIC RETAINER STRIP must be oriented towards back

Side Channel Cross Section

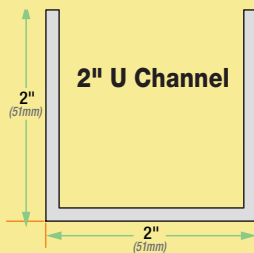
## Section 10 - Channel Adaptors (Optional Hardware)

**Use and configuration of Channel Adaptors is site dependent:** Each installation may require different adaptors or a combination of adaptors.

**IMPORTANT:** Installer is responsible for safely and securely attaching Channel Adaptors to prepare each opening for best installation of the product.

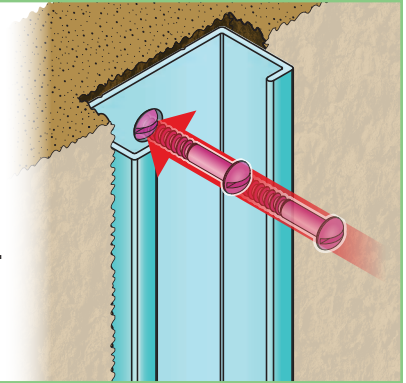


**IMPORTANT:** If installing side channels INSIDE a 2" U Channel Adaptor, please refer to *Measuring Note for Installing with ZIP 2" U Channel Adaptors* on Page 1.



- If opening is not suitable for direct mounting due to uneven surfaces, stonework, trim, or other irregular element, use Channel Adaptors to build in or fur out an opening for Side Channel or headbox attachment.

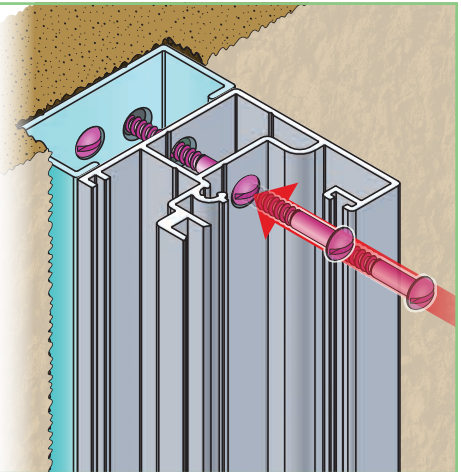
3/4" Fur Out channel adaptor shown.



- Channel Adaptors can provide a mounting surface for both the Side Channels and headbox.

- If necessary, installer can "stack" a sufficient number of Channel Adaptors to bring the opening flush from floor to ceiling.

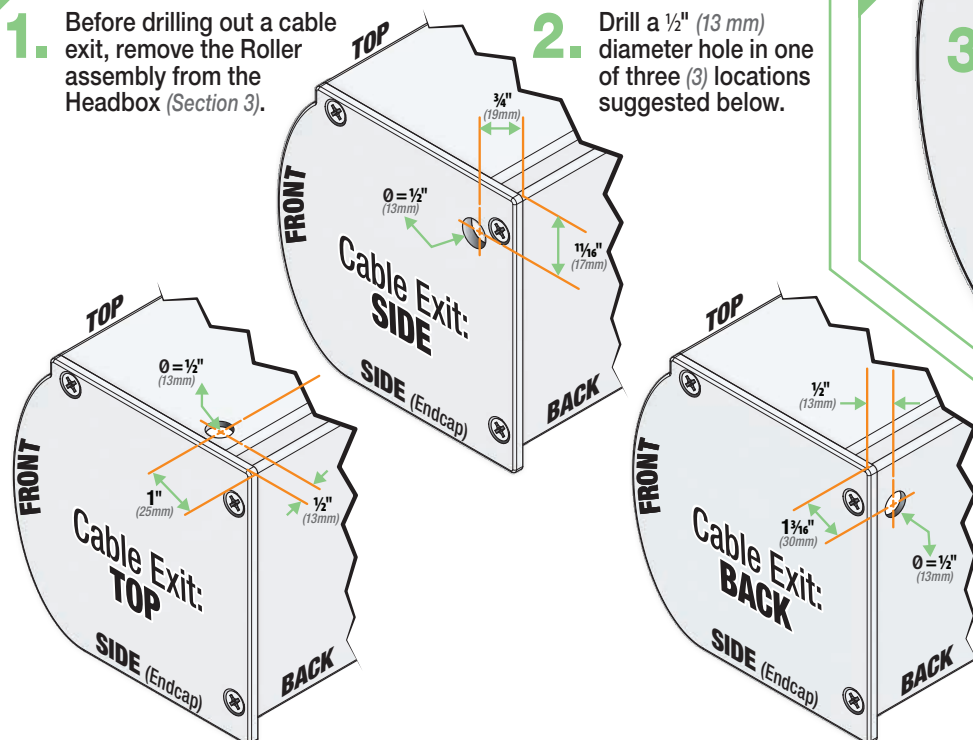
3/4" Fur Out channel adaptor shown.



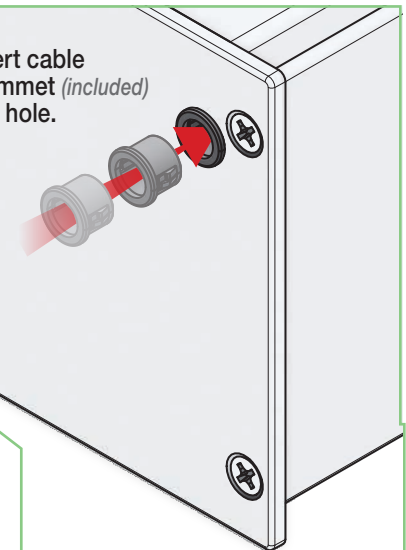
## Section 11 - Cable Exit

The FlexShade® ZIP can be ordered with a cable exit pre-drilled in the top or back of the Headbox. If no cable exit is provided, installer must drill a cable exit as required. Use supplied cable grommet to protect cable.

1. Before drilling out a cable exit, remove the Roller assembly from the Headbox (Section 3).
2. Drill a 1/2" (13 mm) diameter hole in one of three (3) locations suggested below.



3. Insert cable grommet (included) into hole.



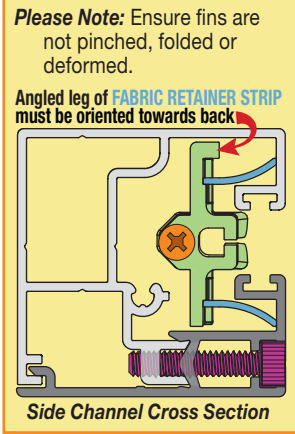
4. After drilling, reinstall Roller Assembly. (Section 3)

## Section 12 - Reinstalling Side Channel Covers


**1. Re-attach Side Channel Covers.**

**Please Note:** Ensure fins are not pinched, folded or deformed.

Angled leg of **FABRIC RETAINER STRIP** must be oriented towards back



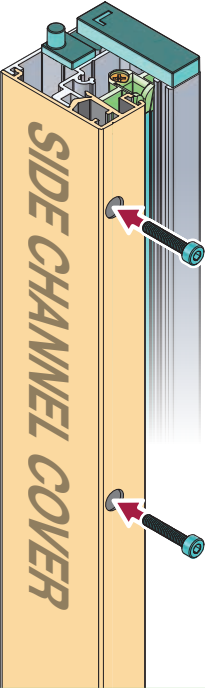
Side Channel Cross Section



**2. Replace the provided screws.**

**Please Note:** Failure to use provided fasteners to re-attach Side Channel covers may result in product failure in high wind.

**CAUTION:** *DO NOT* use power drill for this step due to risk of stripping screw threads. Screws should be hand-tightened to appropriate tightness using manual tool.

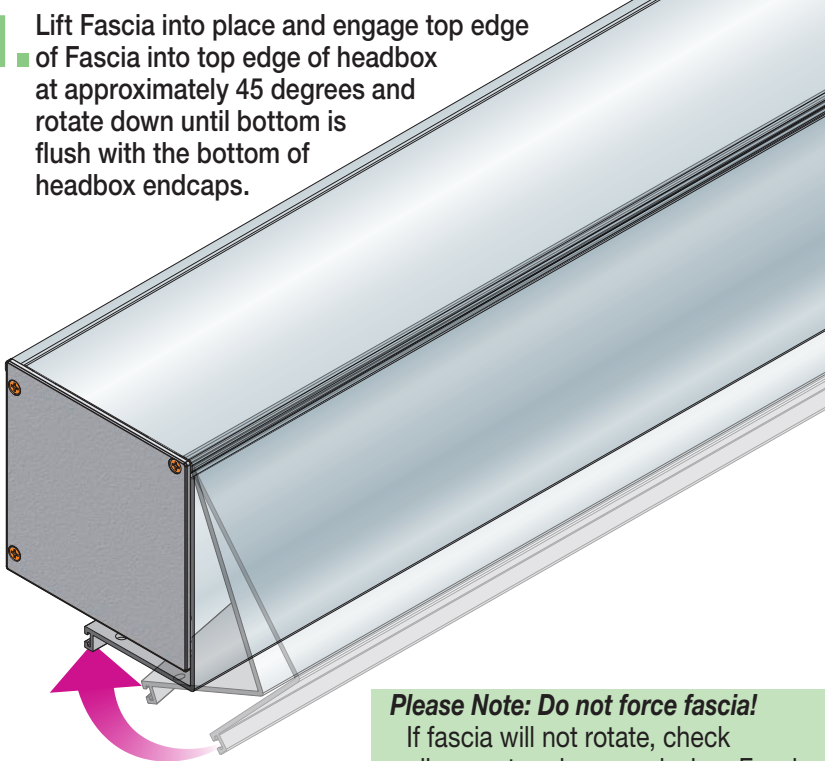


## Section 13 - Replacing Fascia (If applicable) (Side channels not shown.)

**Please Note:** Fascia and Roller Assembly only require removal if shade is directly mounted to mounting surface. Removing fascia is **OPTIONAL** for all other methods of installation.

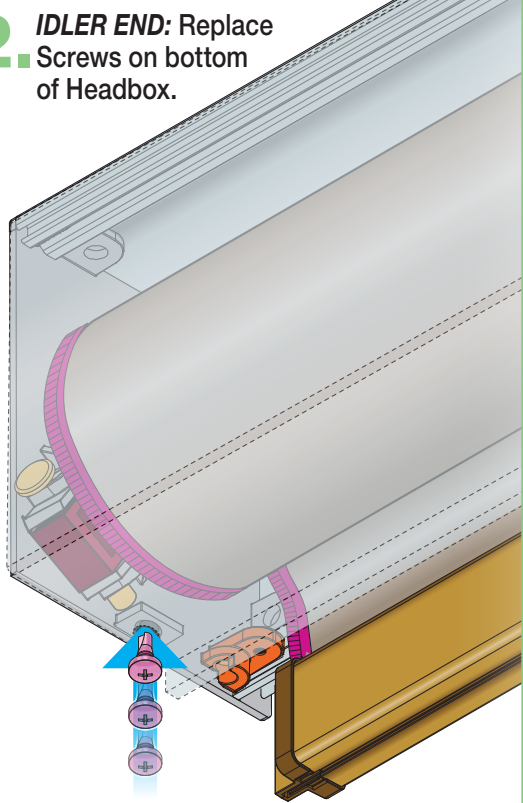
**Please Note:** **Section 9** (Reinstalling Side Channel Covers) must be completed **before** replacing the Fascia.

**1. Lift Fascia into place and engage top edge of Fascia into top edge of headbox at approximately 45 degrees and rotate down until bottom is flush with the bottom of headbox endcaps.**



**Please Note: Do not force fascia!** If fascia will not rotate, check alignment and proceed when Fascia hinges smoothly into position.

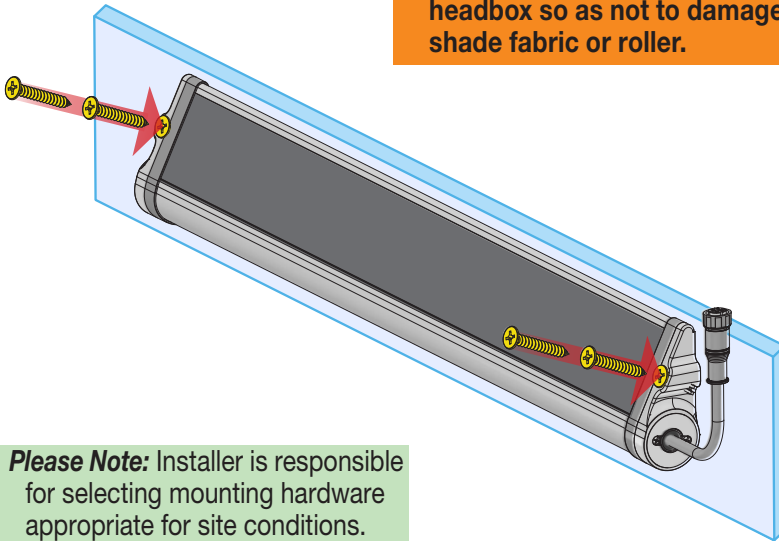
**2. IDLER END:** Replace Screws on bottom of Headbox.



## Section 14 - Installing Solar Panel

- 1.** Mount solar panel assembly onto structure using two (2) screws. (max diam. 3/16" [4.5mm])

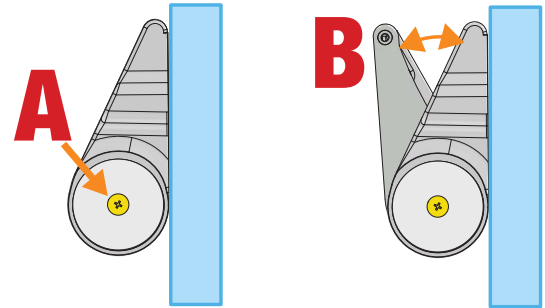
**IMPORTANT:**  
It is not recommended to attach solar panel to the headbox so as not to damage shade fabric or roller.



**Please Note:** Installer is responsible for selecting mounting hardware appropriate for site conditions.

- 2.** Rotate solar panel "wing" at the best angle to capture solar energy.

- A.** Release the side screw to free the panel to rotate.  
**B.** Turn the panel to the desired angle and re-tighten the side screw.



**Please Note:** Optimum angle should equal site latitude, and can be found at [gps-coordinates.org](http://gps-coordinates.org).  
**IMPORTANT:** Do not go over 45° rotation.

- 3.** Connect motor cable to solar panel assembly.

**Please Note:** A 10' extension cable is available.

**Please Note:** When the connections are made, the motor is live and ready for use.

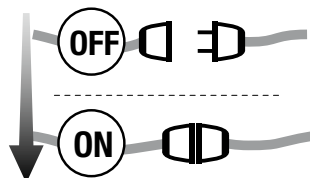
**IMPORTANT:** IF THERE IS MORE THAN ONE MOTOR TO INSTALL, CONNECT ONE MOTOR AT A TIME KEEPING ALL THE OTHERS DISCONNECTED.



## Section 15 - Programming the Transmitter

**CAUTION:** If more motors with receiver have to be installed, it is important to power up only one motor at time during the first programming session, in order to avoid any interferences with others.

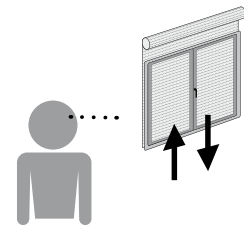
- 1.** Connect motor cable to solar panel assembly.



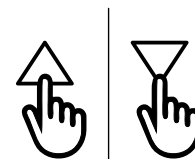
- 2.** Press and hold the PROG-TX button until the motor starts moving.



- 3.** Check the rotation of the motor, then release PROG-TX (the motor stops).

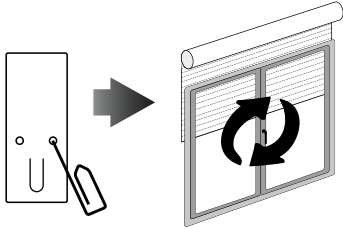


- 4.** Within 5 seconds press the corresponding button (i.e. UP if the motor rotates upwards or DOWN if vice versa). The transmitter has been programmed and the rotation of the motor has been synchronized.



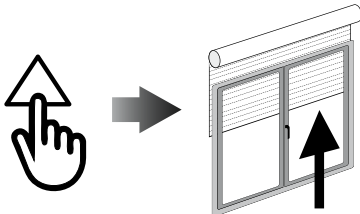
## Section 16 - Limit Switch Setup (Only for motors with electronic limit switch)

**NOTE: ALWAYS SET THE UP LIMIT FIRST.**

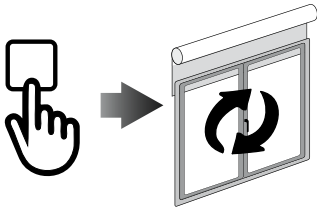


1. Push the PROG-FC button until the motor makes a brief jog.

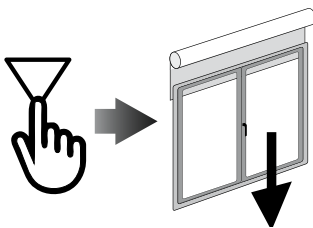
**Please Note:** During "programming mode" the operations are in "momentary control."



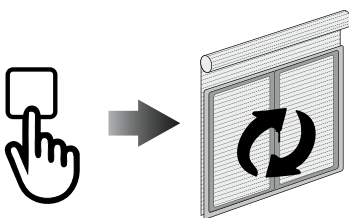
2. Press and hold the UP button and run the motor to the desired UP limit position.



3. Press STOP to set the UP limit position. The motor makes a brief jog.



4. Press and hold the DOWN button and run the motor to the desired DOWN limit position.



5. Press STOP to set the DOWN limit position. The motor makes a brief jog.

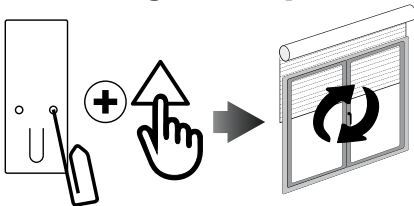
**Please Note:** Precise limit setting can be performed while moving upward or downward: Press the PROG-FC button a second time, and the motor then moves slowly, in steps. Then press the STOP button to set the limit position.

## Section 17 - Setting Limits Individually

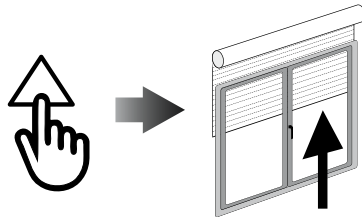
**Please Note:** If the limits need to be changed after the initial limit setting procedure, it is possible to change the limit positions individually. One limit can be set without the other limit needing to be set. The motor can be in any position to initiate the procedure.

**NOTE:** During "limit setting mode" the operations are in "momentary control."  
(The UP and DOWN buttons must be held DOWN in order to move the motor.)

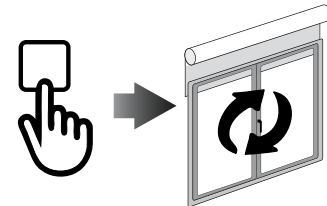
### To Change the Up Limit:



1. From any point between the existing limits, press and hold both the PROG-FC button and the UP button until the motor makes a brief jog.

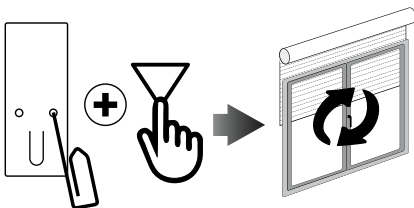


2. Press and hold the UP button until the desired new UP limit is reached.

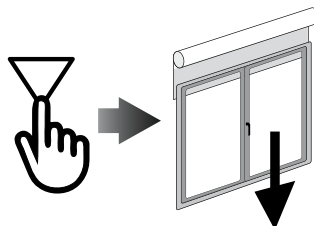


3. Press the STOP button to set the limit. The motor makes a brief jog to confirm. The new UP limit is set.

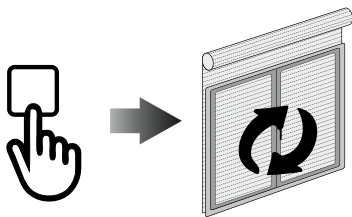
### To Change the Down Limit:



1. From any point between the existing limits, press and hold both the PROG-FC button and the DOWN button until the motor makes a brief jog.

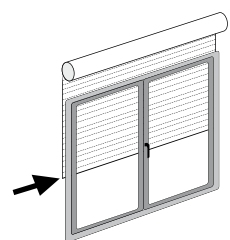


2. Press and hold the DOWN button until the desired new DOWN limit is reached.

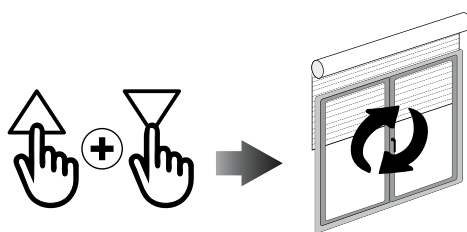


3. Press the STOP button to set the limit. The motor makes a brief jog to confirm. The new DOWN limit is set.

### Intermediate Position



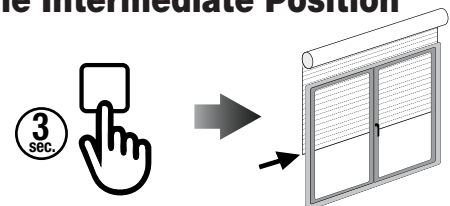
1. Stop the shade in the desired intermediate position.



2. Simultaneously press the UP and DOWN buttons until the motor makes a brief movement in both directions. The intermediate position has been setup.

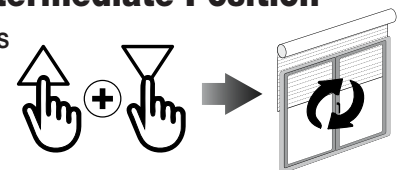
### Recalling the Intermediate Position

Keep the STOP button pressed for at least 3 seconds.



### Erasing the Intermediate Position

Simultaneously press the UP and DOWN buttons until the motor makes a brief movement in both directions.



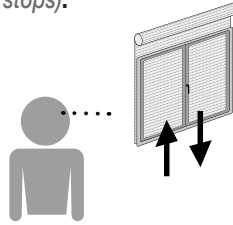
## Section 18 - Advanced Programming

### Adding Transmitter

1. Press and Hold the PROG-TX button of a transmitter already paired until the motor starts moving.

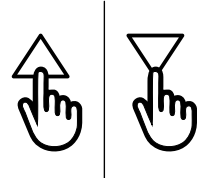


2. Check the rotation of the motor, then release the PROG-TX button (the motor stops).



3. Within 5 seconds press the corresponding button (i.e. UP if the motor rotates upwards or DOWN if vice versa) on the new transmitter being added.

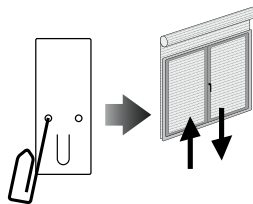
The new transmitter has been programmed and the rotation of the motor has been synchronized.



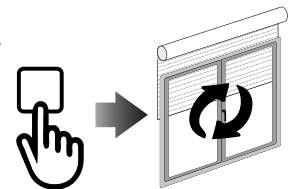
### Checking/Changing Direction

**IMPORTANT:** Change direction must be performed before starting limit setting otherwise limits must be reset. Press UP or DOWN: The motor should go UP or DOWN, otherwise to change direction:

1. Press and hold the PROG-TX button until the motor starts moving

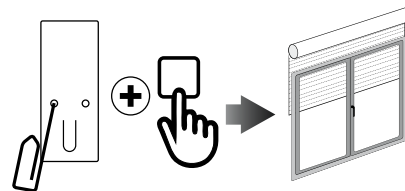


2. Press STOP: The motor makes a brief jog. Direction of the motor has been reversed.



### Erasing Transmitter

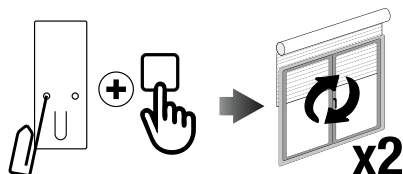
Simultaneously push the PROG-TX button and STOP of the transmitter until the motor makes a brief movement in both directions. Only the transmitter used for this procedure has been deleted from motor memory.



### Reset Motor Memory

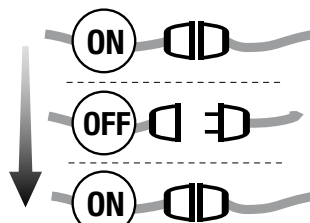
#### OPTION 1 - Using an already programmed transmitter:

Press and hold both PROG-TX and STOP buttons until motor makes first a brief jog and, after a while, a second, long jog. Memory is now empty.

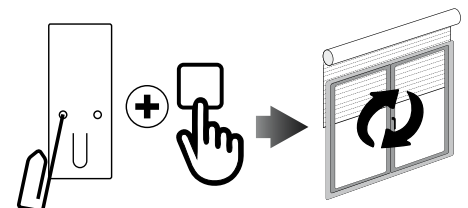


#### OPTION 2 - Without an already programmed transmitter:

1. Switch the motor power supply OFF. Then switch it ON.

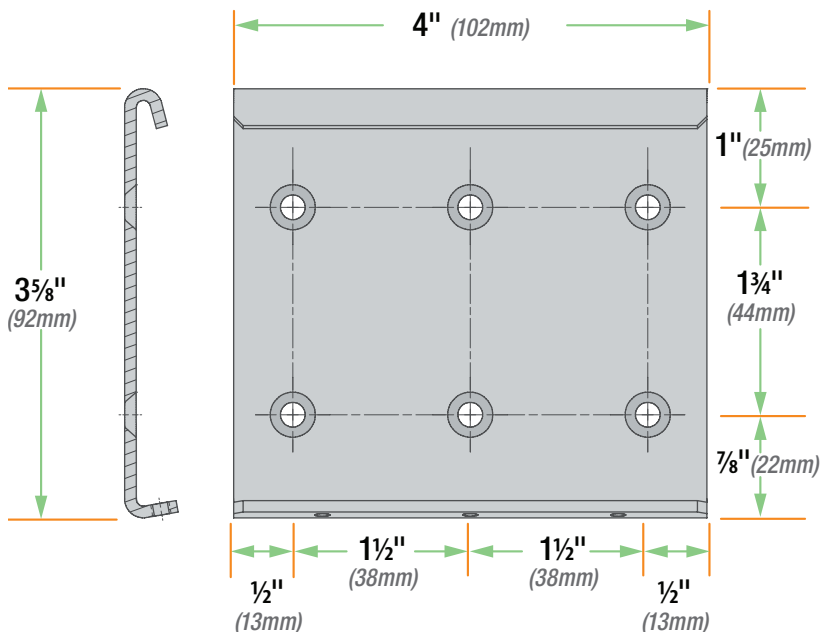


2. Within 8 seconds, using any Gaposa transmitter, press and hold both the PROG-TX and STOP buttons until the motor makes a long jog. Memory is now empty.



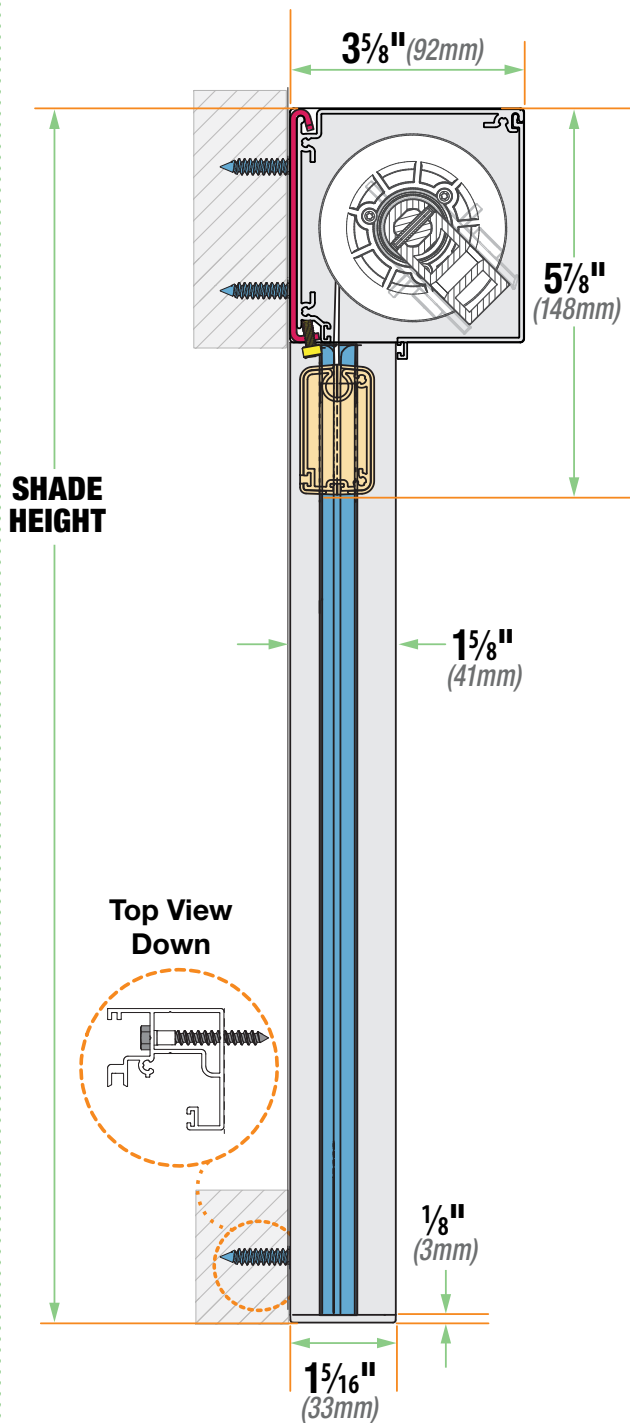
## Section 19 - Dimensions

### Wall Mounting Bracket

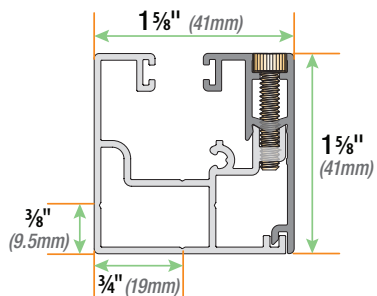


### Side View

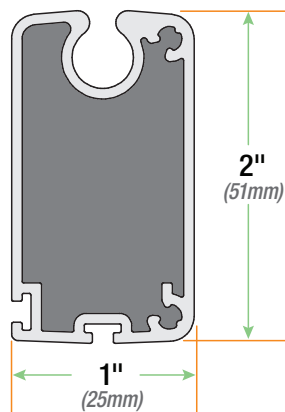
#### Wall Mounted Headbox with Wall Mounted Side Channels



### Side Channel

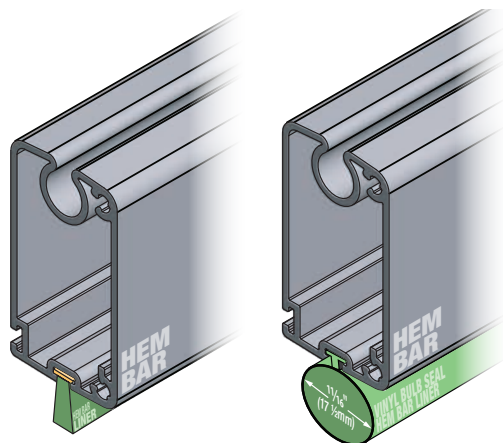


### Hem Bar



### Hem Bar Liner (Optional)

**Please Note:**  
Liner is factory installed (if ordered).



## Section 20 - Overall Dimensions

