

FlexShade® ST30 DC

24 Volt motor with a small installation footprint

SUBMITTAL TECHNICAL INFO

FLEXSHADE 24V

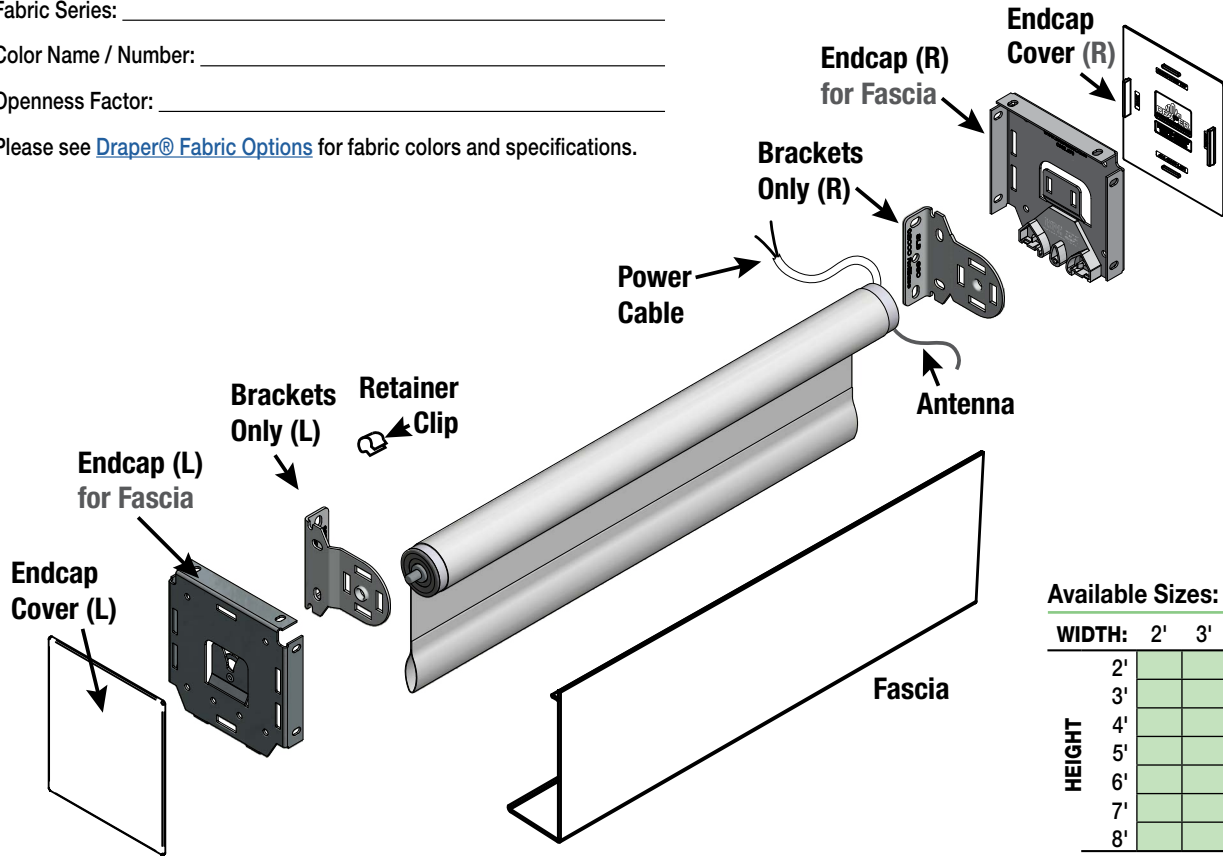
Please check all appropriate selections and attach room schedule with verified dimensions.

Fabric Series: _____

Color Name / Number: _____

Openness Factor: _____

Please see [Draper® Fabric Options](#) for fabric colors and specifications.



Available Sizes:

WIDTH:	2'	3'	4'	5'	6'	7'	8'
HEIGHT							
2'							
3'							
4'							
5'							
6'							
7'							
8'							

24V DC Motor available on shades through 8' x 8' (2.4 x 2.4 m).

Select Motor Location

(As seen from INSIDE the room facing the window. Also indicate on room schedule.)

- Right Side (Standard)
- Left Side

Select 24V Motor

- ST30 24V RTS Motor
- ST30 24V Dry Contact Motor
- ST30 24V RS485 Motor

Select Transformers

- 1 Motor Plug-In Wall Type
- 5 Motor Power Panel
- 10 Motor Power Panel
- SDN 10 Motor Power Panel (required for RS485 motor option)
- 15 Motor Power Panel
- 20 Motor Power Panel

Select Fabric Orientation

- Regular Roll (from back of roller)
- Reverse Roll (from front of roller)

Select Fabric Attachment

- Standard
- Optional Spine Attachment

Select Slat Style

- Closed Pocket - 1" (25mm) Elliptical (Standard)
- Open Pocket - 1" (25mm) Elliptical
- Small Flat Exposed Hem Bar
- Large Flat Exposed Hem Bar
- Round Exposed Hem Bar
- 1 3/8" (30mm) Tube
- 3/8" (16mm) Tube
- None

Select Single Roller Hardware

- Brackets Only
 - Wall
 - Ceiling
- Endcaps Only
- Endcaps w/Fascia
- Surface Headbox (Fascia and Top/Back Cover)
- Headbox
 - Pocket Style Headbox
 - Type "D" Pocket w/Tile Lip (White; not available w/ 3" [76 mm] roller)
 - Custom Headbox
- Wall Clip
 - With Ceiling Tile Lip
 - Without Ceiling Tile Lip
- Closure Panel for Wall Clip, Type "D" Pocket or Custom Headbox
 - 1 1/2" (38mm)
 - 3" (76mm)
 - 5" (127mm) (for Wall Clip and Custom Headbox only)
- Light Gap Reduction Hardware
 - "L" Angle
 - "U" Channel
 - "H" Channel
 - Channel Liners

Select Hardware Finish

(does not apply to Type "D" Pocket)

- Clear Anodized (standard)
- Black White
- Ivory Bronze
- Custom (Contact Draper)



Draper, Inc. | 411 S. Pearl St. Spiceland, IN 47385
draperinc.com | 765.987.7999 | 800.238.7999

© 2023 All Rights Reserved | FORM: FS_MO_ST30_24V_Sub23

PROJECT: _____

ARCHITECT: _____

CONTRACTOR: _____

SUPPLIER: _____

DATE: _____ REVISED: _____

Specifications

EQUIPMENT

SONESSE 30 RTS 24V DC:

Drive unit inside roller, instantly reversible, lifetime lubricated. Right-hand motor location standard; left-hand available. Built-in radio receiver. Limit switches adjustable using wall switch or remote control. Regulated power supply required. Sound level ≤ 42 dBA.

SONESSE 30 DRY CONTACT 24V DC:

Drive unit inside roller, instantly reversible, lifetime lubricated. Right-hand motor location standard; left-hand available. Limit switches adjustable using Limit Setting Tool or dry contact closure. Regulated power supply required. Sound level ≤ 47 dBA.

SONESSE 30 RS485 24V DC:

Drive unit inside roller, instantly reversible, lifetime lubricated. Right-hand motor location standard; left-hand available. Limit switches adjustable using Limit Setting Tool or dry contact closure. Regulated power supply required. Sound level ≤ 47 dBA.

HARDWARE

ROLLERS: 1½" (38mm) extruded aluminum or steel. Roller assembly easily removable.

OPTIONAL FABRIC ATTACHMENT: Fabric attached to roller tube with spline fabric attachment method. Allows for removal of fabric panel without removal of roller assembly.

MOUNTING BRACKETS: 1018 plated steel stamping. 2 SIZES: 1¾" (41mm) and 2¼" (57mm). Styles for mounting to wall, ceiling, or jamb. Brackets do not require additional adapters.

ROLLER IDLER ASSEMBLY: Type ½" injected molded nylon and a zinc-plated cold rolled steel pin. Sliding pin for easy installation and removal of the roller.

ENDCAPS: 1018 steel stamping. 2 sizes: 3½" x 3¾" (89x95mm) and 4½" x 4½" (114x114mm). Complete with adapter roller bracket. Installs to face, ceiling, or jamb. Accepts box covers and fabric guide.

ENDCAP COVERS: Plastic covers snap onto endcaps. Available in silver, ivory, bronze, black, or white to match fascia.

HEM BAR: Powder coated in black, bronze, ivory, white, or clear anodized.

OPEN POCKET ELLIPTICAL SLAT: 1 inch (25mm) aluminum elliptical slat with plastic ends inside of a 1¾ inch (41mm) pocket.

FLAT EXPOSED HEM BAR: Small: ¾ inch x ¾ inch (22mm x 8mm) aluminum rectangular hem bar with plastic end caps.

LARGE EXPOSED HEM BAR: 1½ inch x ¾ inch (38mm x 8mm) aluminum rectangular hem bar with plastic end caps.

ROUND EXPOSED HEM BAR: Small ¾ inch (16mm) and Large 1¼ inch (21mm) aluminum with plastic end caps.

FASCIA: "L" cover of extruded aluminum, .060 (1.5mm) wall. Fascia snaps onto endcaps. Clear Anodized (standard), black, white, ivory, or bronze powder coat finish available. Continuous fascia available with coupled units.

SURFACE HEADBOX: Consists of fascia, "L" shaped back/top cover. Endcaps slide into extrusion without exposed fasteners.

POCKET HEADBOX: Optional, for pocket installation, includes a "U" shaped back/top/front cover with removable bottom closure panel. **SMALL SIZE:** 3½" x 3¾" (100x87mm). **LARGE SIZE:** 4½" x 4½" (119x119mm). Some exposed fasteners required.

TYPE "D" POCKET: Type "D" Shade Pocket, to be extruded aluminum for perimeter installation. Accepts FlexShades installed with ceiling brackets. Finished in white paint. 5" x 5¾" x .125" (127x136x3mm) with ¾" (22mm) tile support lip & removable bottom closure.

LIGHT GAP REDUCTION HARDWARE: Extruded aluminum. Accepts edges of fabric, prevents light gaps. Interior of channel provides for use of flat head screws.

"L" ANGLE: ¾" x 1" x 12' 3" (1.9x2.5x373cm);

1" x 2¾" x 16' (2.5x7x488cm) or cut to length.

"U" CHANNEL: 1" x 2½" x 16' (2.5x76x488cm) or cut to length.

"H" CHANNEL: 1" x 5" x 16' (2.5x12.7x488cm) or cut to length.

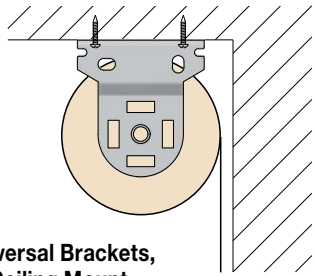
DOWNLOADABLE 3-PART SPECIFICATIONS:

Available at www.drapering.com.

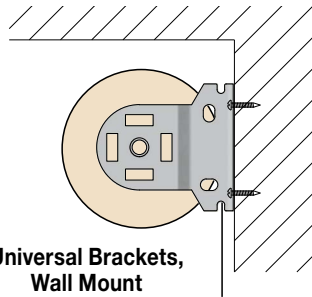
Please note: Dimensions of rollers, operators, and hardware at manufacturer's discretion.

Mounting Hardware Selections

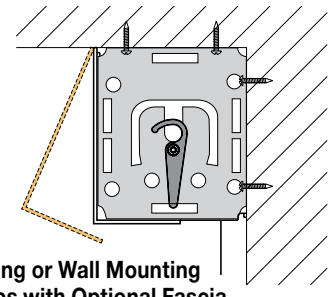
Please Note: Endcaps have the only attachment points for mounting a manual FlexShade. Optional fascia and headbox have a thickness of ⅛" (1.6mm).



Universal Brackets, Ceiling Mount



Universal Brackets, Wall Mount



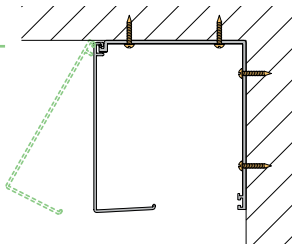
Ceiling or Wall Mounting Endcaps with Optional Fascia

Headbox Installation Options

Surface Headbox

Consists of:

- Fascia
- Back/Top Cover
- Ceiling/Wall Endcaps



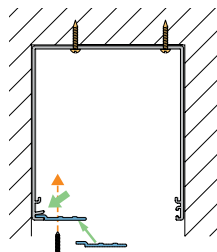
Pocket Style Headbox

Consists of:

- Extruded Pocket
- Bottom Closure Panel
- Ceiling/Wall Endcaps

SMALL SIZE: 3½" x 3¾" (87mm x 100mm)

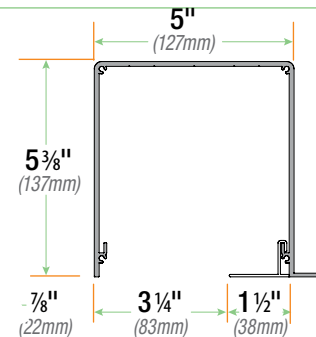
LARGE SIZE: 4½" x 4½" (119mm x 119mm)



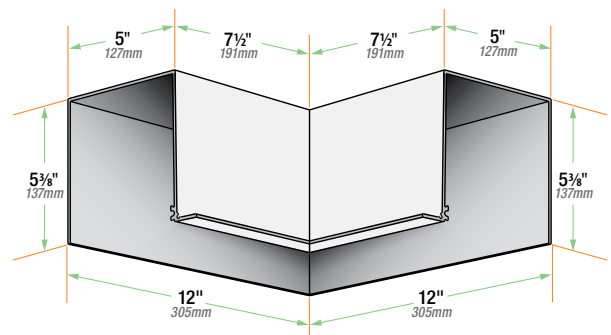
Type D Pocket

Consists of:

- Extruded aluminum pocket
- A lip supports lay-in ceiling
- Pre-welded corners and ends available
- Ends with or without tile support lip

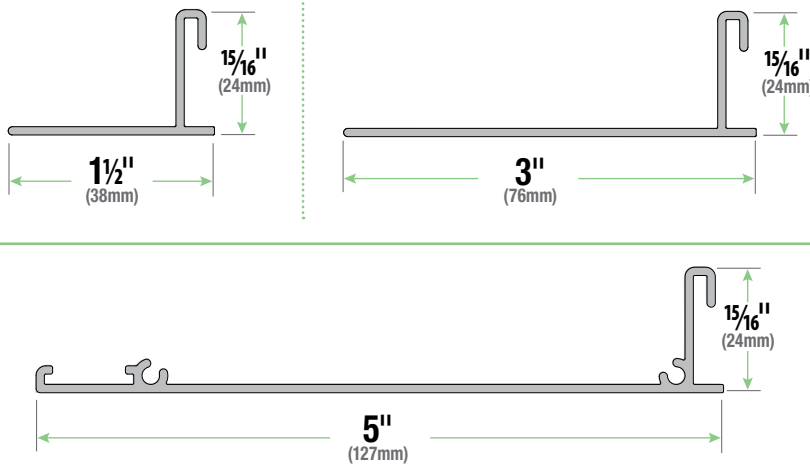


Typical pre-welded corner section (not to scale)

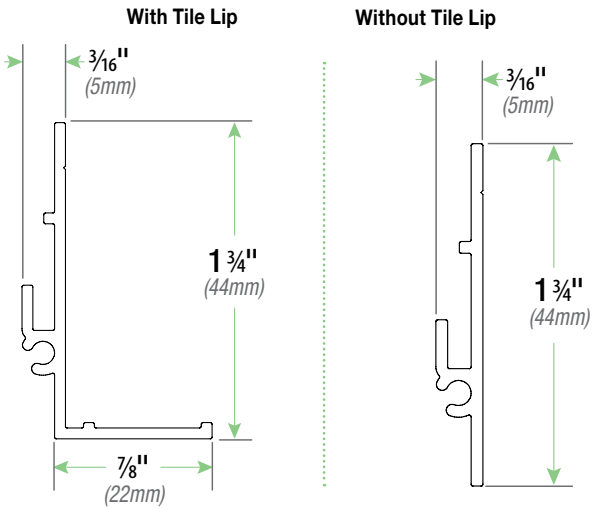


Wall Clip and Closure Options

Closure Options

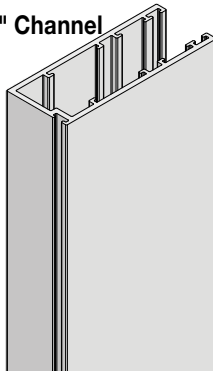


Wall Clip Options

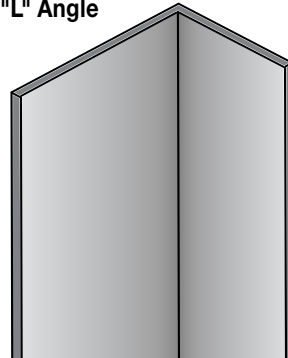


Light Gap Reduction Hardware

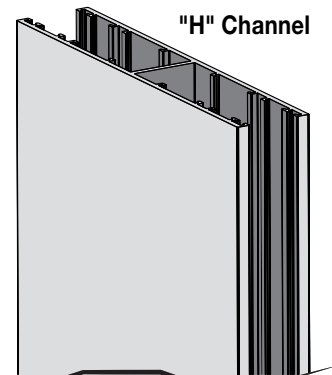
"U" Channel



"L" Angle



"H" Channel

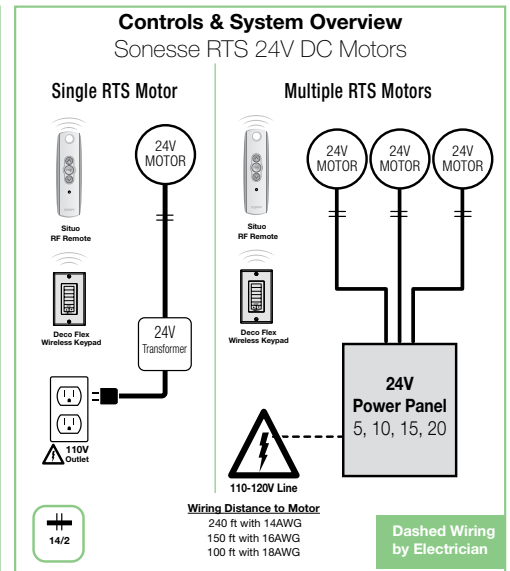
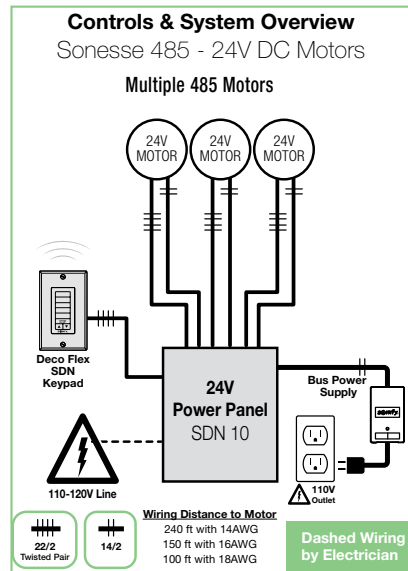
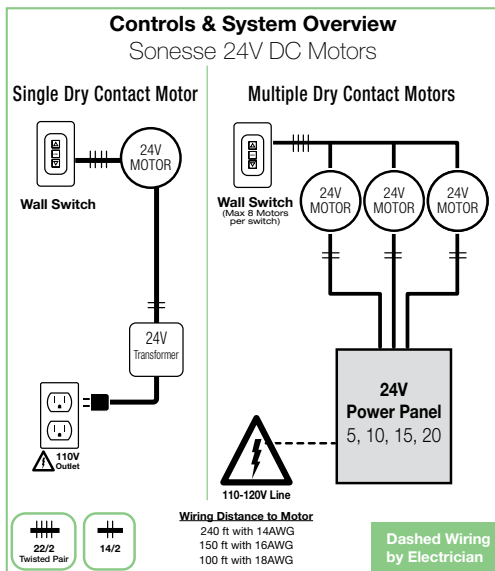


Wiring Diagrams

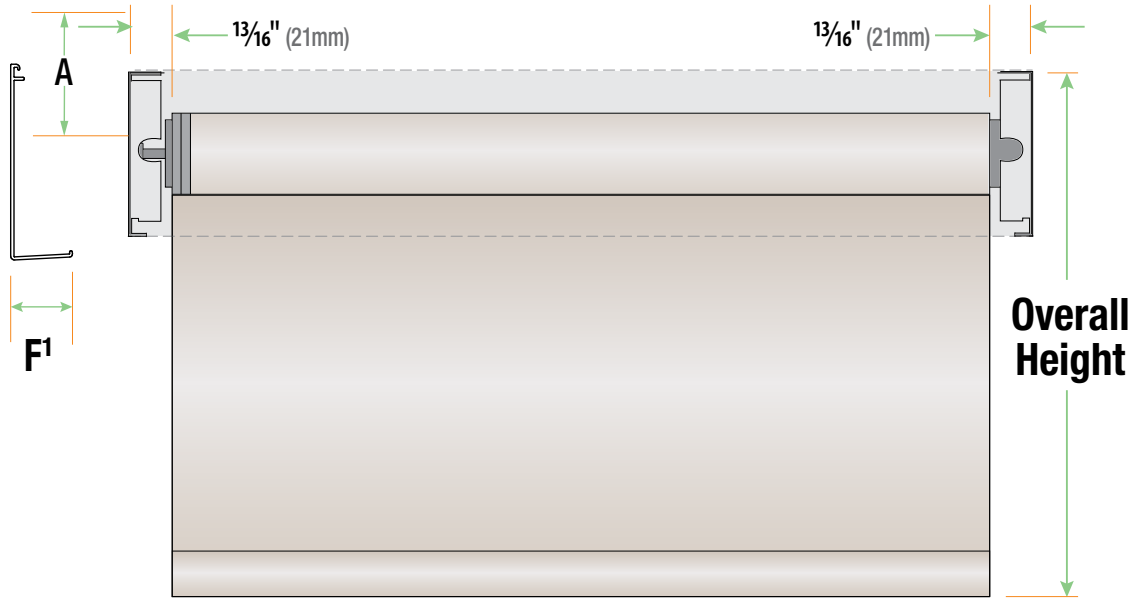
Data Cable Pin-Out - RJ45 Connector

1 - ORANGE/WHITE
2 - ORANGE
3 - GREEN/WHITE
4 - BLUE
5 - BLUE/WHITE
6 - GREEN
7 - BROWN/WHITE
8 - BROWN

WARNING: DO NOT use Pass-Through Connectors!



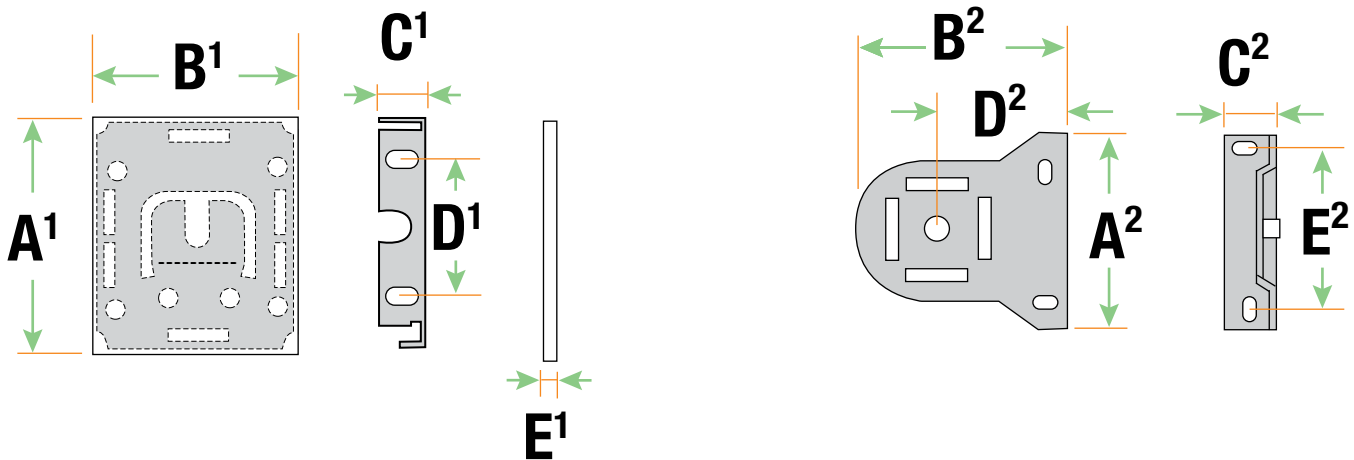
Dimensions



Cloth width with brackets = Overall width - 1 3/8" (35mm)
 Cloth width with end caps = Overall width - 1 5/8" (41mm)

Please Note:

- Shade Overall Width includes plastic endcap covers.
- Pair of small endcap covers adds 1/8" (3.2mm) to Overall Width.
- Pair of large endcap covers adds 3/16" (4.8mm) to Overall Width.



HEADBOX WITH ENDCAPS				
	SMALL		LARGE	
A'	3 15/16"	100mm	4 11/16"	119mm
B'	3 7/16"	87mm	4 11/16"	119mm
C'	5/8"	16mm	5/8"	16mm
D'	2"	51mm	3 1/4"	83mm
E'	1/16"	1.6mm	3/32"	2.4mm
F'	1 3/16"	30mm	1 9/16"	40mm

ENDCAPS WITH FASCIA				
	SMALL		LARGE	
A'	3 7/8"	98mm	4 5/8"	117mm
B'	3 3/8"	86mm	4 5/8"	117mm
C'	5/8"	16mm	5/8"	16mm
D'	2"	51mm	3 1/4"	83mm
E'	1/16"	1.6mm	3/32"	2.4mm
F'	1 3/16"	30mm	1 9/16"	40mm

BRACKETS				
	SMALL		LARGE	
A ²	2 3/16"	56mm	2 3/16"	56mm
B ²	2 3/8"	60mm	3"	76mm
C ²	1 1/16"	27mm	1 1/16"	27mm
D ²	1 5/8"	41mm	2 1/4"	57mm
E ²	1 1/4"	32mm	1 3/4"	44mm
F ²	NA	NA	NA	NA

Shade Overall Width includes plastic endcap covers.
 Pair of small endcap covers adds 1/8" (3.2mm) to Overall Width.
 Pair of large endcap covers adds 3/16" (4.8mm) to Overall Width.