

FlexShade® Battery Zigbee

Zigbee radio controlled rechargeable shade

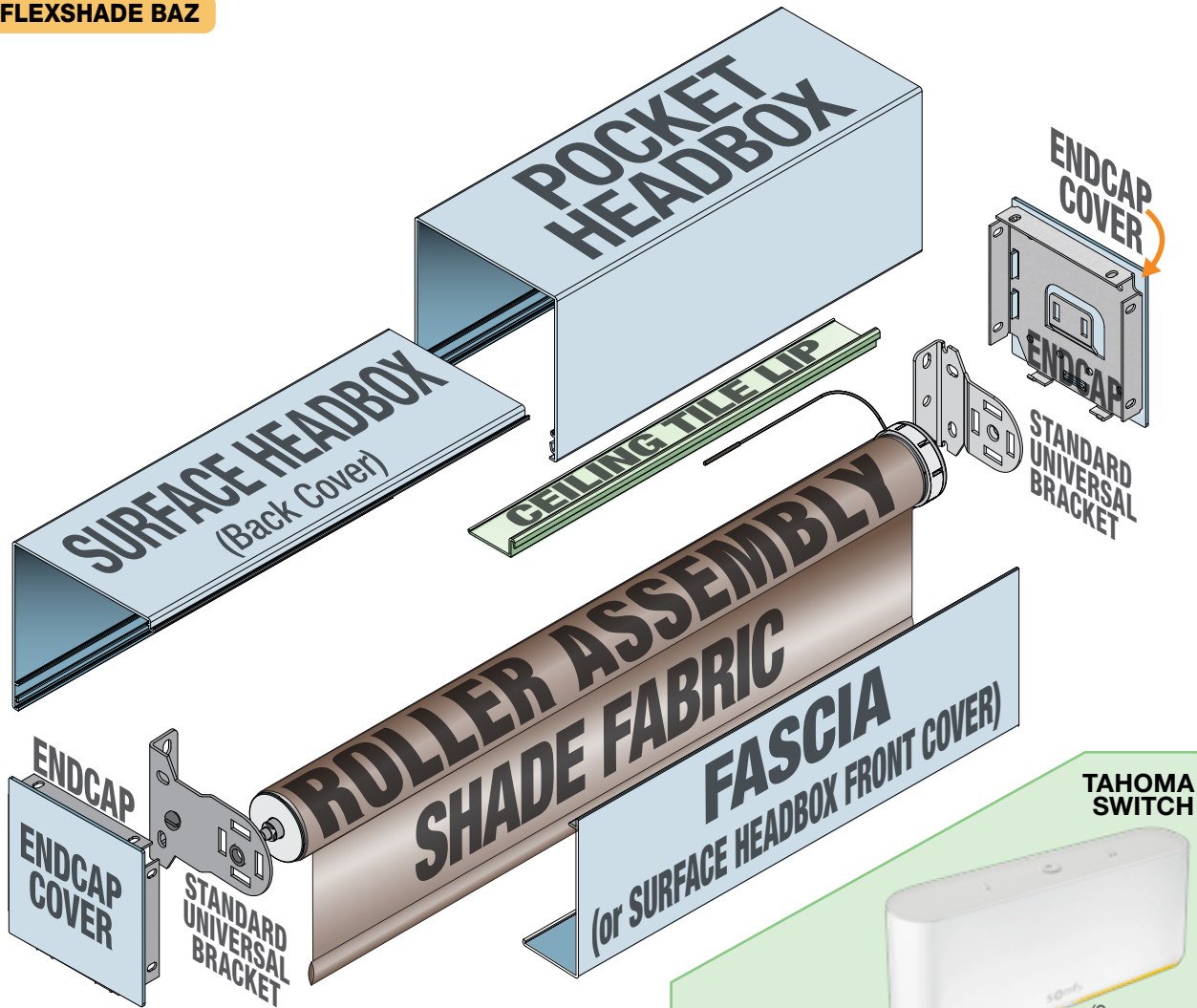


INSTRUCTIONS

INSTALLATION & OPERATION

Overview - Components

FLEXSHADE BAZ



- TOOLS REQUIRED**
- PENCIL
 - POWER DRILL
 - TAPE MEASURE
 - LEVEL
 - HARDWARE (by others)
 - PLIERS

TAHOMA SWITCH
(Serves as a "hub" for standard Zigbee installations.)

SMART PLUG
(Used with the Tahoma switch "hub" in standard Zigbee installations.)

YSIA REMOTE
(Used in conjunction with the Tahoma switch "hub" in standard Zigbee installations or in the "hubless" installation option.)

⚠ CAUTION ⚠

Read and understand all warnings before beginning installation. (Page 2 of this document)

Contents	
Overview - Components.....	1
PLEASE READ - Important Safety & Installation Information.....	2
PLEASE READ - Field Adjustments, Cleaning and Maintenance.....	2
Section 1 - Site Preparation.....	3
Section 2 - Retrofitting Battery-Powered Motor to Manual Shade Roller.....	3
Section 3 - Charging Battery.....	3
Section 4 - Bracket Installation Option.....	4
Section 5 - Endcap-Only Installation Option.....	5
Section 6 - Surface Headbox Installation Option.....	6
Section 7 - Fascia Installation (Optional).....	7
Section 8 - Pocket Headbox Installation (Optional).....	8
Section 9 - Programming Somfy Wire-Free Zigbee®.....	10
Section 10 - Bracket Dimensions.....	11
Section 11 - Overall Dimensions.....	12

If you have any difficulties installing or servicing your FlexShade Battery Zigbee, call your dealer or Draper, Inc.



Draper, Inc. | 411 S. Pearl St. Spiceland, IN 47385
 draperinc.com | 765.987.7999 | 800.238.7999
 © 2026 All Rights Reserved | FORM: FS_MO_BAZ_Inst26



PLEASE READ - Important Installation Information

⚠ Caution:

1. Inspect all boxes to make sure you have received the proper shades and parts. Controls may be shipped separately, or in same carton as shades.
2. Open cartons lengthwise.
3. Before mounting shades, verify measurements on label provided with shade, and ensure unit is installed at correct width.
4. Before connecting switches, controls, or electrical, ensure that power is turned **OFF**. Wiring indicated in diagram by dashed lines must be completed by an electrician.
5. Do not wire motors in parallel without written permission from Draper.
6. All endcaps, fascia, pocket headbox, and other hardware must be installed level. Shades must be level and square.
7. **Read the following installation guidelines thoroughly and follow them carefully. Failure to do so may cause product to fall or otherwise fail, and invalidates warranty.**
8. **Installer is responsible for selecting mounting hardware appropriate for site conditions.**

PLEASE READ - Safety Information

Important Safety Information



Important Safety Information

Improper installation and use of the FlexShade® Battery can result in serious injury or death. Primarily, injuries can occur if the unit falls due to imprecise installation, mishandling of the unit during installation, or installation on an insufficient wall or ceiling structure. Please use extreme care.

1. Please read the following installation guidelines thoroughly and follow them carefully. Failure to do so may cause product to fall or otherwise fail, and could result in serious injury.
2. Installation and calibration of the unit should only be performed by an authorized, qualified, and experienced professional. In particular, electrical work and wiring [indicated in diagram by dashed lines] must be completed only by a qualified professional electrician who has read this manual completely and is familiar with the construction and operation of this equipment and the hazards involved.
3. Do not affix the unit to wall or ceilings that have inadequate strength to permanently hold the unit during use. It is the owner's and installer's responsibility to confirm the wall or ceiling to which the unit attaches is sufficient to permanently hold the weight and stress loads of the unit at all times. Draper, Inc., is not responsible for improper installation, application, testing, or workmanship related to the product at place of installation.
4. It is the installer's responsibility to make sure appropriate fasteners are used for mounting.
5. All brackets, fascia, headboxes, pockets, wall clips, and other hardware must be installed level. Unit must be level and square.
6. Never leave the area while operating the unit during installation, maintenance, or normal operation, unless it is secure and safe.
7. Before testing or operation, carefully inspect the entire area and path of the shade and areas underneath the shade to be sure no persons or objects are in the area.
8. Turn off power and any nearby equipment or cables carrying electricity before connecting switches, wires, controls, or electrical components.
9. Make sure the limit switches are pointed down or accessible when placing the motor in brackets/endcaps.
10. All motors should be tested and limits set using test cord before shades are wired.
11. Do not wire motors in parallel without written permission from Draper, Inc.
12. During testing or operation, carefully watch the surrounding area for any potential safety concerns including nearby persons or objects.
13. After installation, the entire system, including all sensors, should be carefully tested to ensure safe and normal operation. Extreme care should be taken during testing to remain clear of moving parts to avoid possible injury.
14. Operation of unit should be performed only by authorized and qualified personnel, who have been trained in the safe and effective operation of the unit and understand its safety features.
15. The safety features of the unit, including sensors, should never be disabled, bypassed, or overridden. The system should not be operated until all safety features, including the sensors, are properly and completely installed, calibrated, and tested.
16. Unit may need to comply with local, state, or district rules and regulations, in particular when installed in schools. All applicable rules and regulations should be reviewed before installation and use.
17. Failure to precisely follow installation guidelines invalidates all warranties.
18. Custom products/installations may not be reflected in this manual. Call Draper®, Inc., if you have questions about the installation of custom products or any questions about your installation.

Before Beginning Installation

1. Look for any job site conditions that could interfere with installation or operation of the system.
2. Read carefully and be sure to understand all installation instructions and all related operations manuals. These instructions are intended to serve as a guide for the installer and owner. They should be followed closely and combined with the expertise of experienced qualified installers. Draper, Inc., is not responsible for improper installation, application, testing, or workmanship related to the product at place of installation. Please retain all instructions for future use.
3. Open cartons lengthwise.
4. Locate and lay out all pieces.
5. Inspect all boxes to make sure you have received the proper shade and parts. Controls may be shipped separately, or in same carton as shade.
6. If you have any difficulties with installing, servicing, or operating your shade, call your dealer or Draper, Inc., 765-987-7999.

PLEASE READ - Field Adjustments

Each Draper Solar Control Shade is tested to ensure proper operation. Even with this testing, some field adjustments may be needed for telescoping.

If the shade is telescoping, place a piece of high quality gaffer tape about 1" (25 mm) wide on the exposed roller (where the fabric will cover it) on the side that the fabric will be drawn toward. For example: if the fabric is tracking to the left, place the tape on the right side.

PLEASE READ - Cleaning and Maintenance

Window covering products manufactured by Draper, when properly installed, should require no operational maintenance or lubrication.

Most standard Draper fabrics may be cleaned at the window by vacuuming with a soft brush attachment. They also may be cleaned by using a sponge or soft cloth and mild solution of warm soapy water. A mild dishwashing liquid is recommended. A clean dry cloth is recommended for the metal finish.

Please Note: Exceptions are Flocké® and Phifer® SW7000 fabrics, which must be cleaned with a dry art sponge.

Section 1 - Site Preparation

⚠ Caution: Before mounting shades, verify measurements on label provided with shade, and ensure unit is installed at correct width.

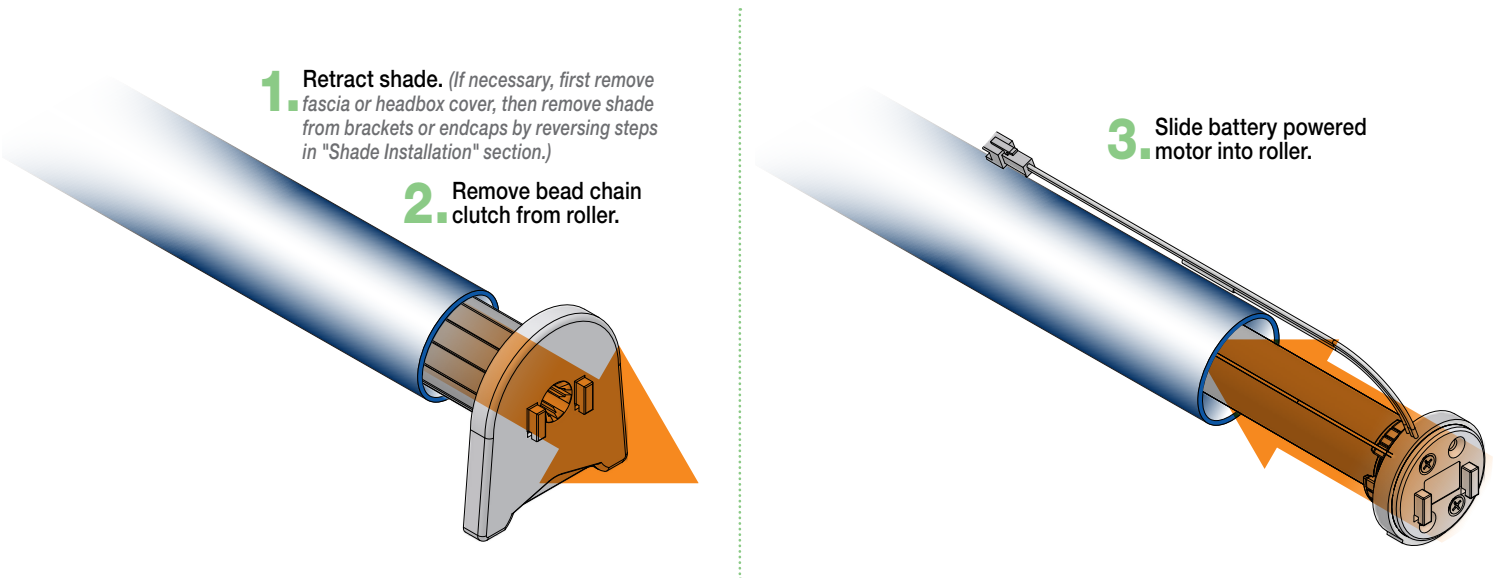
Please Note: Installer is responsible for selecting mounting hardware appropriate for site conditions.

1. Ensure mounting surface is strong enough to hold unit.
2. Verify unit measurements, ensuring it will fit in the desired location.
3. Mounting Brackets MUST be installed with a minimum gap of 1 3/4" (44mm) between the Endcap and the Mounting Bracket edge. Mark wall, jamb, or ceiling.
4. Verify power cable routing location on headbox.

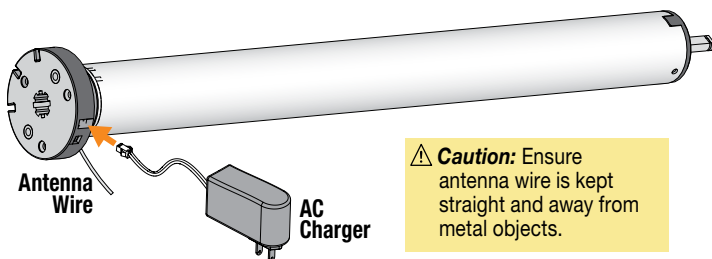
Section 2 - Retrofitting Battery-Powered Motor to Manual Shade Roller

Please Note: Disregard if installing new shades.

Please Note: For 1 1/2" (38 mm) rollers only.



Section 3 - Charging Battery



12V Built-In Li-ion Battery Option

1. During operation, if voltage drops to less than 10V, motor will beep 10 times to indicate it needs to be charged.
2. Motor will stop running when voltage is lower than 7V and resume when voltage is greater than 7.5V.
3. Once battery has been depleted, motor must be charged for 6 hours using recommended AC charger.

External Battery Pack Option

1. Mount battery pack to wall using provided mounting clips.
2. Locate the battery pack to reach the motor without interfering with shade/roller operation.

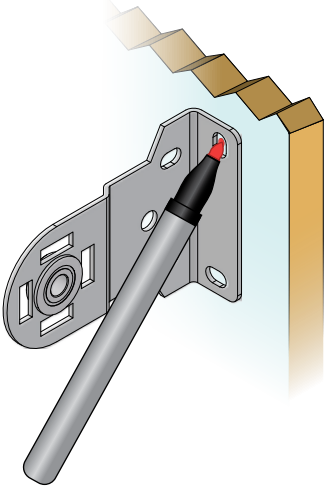


Please Note:

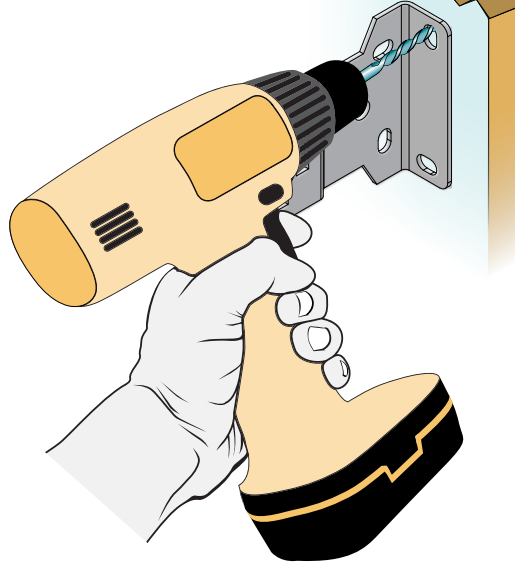
If mounting the battery pack vertically, small plastic grips are provided to slide onto the battery pack and create a tighter fit in the bracket.

Section 4 - Bracket Installation Option

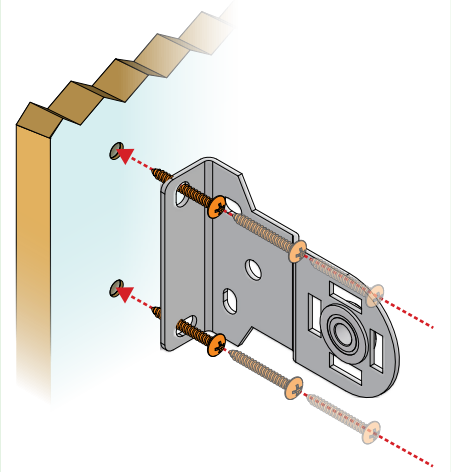
- 1.** Mark wall, jamb, or ceiling for placement of mounting brackets.



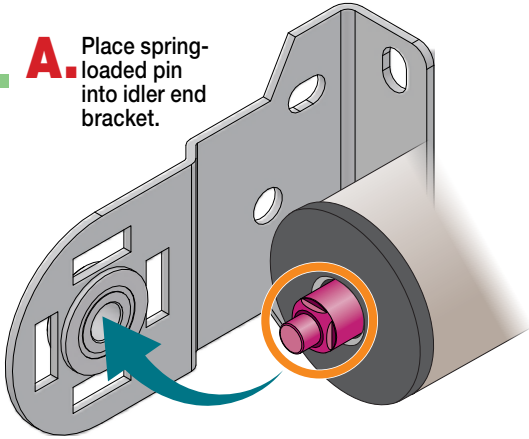
- 2.** Drill small starter hole (if necessary) in mounting surface.



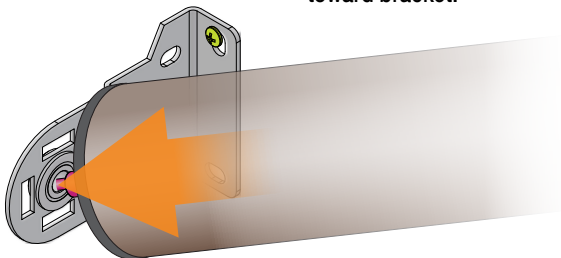
- 3.** Mount brackets using appropriate fasteners for surface.



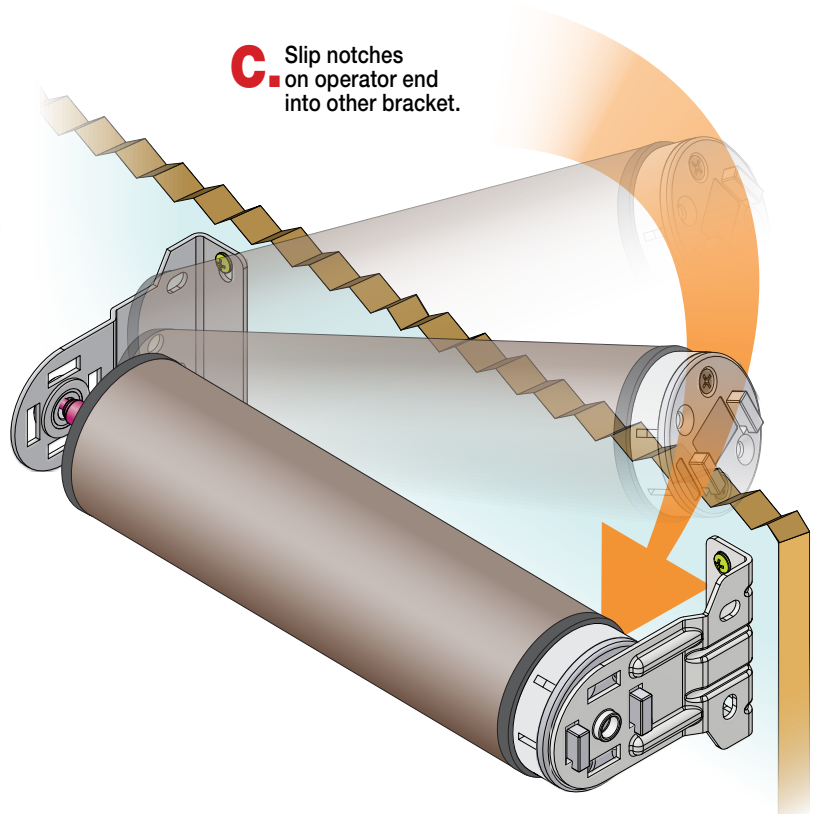
- 4. A.** Place spring-loaded pin into idler end bracket.



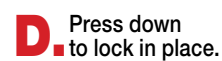
- B.** Depress pin by pushing shade roller toward bracket.



- C.** Slip notches on operator end into other bracket.

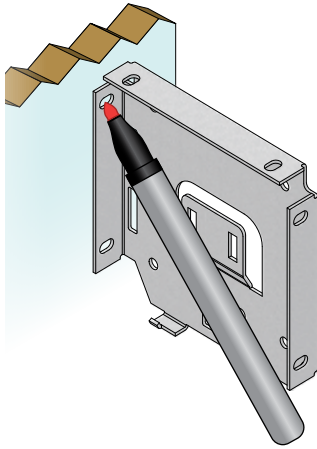


- D.** Press down to lock in place.

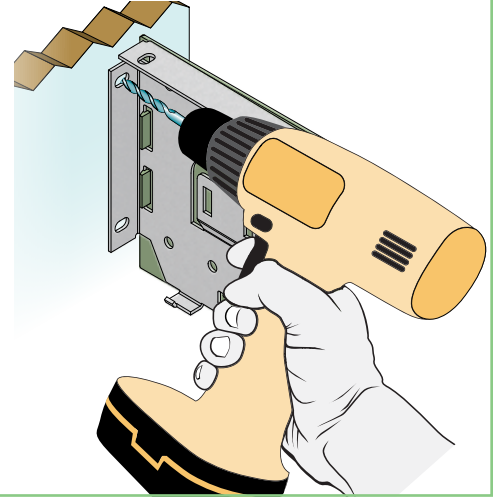


Section 5 - Endcap-Only Installation Option

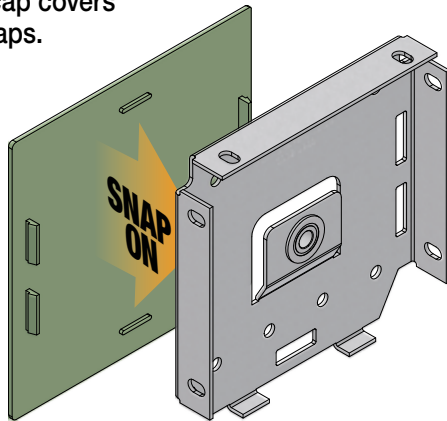
- 1.** Mark wall, jamb, or ceiling for placement of mounting endcaps.



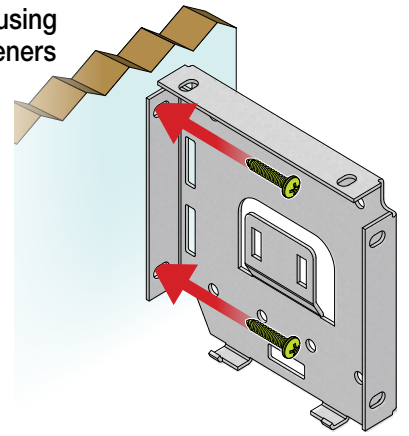
- 2.** Drill small starter hole (if necessary) in mounting surface.



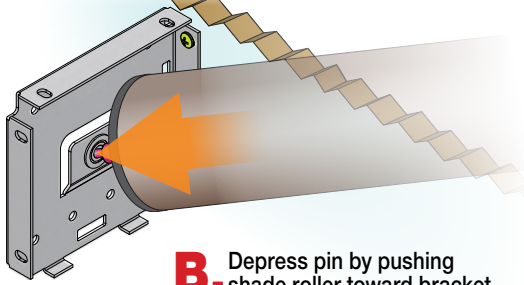
- 3.** Snap endcap covers onto endcaps.



- 4.** Mount endcaps using appropriate fasteners for surface.

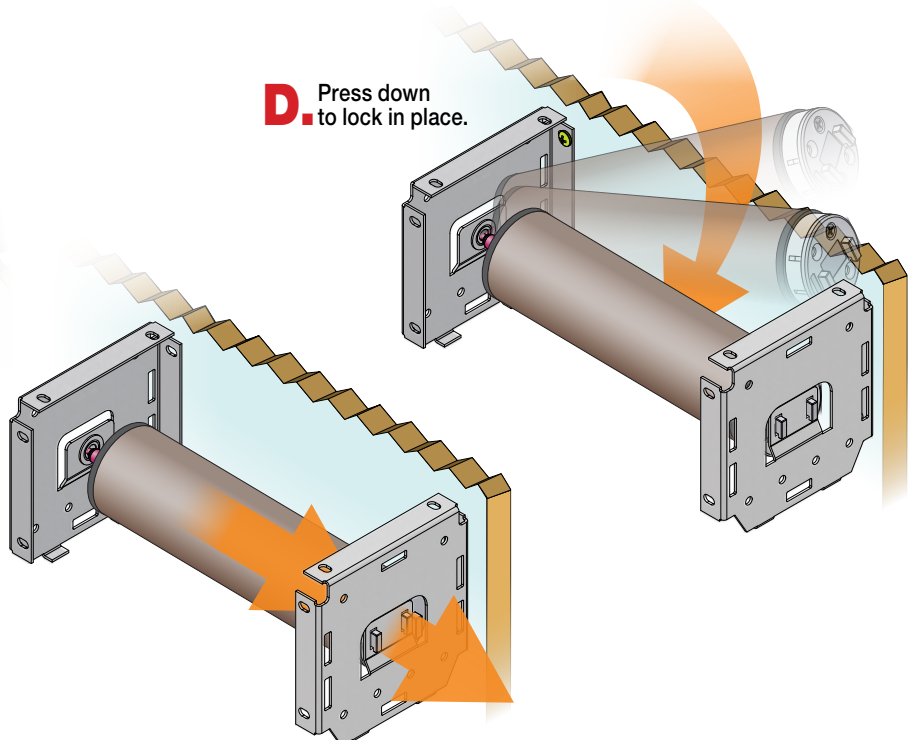


- 5.** **A.** Place spring-loaded pin into idler end bracket.



- B.** Depress pin by pushing shade roller toward bracket.

- C.** Slip notches on operator end into other bracket.



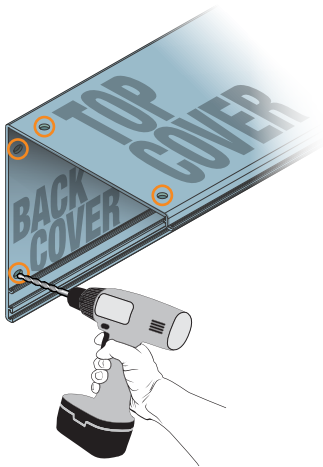
Section 6 - Surface Headbox Installation Option

Please Note: Installer must provide adequate clearance for removal of Roller Assembly during installation and maintenance.

Please Note: Headbox MUST BE mounted directly to ceiling or wall, or to a continuous blocking that has been secured to building structure.

1. Place endcaps into top/back cover pieces of ceiling/wall headbox.

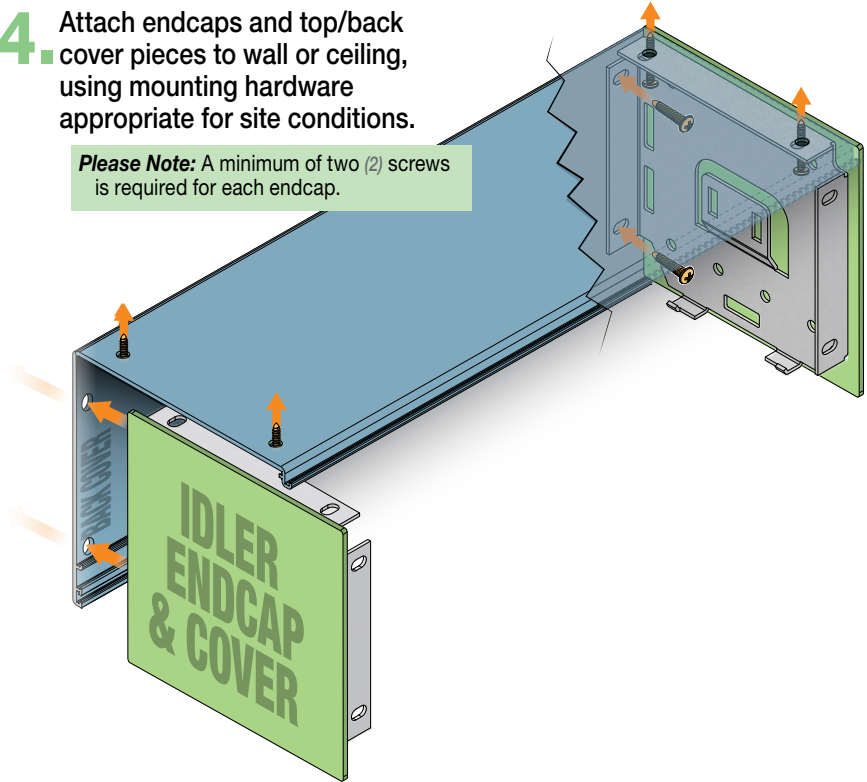
2. Using pre-drilled holes in endcaps, mark headbox for drilling.



3. Drill holes in back (wall mount) or top (ceiling mount) of top/back cover pieces.

4. Attach endcaps and top/back cover pieces to wall or ceiling, using mounting hardware appropriate for site conditions.

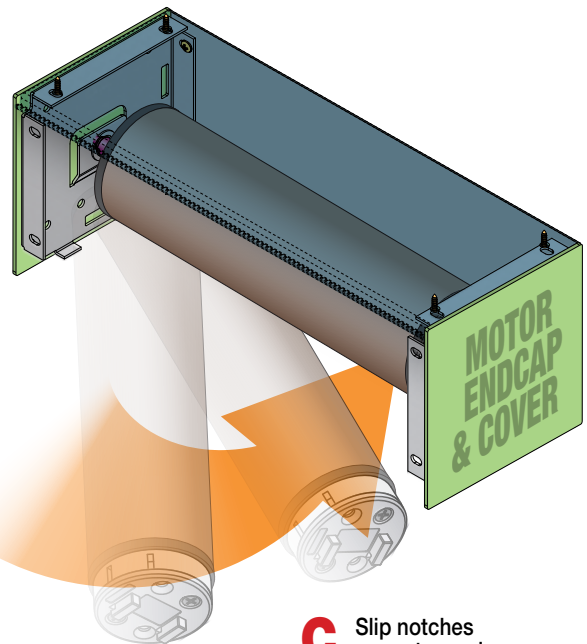
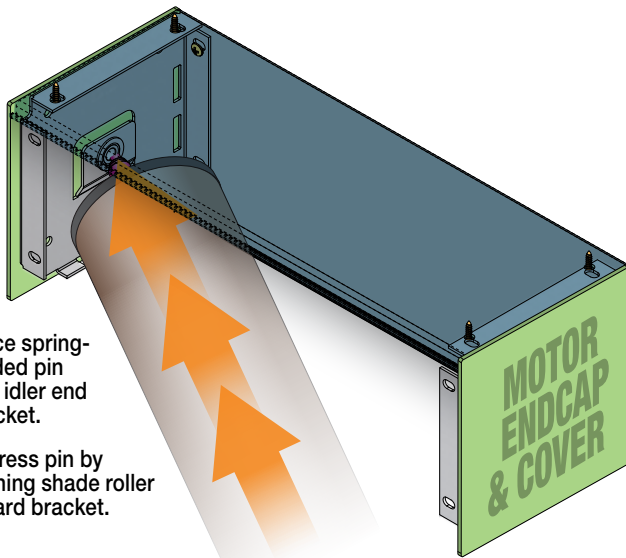
Please Note: A minimum of two (2) screws is required for each endcap.



5.

A. Place spring-loaded pin into idler end bracket.

B. Depress pin by pushing shade roller toward bracket.



C. Slip notches on motor end into other bracket.

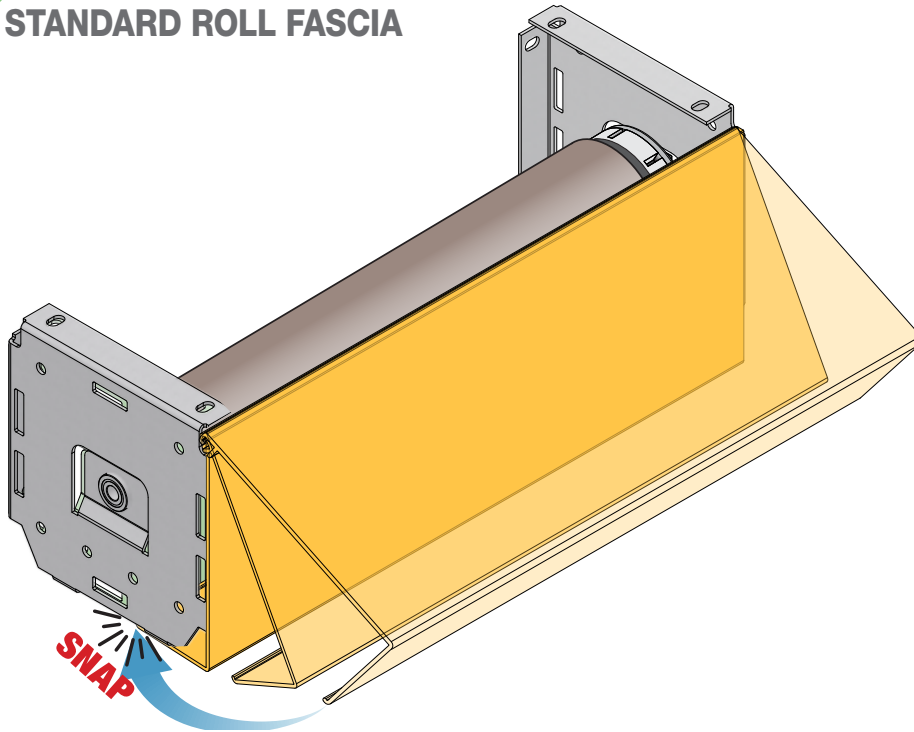
D. Press motor end upward to lock in place.

Section 7 - Fascia Installation (Optional) (Can be used with or without Surface Headbox.)

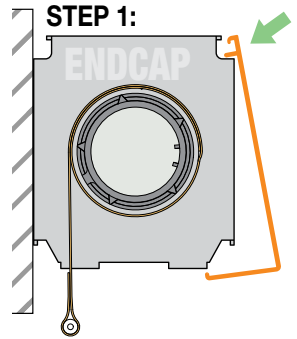
Please Note:

- Endcaps must be installed the correct distance apart for fascia to be properly attached with full engagement.
- Fascia is not fully seated until it clicks into place on both ends.
- Once in place, check for secure fit. If not secure, use an appropriate fastener (not included).

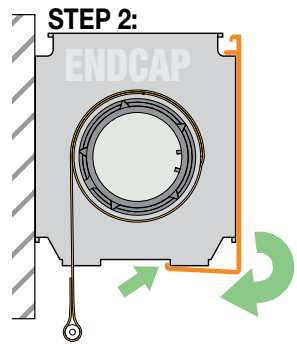
STANDARD ROLL FASCIA



1. Place groove along top of fascia over endcaps.

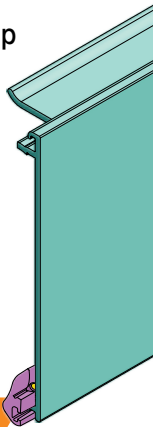


2. Snap into place.



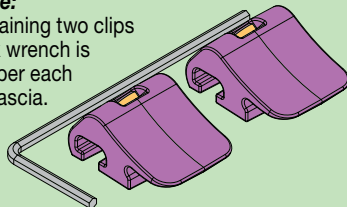
REVERSE ROLL FASCIA

1. Slide fascia clip onto fascia.

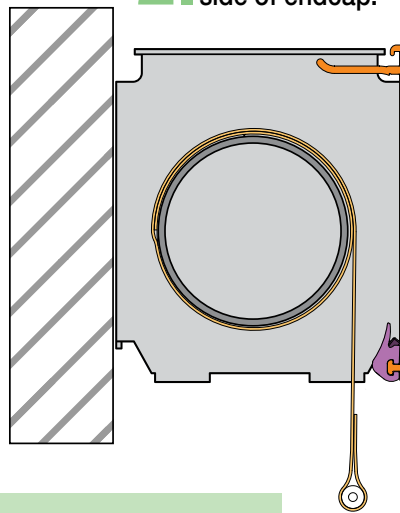


Please Note:

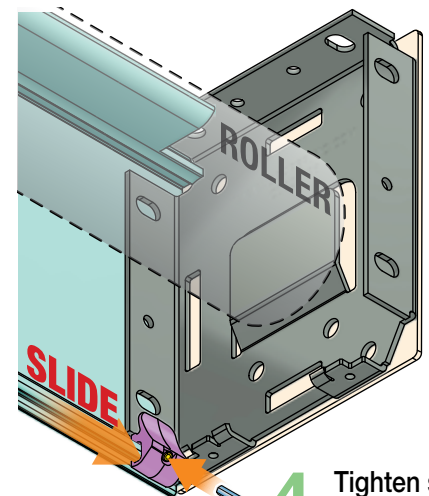
A kit containing two clips and a hex wrench is supplied per each piece of fascia.



2. Hang fascia on room side of endcap.



3. Slide clip to end of fascia, ensuring that the clip covers mounting bracket of endcaps.



4. Tighten set-screw with included Hex Wrench.

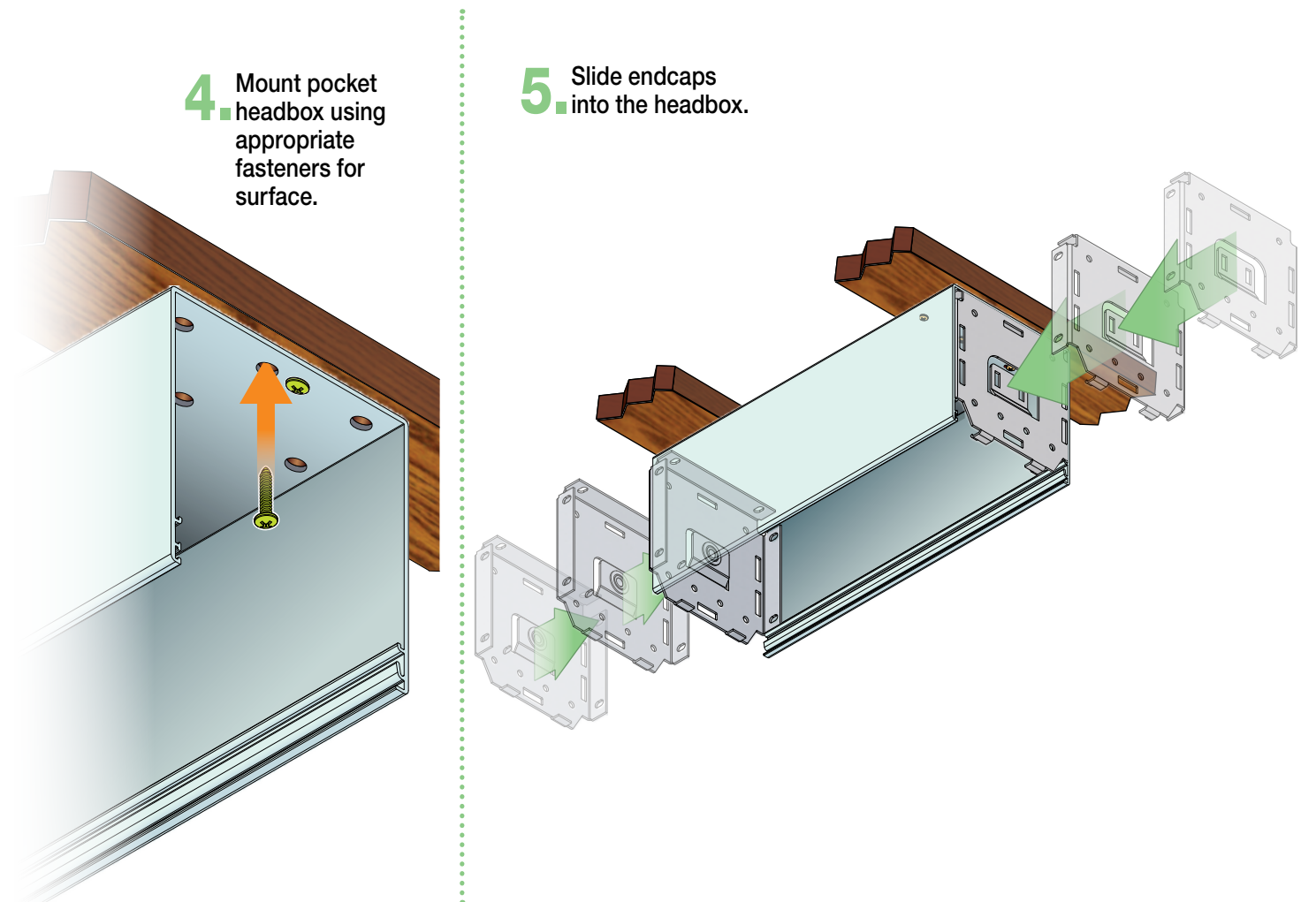
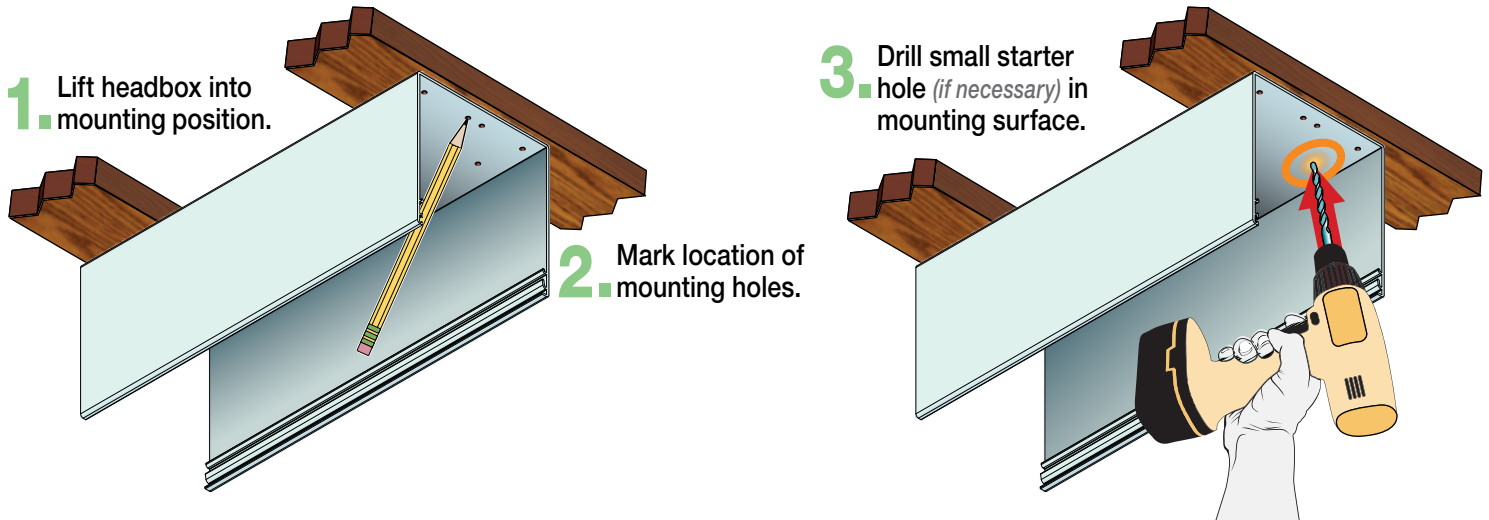
Section 8 - Pocket Headbox Installation (Optional)

⚠ Caution: Before mounting shades, verify measurements on the card provided with the shade, and ensure the endcaps are installed at the correct width.

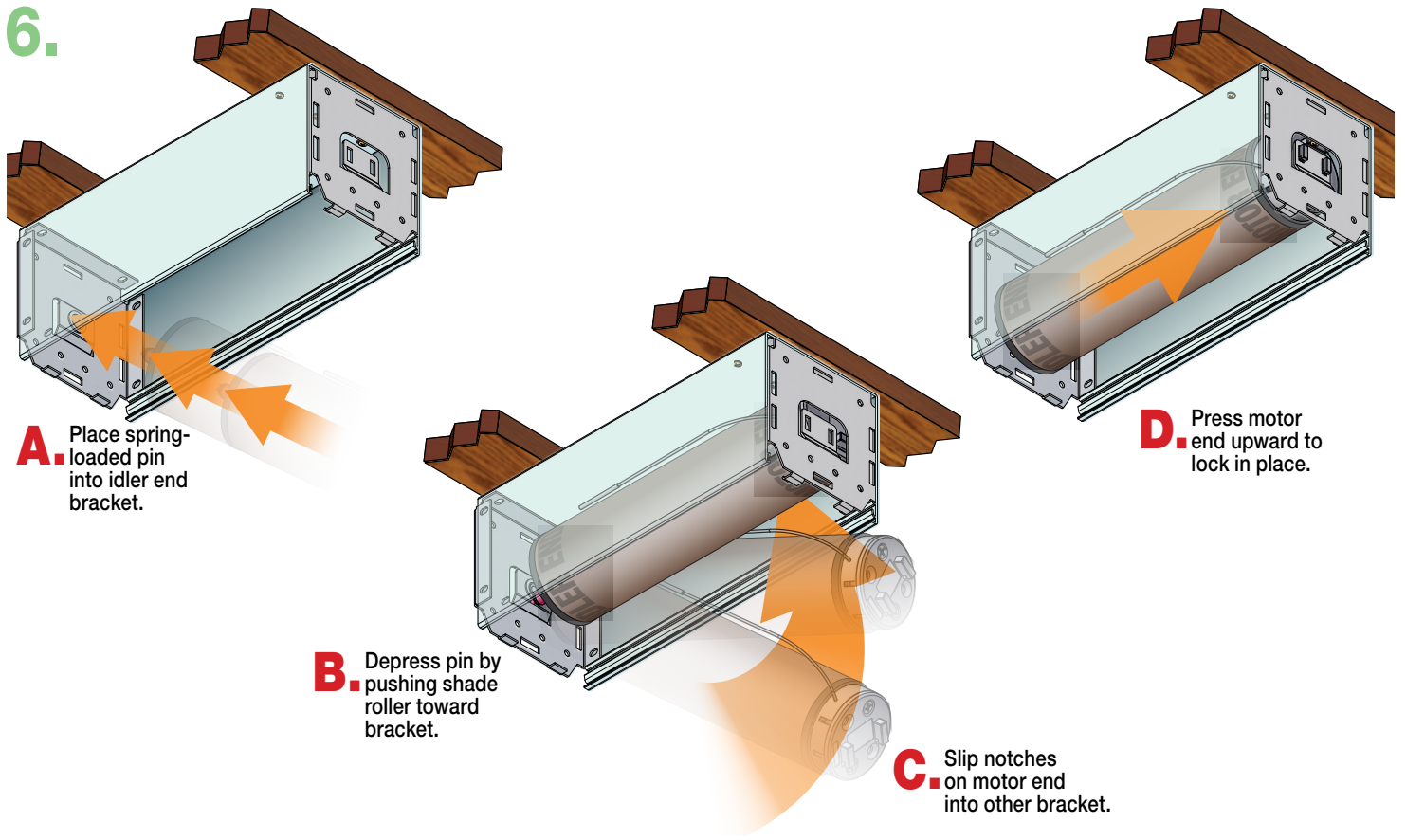
Please Note: If unit is to be installed without Surface or Pocket Headbox, proceed to **Section 5**.

Please Note: Installer must provide adequate clearance for removal of Roller Assembly during installation and maintenance.

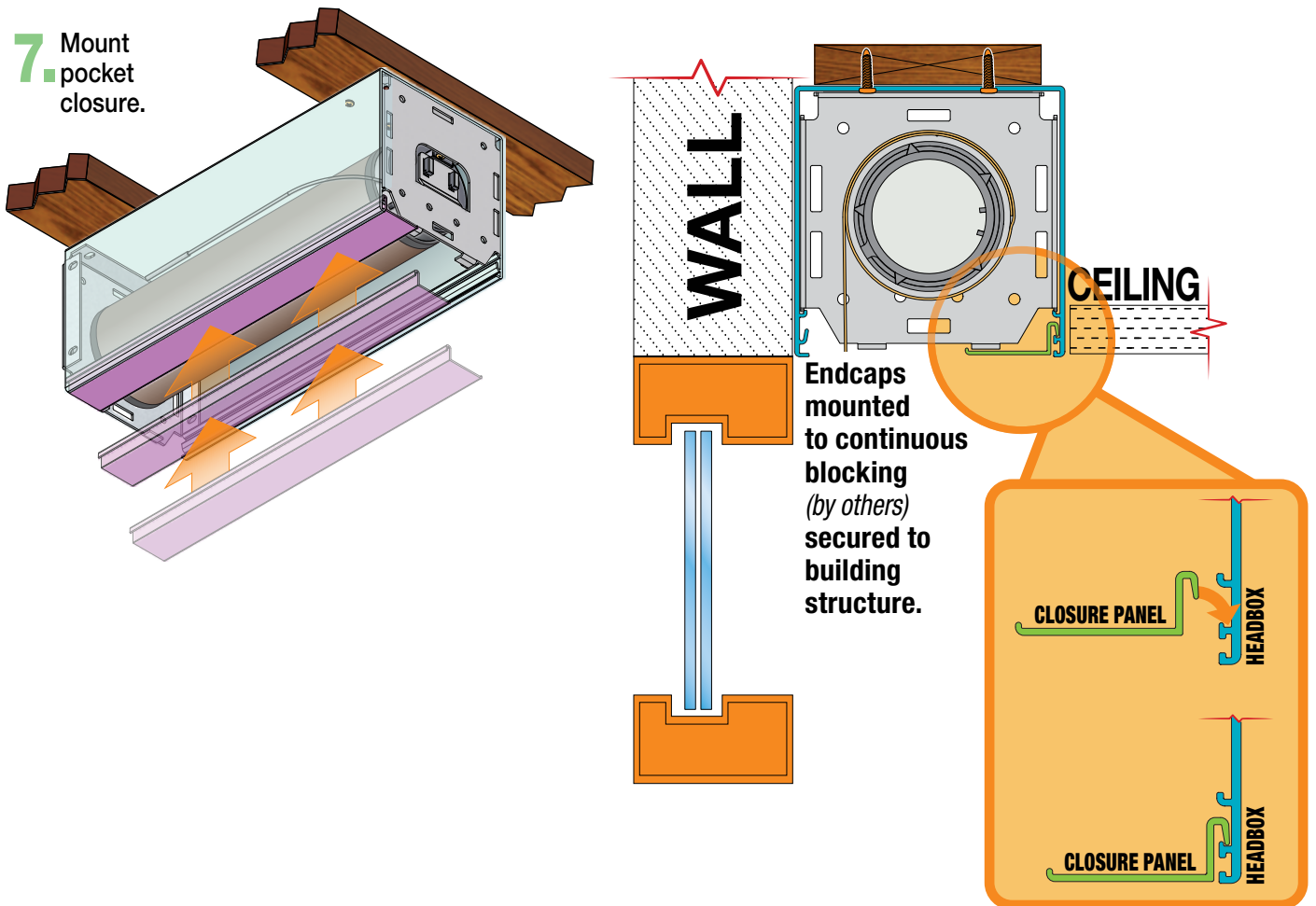
Please Note: Headbox MUST BE mounted directly to ceiling or wall, or to a continuous blocking that has been secured to building structure.



6.



7. Mount pocket closure.



Section 9 - Programming Somfy Wire-Free Zigbee®

IMPORTANT: Consult the [Zigbee Planning Sheet & Sales Guide](#) to help plan a Zigbee project.

IMPORTANT: Locate QR code on the shade cloth ticket to initiate your project. QR code can also be found on several other components, in case ticket is lost: Motor Antenna, Physical motor (*must remove motor from tube*), Shade Roller (*must unroll shade completely to locate*)

1. The Zigbee System is controlled in one of two ways:



A. The TaHoma switch, a wireless router "hub" with 2.4 Ghz support)

Please Note: One (1) TaHoma switch is supported per Zigbee system.



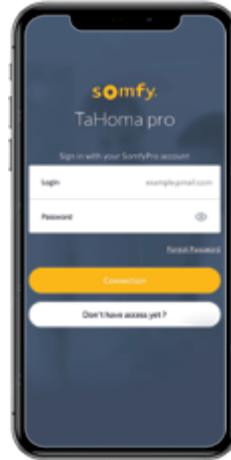
B. As a "hubless" system, using only Ysia remotes

Please Note:

No integration is possible with this "hubless" option, and range is limited to roughly 35'.



2. Download the TaHoma Pro app from the Apple App Store or Google Play to a Bluetooth enabled device.



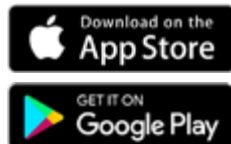
3. Scan QR code on the shade cloth ticket to initiate your project. QR code can also be found on several different components, in case ticket is lost:

- Shade Cloth Ticket
- Motor Antenna
- Physical motor
- Shade Roller

4. Follow the steps in the app to set up the TaHoma system.



5. End Users will utilize TaHoma North America, an app available for smart devices available on the Apple App Store or Google Play.



6. Program the Zigbee system, devices, and equipment.



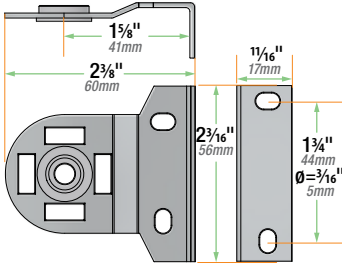
To program a TaHoma system, follow the steps in the app or download the [Somfy TaHoma Pro Programming Guide](#)



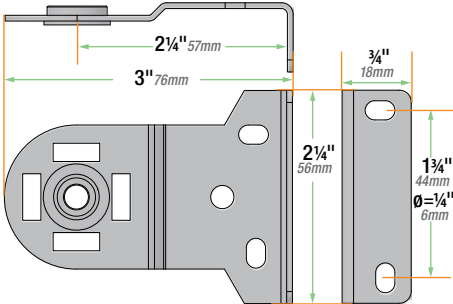
To program a Hubless or Standalone system, download the guide for [Zigbee Standalone Solution Using Ysia Remotes](#)

Section 10 - Bracket Dimensions

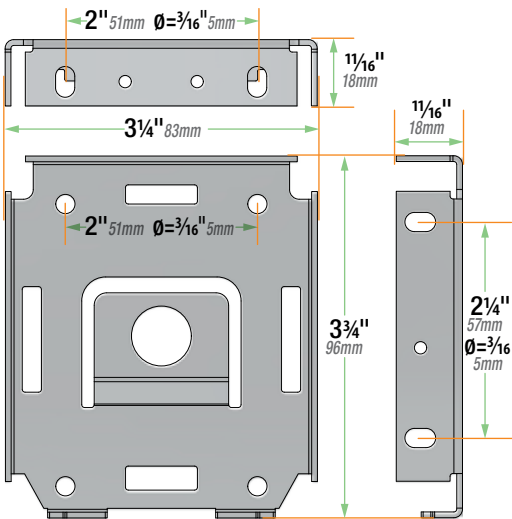
SMALL BRACKET DIMENSIONS



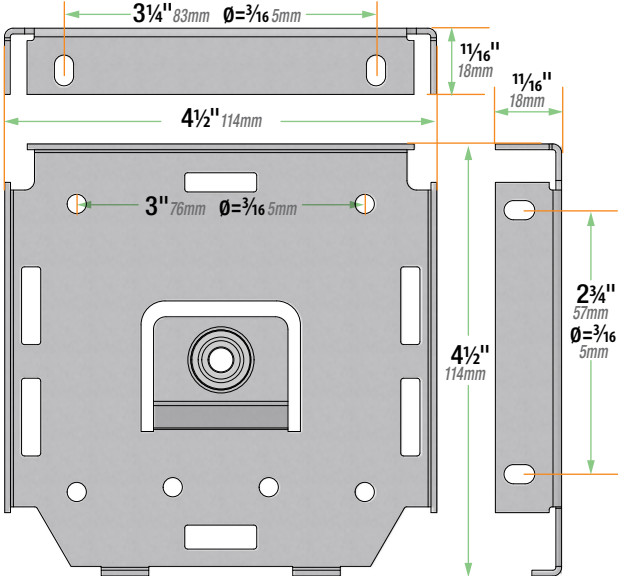
LARGE BRACKET DIMENSIONS



SMALL ENDCAP DIMENSIONS



LARGE ENDCAP DIMENSIONS



Section 11 - Overall Dimensions

