

FlexShade® Battery Zigbee®

Long-lasting, rechargeable battery for window shades

SUBMITTAL
TECHNICAL INFO

Please check all appropriate selections and attach room schedule with verified dimensions.

Fabric Series: _____

Color Name / Number: _____

Openness Factor: _____

Please see Draper's [Fabric Options](#) for fabric colors and specifications.

Select Fabric Orientation

- Regular Roll (from back of roller)
- Reverse Roll (from front of roller) [Not avail. with surface headbox]

Select Single Roller Hardware

- Universal Brackets Endcaps Only (Ceiling / Wall / Inside / Outside)
- Endcaps with Fascia

Select Optional Headbox

- Ceiling / Wall (Surface Headbox)
- Pocket Style
- Type "D" Pocket with Tile Lip (White only; not compatible with 3" [76 mm] roller)
- Custom Headbox

Select Optional "L" or "U" Channels (for Light Gap Reduction)

- Aluminum "L" Angle
- Vinyl "L" Angle
- Aluminum "U" Channel

Select Hardware Finish (does not apply to Type D Headbox)

- Clear Anodized (standard) (available with clutch only)
- Black
- Ivory
- White
- Charcoal Bronze

Select Hem Bar Style

- Closed Pocket - 1" (25 mm) Elliptical (standard)
- Open Pocket - 1" (25 mm) Elliptical
- Flat Exposed Hem Bar
 - Small
 - Large
- Style Bar Hem Bar
 - Exposed (no fabric wrap)
 - Half Wrapped (with shade fabric)
 - Full Wrapped (with shade fabric)
- Round Exposed Hem Bar
- 3/8" (5 mm) Tube
- None

Select Motor Location

As seen from INSIDE the room facing the window. Also indicate on room schedule.

- Right Side (standard)
- Left Side

Select Motor Type

- External Battery wand
- Rechargeable Lithium Ion Motor

Select Control Options

For specific control option, indicate Draper Part Number(s) in the space provided.

- Handheld Remote: _____
- Wireless Wall Switch: _____
- Accessories (consult DraperInc.com): _____

Available Sizes:

WIDTH:	2'	3'	4'	5'	6'	7'	8'
HEIGHT:							
2'							
3'							
4'							
5'							
6'							
7'							
8'							

* Sizes requiring large endcaps/brackets will vary according to fabric.

- Battery Motor available on shades through 8' x 8'.

Specifications

EQUIPMENT

BATTERY OPERATOR: Drive unit inside roller, instantly reversible, lifetime lubricated. Right-hand motor location standard. Left-hand motor location also available with endcaps. Limit switches adjustable using wall switch or remote control. Operates on power provided by two 12V battery wands. Reloadable battery wand (AA lithium batteries NOT INCLUDED) and NiMH Solar Rechargeable Battery Wand with Solar Recharge Panel also available (for limitations see documentation at www.draperinc.com/go/BatteryPoweredShade.htm). Can be retrofitted to Draper manual shades.

HARDWARE

ROLLERS: 1½" (38 mm) dia., extruded aluminum. Roller assembly easily removable.

MOUNTING BRACKETS: 1018 plated steel stamping universal bracket for mounting to wall, ceiling, or jamb. Brackets do not require additional adapters.

ROLLER IDLER ASSEMBLY: Type 6 / 6 injected molded nylon and spring-loaded pin for easy installation and removal of the roller.

SLAT: Aluminum, min. 1/8" (3 mm) x 1" (25 mm), encased in heat sealed hem.

ENDCAPS: 1028 steel stamping, 3 ¼" x 3 ¾" (82 x 95 mm). Complete with adapter roller bracket. Installs to wall, ceiling, or jamb. Accepts fascia or headbox. Clear Anodized (standard), or black, white, ivory or bronze powder coat finish available.

ENDCAP COVERS: Plastic covers snap onto endcaps. Available in ivory, bronze, black, or white to match fascia.

FASCIA: L-shaped cover of extruded aluminum, .060 wall. Assembly snaps onto endcaps without exposed fasteners. Clear Anodized (standard), black, white, ivory, or charcoal bronze finish available.

HEADBOX: Standard consists of fascia, L-shaped back/top cover. Assembly snaps onto endcaps. 3 ¾" x 3 ¾" (86 x 98 mm).

DOWNLOADABLE 3-PART SPECIFICATIONS: available at www.draperinc.com.

Please note: Dimensions of rollers, operators and hardware at manufacturer's discretion.

PROJECT: _____

ARCHITECT: _____

CONTRACTOR: _____

SUPPLIER: _____

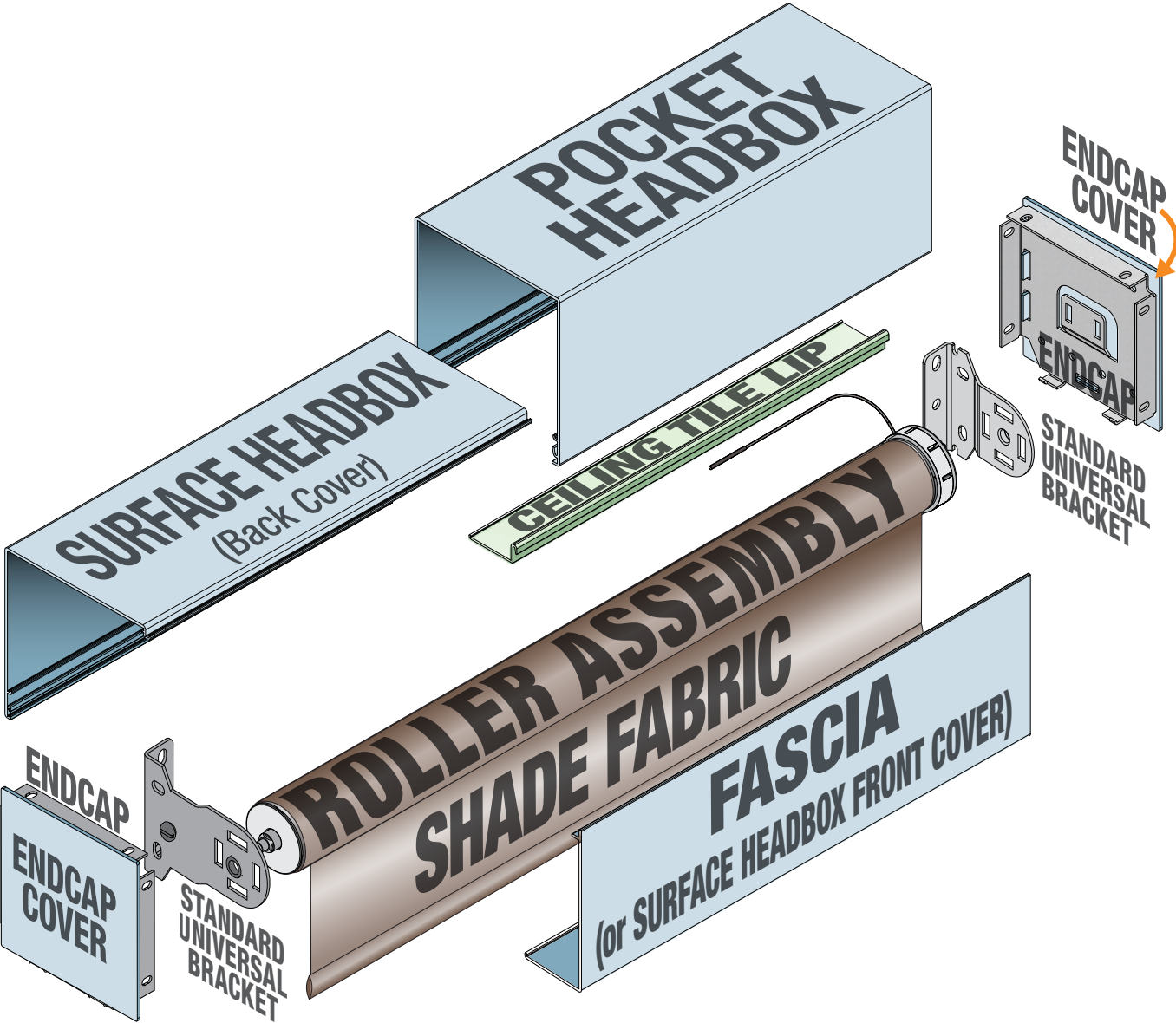
DATE: _____ REVISED: _____



Draper, Inc. | 411 S. Pearl St. Spiceland, IN 47385
draperinc.com | 765.987.7999 | 800.238.7999
© 2026 All Rights Reserved | FORM: FS_BAZ_Sub26



Components



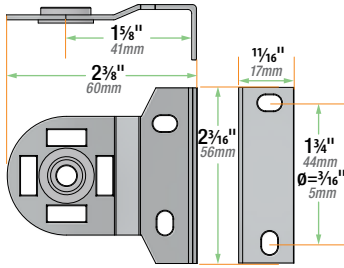
Rechargeable Li-ion Battery

- Voltage Capacity: 12V DC @ 2600mAh
- 9.8" (250 mm) long x 1" (25mm) diameter
- Max distance between motor & power source: 16.5ft (5m)

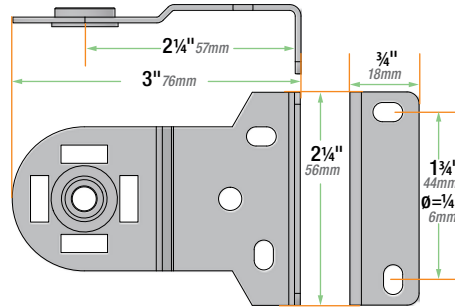


Hardware Dimensions

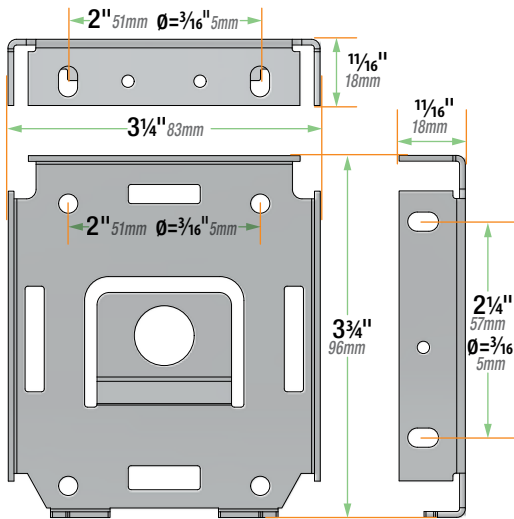
SMALL BRACKET DIMENSIONS



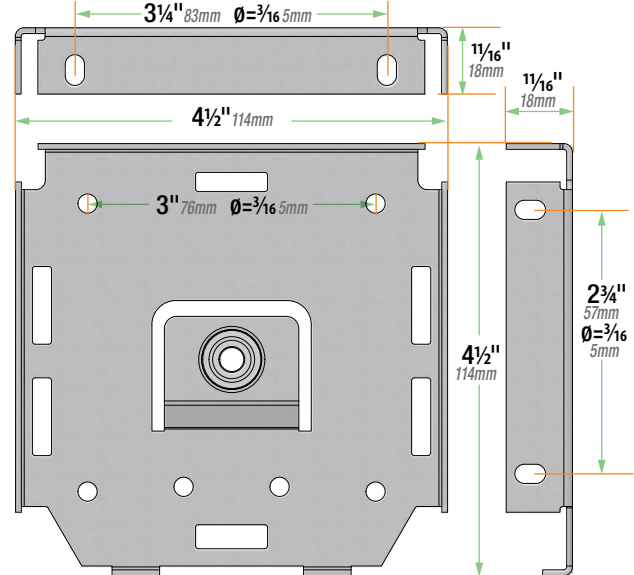
LARGE BRACKET DIMENSIONS



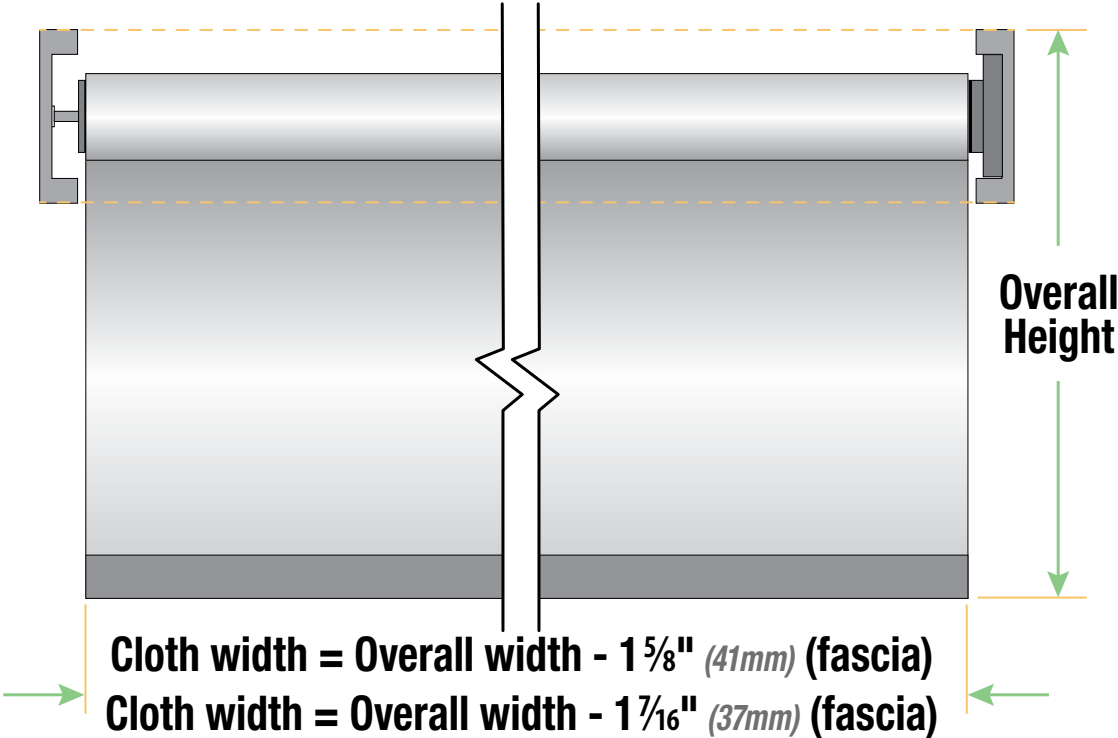
SMALL ENDCAP DIMENSIONS



LARGE ENDCAP DIMENSIONS



Overall Dimensions



Please Note: Fascia Overall Width includes plastic endcap covers.
Pair adds 1/8" (3 mm) to Overall Width