

FlexShade® Ascend

Cordless operated manual shade with available fascia



SUBMITTAL TECHNICAL INFO

FLSHADE ASCEND

Please check all appropriate selections and attach room schedule with verified dimensions.

Fabric Series: _____

Color Name / Number: _____

Openness Factor: _____

Please see [Draper® Fabric Options](#) for fabric colors and specifications.

Specifications

EQUIPMENT

SPRING OPERATOR: Balanced spring mechanism with metal roller. Adjuster ring built into the spring mechanism allows for finite adjustment of the torque output of the mechanism by turning it clockwise or counterclockwise. A built-in limiter prevents over extension of the spring mechanism.

COMPONENTS

ROLLERS: Fabricated from extruded aluminum, galvanized steel, or enameled steel. Diameter, wall thickness, and material selected by manufacturer to accommodate shade type and size. Minimum roller diameter 1.54 inches (38mm) dia. with .065 wall.

UNIVERSAL MOUNTING BRACKETS:

1018 plated steel stamping. Sizes 1 5/8" (41mm) and 2 1/4" (57mm). Mount to face, ceiling, or jamb. Brackets do not require additional adapters. Powder coated white.

ENDCAPS:

1018 steel stamping. 2 sizes: 3 3/8" x 3 7/8" (86x98mm) and 4 5/8" x 4 3/4" (117x117mm). Complete with adapter roller bracket. Installs to face, ceiling, or jamb. Accepts box covers and fabric guide.

ENDCAP COVERS: Plastic covers snap onto endcaps. Available in silver, ivory, bronze, black, or white to match fascia.

FASCIA:

"L" cover of extruded aluminum, .060 (1.5mm) wall. Fascia snaps onto endcaps without exposed fasteners. Clear Anodized (standard), black, white, ivory, or bronze powder coat finish available. Custom powder coat colors available. Continuous fascia available with side-by-side units.

SURFACE HEADBOX:

Consists of fascia, "L" shaped back/top cover of extruded aluminum. Endcaps slide into extrusion without exposed fasteners.

ROLLER IDLER ASSEMBLY:

Fiberglass reinforced polyester thermopolymer (PBT), with spring-loaded pin to interlock with mounting bracket.

FABRIC ATTACHMENT:

Fabric connected to the roller tube with LSE (low surface energy) double sided adhesive specifically developed to attach coated textiles to metal.

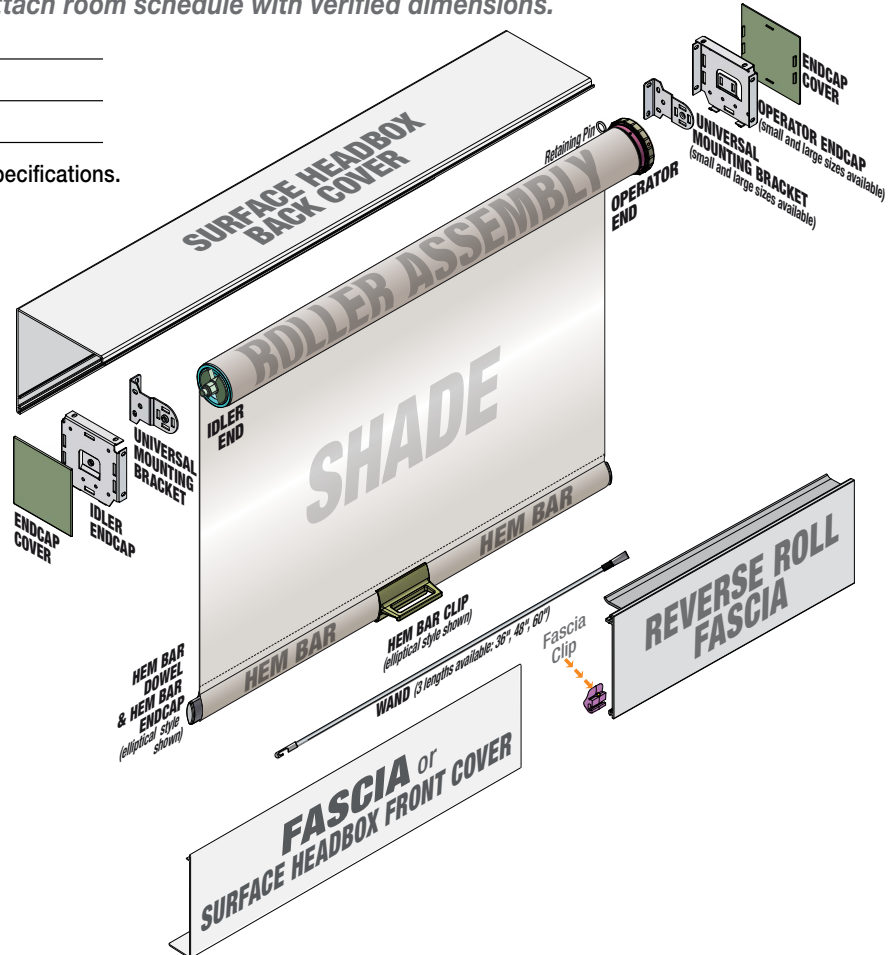
HEM BAR:

OPEN POCKET ELLIPTICAL SLAT: 1 inch (25mm) aluminum elliptical slat with plastic ends inside of a 1 3/8 inch (41mm) pocket.

DOWNLOADABLE 3-PART SPECIFICATIONS:

www.draperinc.com

Please note: Dimensions of rollers, operators, and hardware at manufacturer's discretion.



Select Fabric Orientation:

- Regular Roll (Operator on the RIGHT)
- Reverse Roll (Operator on the LEFT)

Select Hardware

- Universal Brackets
- Endcaps Only:
 - Small Large
- Endcaps with Fascia:
 - Small Large
- Surface Headbox (Back Cover + Front Cover)

Select Hardware Finish

- Clear Anodized (Standard)
- Ivory
- Black
- Bronze
- White
- Custom (Contact Draper)

Select Optional Accessory

- Pull-Down Wand (Available in White only)
 - 36" 48" 60"

WARNING: Ascend operator should not be used with products or pockets having a bottom closure without written permission from Draper.

WIDTH: 2' 3' 4' 5' 6' 7' 8' 9' 10'

HEIGHT	2'	3'	4'	5'	6'	7'	8'	9'	10'
2'									
3'									
4'									
5'									
6'									
7'									
8'									
9'									
10'									

PROJECT: _____

ARCHITECT: _____

CONTRACTOR: _____

SUPPLIER: _____

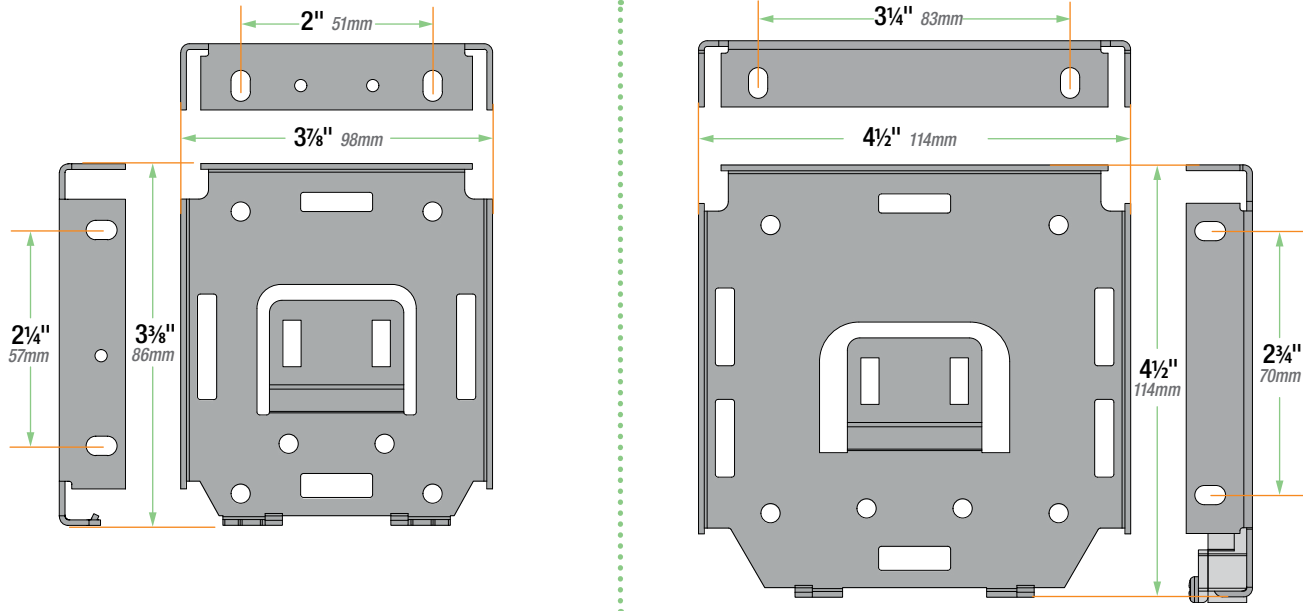
DATE: _____ REVISED: _____



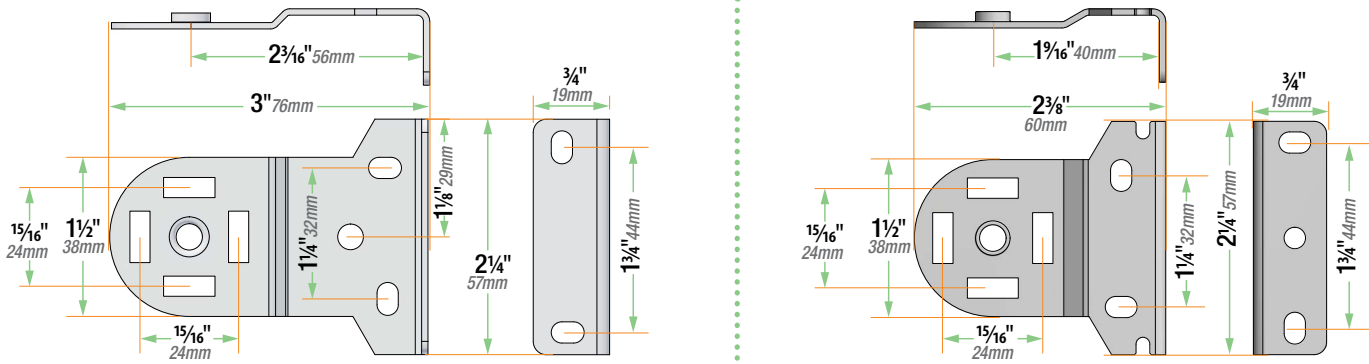
Draper, Inc. | 411 S. Pearl St. Spiceland, IN 47385
draperinc.com | 765.987.7999 | 800.238.7999

© 2024 All Rights Reserved | FORM: FS_Ascend_Sub24

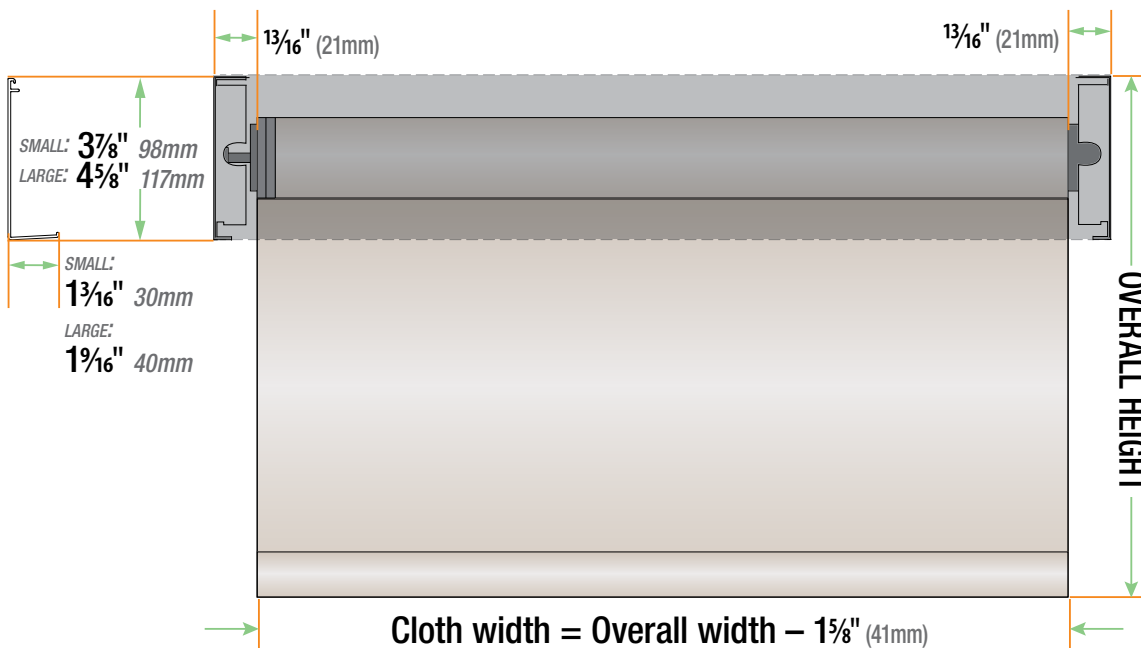
Endcap Dimensions



Bracket Dimensions



Shade Dimensions



Cloth width = Overall width - 1 5/8" (41mm)

Shade Overall Width includes plastic endcap covers.

Pair of small endcap covers adds 1/8" (3.2mm) to Overall Width.

Pair of large endcap covers adds 3/16" (4.8mm) to Overall Width.