

Please check all appropriate selections and attach room schedule with verified dimensions.

Motorized Shade Options

Fabric Series: _____

Color Name / Number: _____

Openness Factor: _____

Please visit [Draper Fabric Options](#) for fabric colors and specifications.

Select Fabric Orientation

- Regular Roll (from back of roller)
- Reverse Roll (from front of roller)

Select Fabric Attachment

- Standard
- Optional Spline Attachment

Select Slat Style

- Closed Pocket - 1" (25mm) Elliptical (standard)
- Open Pocket - 1" (25mm) Elliptical
- Small Flat Exposed Hem Bar
- Large Flat Exposed Hem Bar
- Round Exposed Hem Bar
- 5/8" (16mm) Tube
- None

Select IntelliFlex I/O Control Options

Number of Motors: _____

Number of Single Zone Wall Switches (C112.161): _____

Number of Dual Zone Wall Switches (C112.162): _____

Number of Handheld Remotes (C156.270): _____

A Wireless Network Gateway is required use Remote.

Number of A/V Gateways (C156.269): _____

Number of Contact Closure Interfaces (C156.273): _____

Number of Extra Network Device Connectors (NDCs): _____

NDCs included with each motor and I/O network component that requires an NDC.

Include Low Voltage Network Cables?

- Yes
 - 3' (91cm) (C107.100) How many _____
 - 6' (182cm) (C107.101) How many _____
 - 12' (366cm) (C107.102) How many _____
 - 25' (762cm) (C107.103) How many _____
 - 50' (1524cm) (C107.104) How many _____
- No

Include Commissioning Tools?

- Yes
 - Motor Limit Tool (C202.030) (How Many? _____).
- No

Coupled Shades

- Yes (How Many Fabric Panels? _____).
Also indicate on room schedule.
- No

Select Hardware

- Brackets Only
 - Wall
 - Ceiling
- Endcaps Only
- Endcaps w/Fascia
- Surface Headbox (Fascia & Top/Back Cover)
- Headbox
 - Pocket Style Headbox
 - Type "D" Pocket w/Tile Lip (White; not available w/ 3" roller)
 - Custom Headbox
- Wall Clip
 - With Ceiling Tile Lip
 - Without Ceiling Tile Lip
- Closure Panel for Wall Clip, Type "D" Pocket or Custom Headbox
 - 1 1/2" (38mm)
 - 3" (76mm)
 - 5" (127mm) (For Wall Clip and Custom Headbox Only)
- Light Gap Reduction Hardware
 - 'L' Angle
 - 'U' Channel
 - 'H' Channel
 - Channel Liners

Select Hardware Finish (does not apply to Type "D" Pocket)

- Clear Anodized (standard)
- White
- Bronze
- Black
- Ivory
- Custom (Contact Draper)

Available Sizes:

WIDTH:	2'	3'	4'	5'	6'	7'	8'	9'	10'	11'	12'	13'	14'
HEIGHT:													
2'													
3'													
4'													
5'													
6'													
7'													
8'													
9'													
10'													
11'													
12'													
13'													
14'													

** Sizes requiring large endcaps/brackets will vary according to fabric.*

- Small endcaps/brackets and 2" (51mm) roller are recommended.
- Large endcaps/brackets and 3" (76mm) roller may be required.



PROJECT: _____

ARCHITECT: _____

CONTRACTOR: _____

SUPPLIER: _____

DATE: _____ **REVISED:** _____

Specifications

EQUIPMENT

INTELLIFLEX I/O 6NM AC MOTOR (C047.300): Drive unit inside roller, 3-wire, instantly reversible, lifetime lubricated. Right hand or left hand operation selectable during programming. Adjustable electronic limit switches, thermal overload protector and electric brake. Operates on 110-120V AC 1 PH 60 HZ current. Draws 1.0 Amps. Sound level ≤ 42 dBA.

MOTOR LIMIT TOOL (C202.030): Used to program the limits, operating direction and preset stops for individual or networks of Draper intelligent motors.

NETWORK DEVICE CONNECTOR (C156.267): Used to connect IntelliFlex I/O devices into a network. Distributes both power and communications between devices.

WIRED WALL SWITCH (SINGLE ZONE - C112.161; DUAL ZONE - C112.162): Intelligent low voltage control device providing in-wall user interface. Communicates directly with intelligent motors. Uses priority based command structure which allows multiple switches to have different levels of authority.

WIRELESS REMOTE (C156.270): Display allows up to 32 channels. Touch control to position shades. Can be used as a simple commissioning tool.

WIRELESS NETWORK GATEWAY (C156.268): Required to use the wireless remote in a wired network.

A/V GATEWAY (C156.269): Used to integrate with 3rd party control systems. Supports RS-232 and RS-485. Contact closure inputs. Low voltage trigger. IR receiver input. LCD display allows for commissioning of serial groups.

CONTACT CLOSURE INTERFACE (C156.273): Used to connect simple switches or other contact closure devices into the network. Up to 6 contacts. Push buttons for commissioning.

HARDWARE

ROLLERS: Extruded aluminum or steel. Roller assembly easily removable.

OPTIONAL FABRIC ATTACHMENT: Fabric attached to roller tube with spline fabric attachment method. Allows for removal of fabric panel without removal of roller assembly.

MOUNTING BRACKETS: 1018 plated steel stamping. **2 SIZES:** 1 5/8" (41mm) and 2 1/4" (57mm). Styles for mounting to wall, ceiling, or jamb. Brackets do not require additional adapters.

ROLLER IDLER ASSEMBLY: Type 6/8 injected molded nylon and a zinc-plated cold rolled steel pin. Sliding pin for easy installation and removal of the roller.

SLAT: Aluminum, min. 1/8" x 1" (3 x 25mm), enclosed in heat seamed hem.

ENDCAPS: 1028 steel stamping. **2 SIZES:** 3 1/4" x 3 3/4" (83x95mm) and 4 1/2" x 4 1/2" (114x114mm). Complete with adapter roller bracket. Installs to wall, ceiling, or jamb. Accepts fascia or headbox.

ENDCAP COVERS: Plastic covers snap onto endcaps. Available in silver, ivory, bronze, black or white to match fascia.

FASCIA: "L" cover of extruded aluminum, .060 (1.5mm) wall. Fascia snaps onto endcaps. Continuous fascia available with coupled units. Clear Anodized (standard), black, white, ivory, or bronze powder coat finish available.

SURFACE HEADBOX: Consists of fascia, L-shaped back/top cover. Endcaps slide into extrusion without exposed fasteners.

POCKET HEADBOX: Optional, for pocket installation, includes a U-shaped back/top/front cover with removable bottom closure panel. **SMALL SIZE:** 3 7/8" x 3 15/16" (98x100mm). **LARGE SIZE:** 4 11/16" x 4 11/16" (119x119mm). Some exposed fasteners required.

TYPE D POCKET: Type D Shade Pocket, of extruded aluminum for perimeter installation. Accepts FlexShades installed with ceiling brackets. Finished in white paint. 5" x 5 3/8" x .125" (127x136x3mm) with 7/8" (22mm) tile support lip and removable bottom closure.

LIGHT GAP REDUCTION HARDWARE: Extruded Aluminum. Accepts edges of fabric, prevents light gaps. Interior of channel provides for use of flat head screws.

"L" ANGLE: 3/4" x 1" x 12'3" (1.9x2.5x373cm); 1" x 2 3/4" x 16' (2.5x7x488cm) or cut to length.

"U" CHANNEL: 1" x 2 1/2" x 16' (2.5x76x488cm) or cut to length.

"H" CHANNEL: 1" x 5" x 16' (2.5x12.7x488cm) or cut to length.

COUPLER ASSEMBLY: Zinc plated steel Coupler Shafts shall be retractable into coupler assembly for ease of installation and to lock units in place. Zinc plated steel coupler brackets shall have spherical OD bearings allowing for misalignment of the mounting brackets of up to 1.25-degrees. One motor or crank operator to drive additional shade rollers. Patent pending.

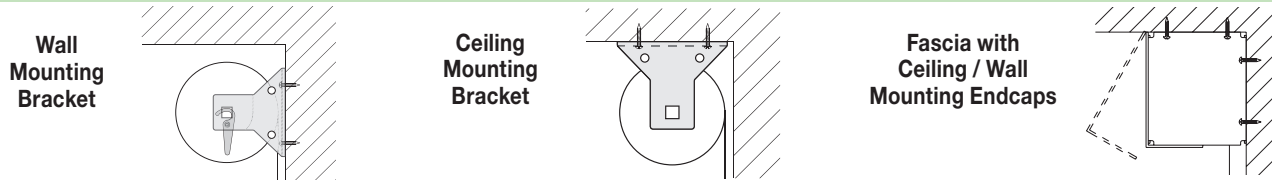
PATENT INFORMATION: available at <http://www.draperinc.com/legal/patents/>

DOWNLOADABLE 3-PART SPECIFICATIONS: available at www.draperinc.com.

Please note: Dimensions of rollers, operators and hardware at manufacturer's discretion.

Hardware Selections

Please Note: Brackets and endcaps have the attachment points for mounting a Motorized FlexShade. Optional fascia and headbox have a thickness of 1/16" (1.5mm).

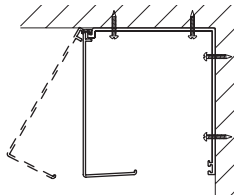


Headbox Installation Options

Surface Headbox

Consists of:

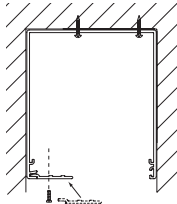
- Fascia,
- Back/Top Cover
- Ceiling/Wall Endcaps



Pocket Style Headbox

Consists of:

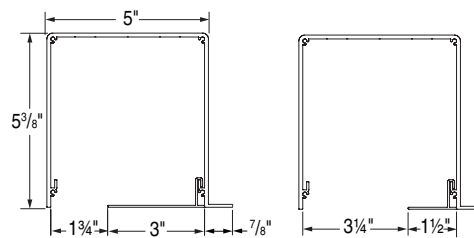
- Extruded pocket
- Bottom closure panel
- Ceiling/Wall Endcaps



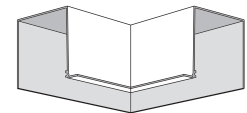
Type D Pocket

Consists of:

- Extruded aluminum pocket.
- A lip supports lay-in ceiling.
- Pre-welded corners and ends available.
- Ends with or without tile support lip.

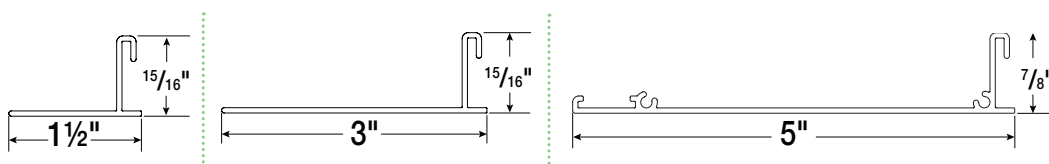


Typical pre-welded corner section (not to scale)

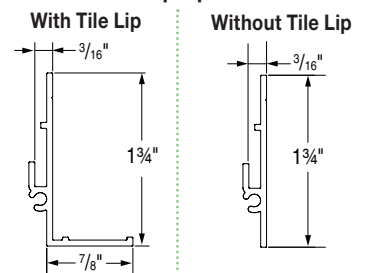


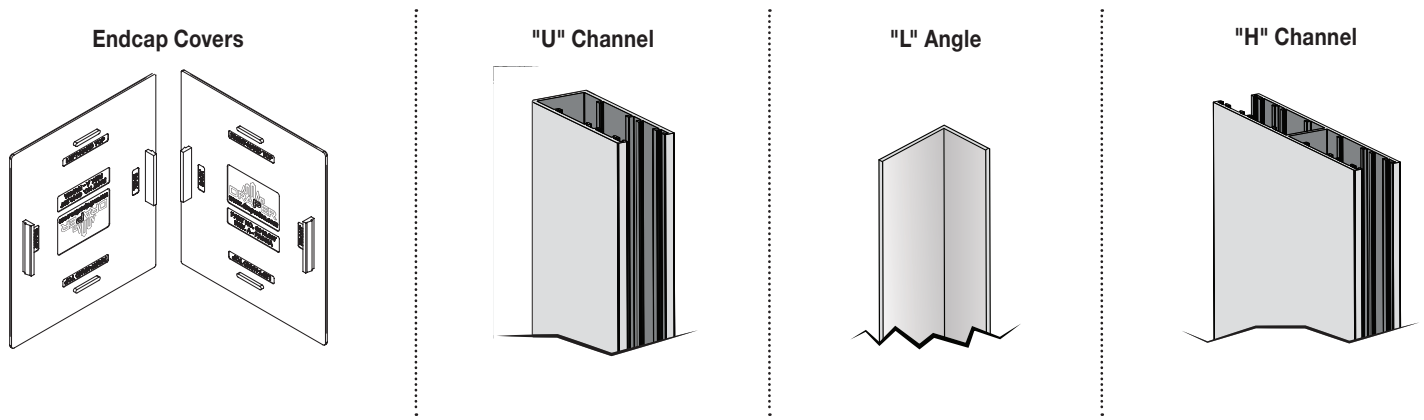
Closure & Wall Clip Options

Closure Options



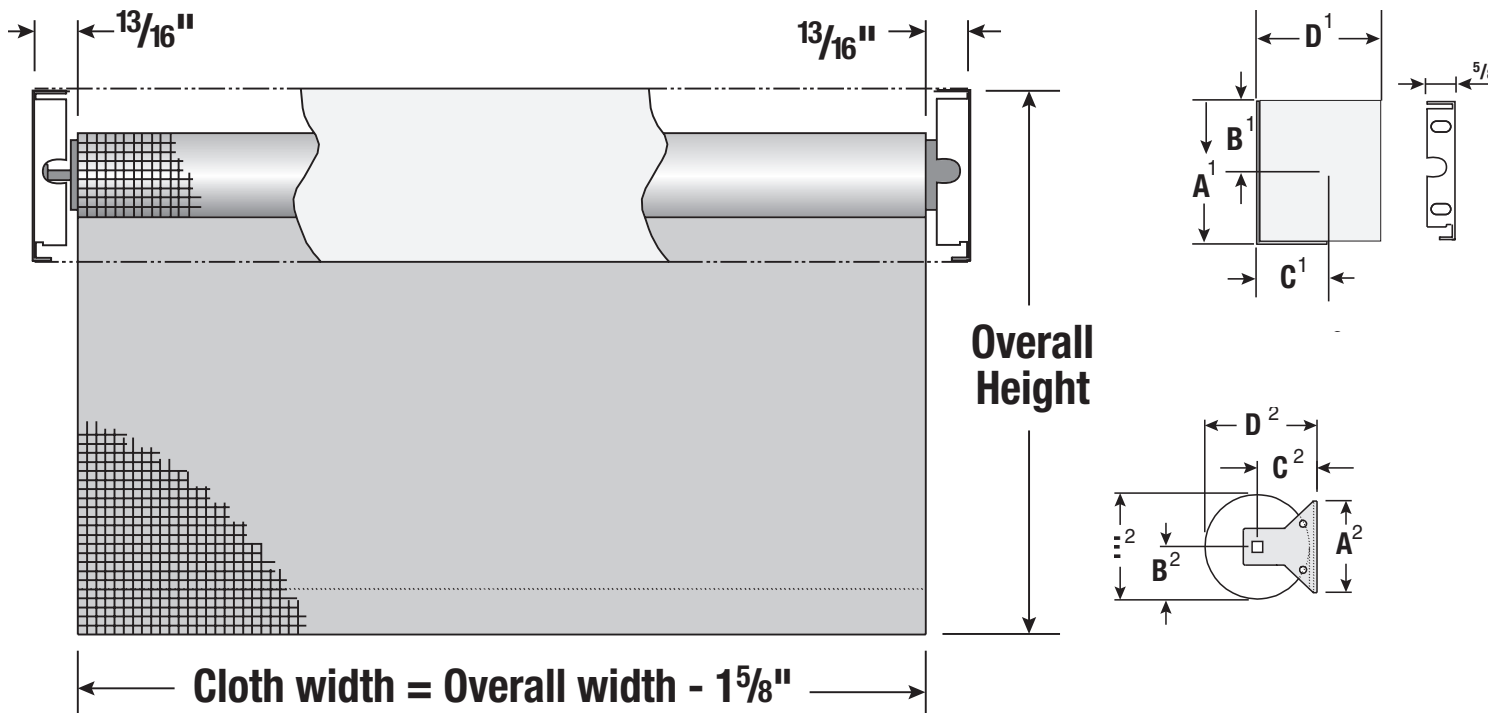
Wall Clip Options





Motorized FlexShade Dimensions

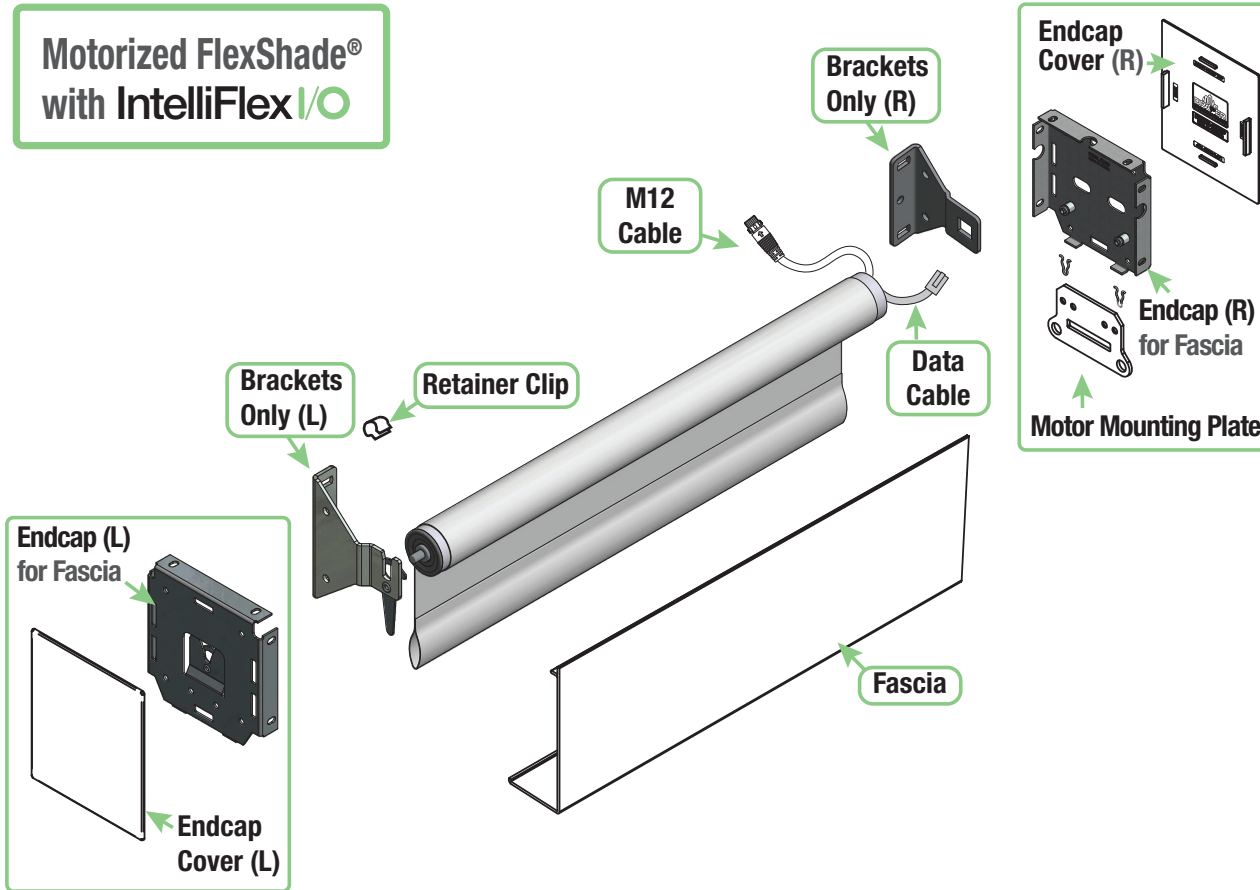
Fascia Overall Width includes plastic endcap covers. Pair adds 1/8" (3mm) to Overall Width of Small Hardware; 3/16" (5mm) to Overall Width of Large Hardware).



HEADBOX WITH ENDCAPS*					ENDCAPS WITH FASCIA					BRACKETS				
	SMALL		LARGE			SMALL		LARGE			SMALL		LARGE	
A ¹	3 ¹⁵ / ₁₆ "	100mm	4 ¹¹ / ₁₆ "	119mm	A ¹	3 ⁷ / ₈ "	98mm	4 ⁵ / ₈ "	117mm	A ²	2 ¹ / ₂ "	64mm	3 ¹ / ₄ "	83mm
B ¹	3 ⁷ / ₁₆ "	87mm	4 ¹¹ / ₁₆ "	119mm	B ¹	3 ³ / ₈ "	86mm	4 ⁵ / ₈ "	117mm	B ²	2"	51mm	2 ⁵ / ₈ "	67mm
C ¹	1 ¹ / ₂ "	38mm	1 ⁵ / ₈ "	41mm	C ¹	1 ¹ / ₂ "	38mm	1 ⁵ / ₈ "	41mm	C ²	1 ⁵ / ₈ "	41mm	2 ¹ / ₄ "	57mm
D ¹	⁵ / ₈ "	16mm	⁵ / ₈ "	16mm	D ¹	⁵ / ₈ "	16mm	⁵ / ₈ "	16mm	D ²	2"	51mm	2 ⁵ / ₈ "	67mm
E ¹	¹ / ₁₆ "	1.6mm	³ / ₃₂ "	2.4mm	E ¹	¹ / ₁₆ "	1.6mm	³ / ₃₂ "	2.4mm	E ²	³ / ₄ "	20mm	³ / ₄ "	20mm

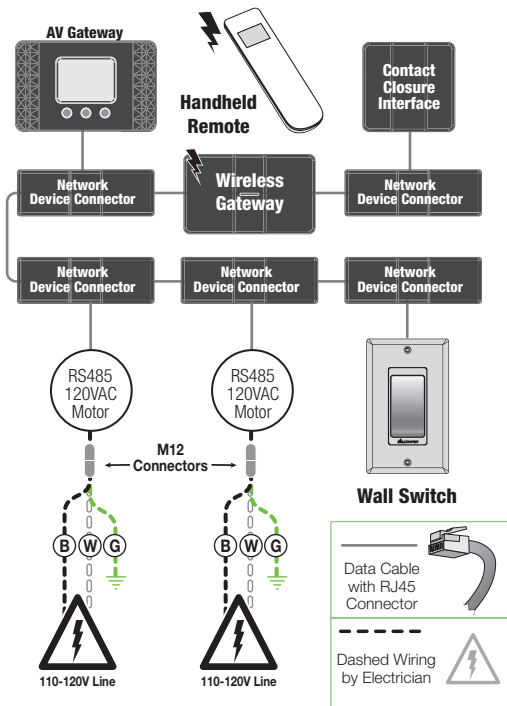
* For Fascia, Subtract 1/16" (1.6mm) from dimensions A and D

FlexShade Components

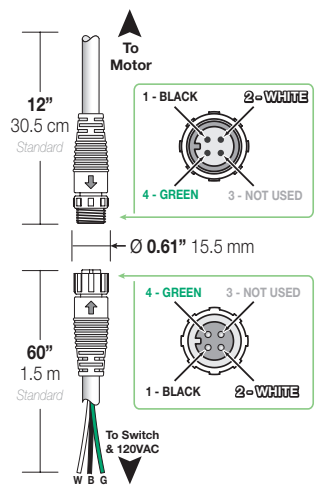


Wiring Diagrams

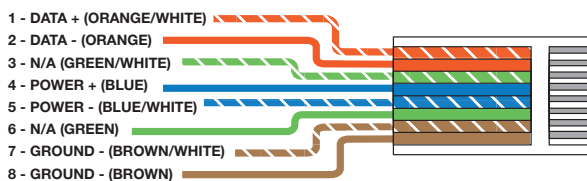
Controls & System Overview IntelliFlex I/O 120VAC Motors



M12 Connector for 3-Wire Motors



Data Cable Pin-Out - RJ45 Connector



Motor Data Cable Lengths

- 3' (91cm) (C107.105) Standard
- 6' (182cm) (C107.106)
- 12' (366cm) (C107.107)
- 25' (762cm) (C107.108)
- 50' (1524cm) (C107.109)