

# Installation Instructions

## Crank Exterior FlexShades - by Draper

### ⚠ Caution

- ① Inspect all boxes to make sure you have received the proper parts.
- ② Open cartons lengthwise.
- ③ All hardware must be installed level. Shades must be level and square.
- ④ Fasteners are not supplied by Draper. It is the responsibility of installer to make sure that appropriate ones for the mounting surface are used. For Jamb Mounting, Draper recommends the use of low profile head screws to allow the hembar to easily pass through the Side Channels.
- ⑤ For installing units in recessed areas where there isn't room to mount the Headbox to the Side Channels, please see note on page two.
- ⑥ Crank Exterior FlexShade is designed to operate only when the fabric panel is installed vertically, perpendicular to the ground. Angled installations, where the sidechannels are NOT installed vertically, may prevent the unit from closing.
- ⑦ DO NOT run down shade cloth outside of the Side Channels.
- ⑧ **Please read the following installation guidelines thoroughly and follow them carefully. Failure to do so may cause product to fall or otherwise fail, and invalidates warranty.**

### Preparation for Installation

- ① Make sure mounting surface is strong enough to hold the FlexShade.  
**Please Note:** It is the responsibility of installer to use appropriate fasteners for the mounting surface.

- ② Verify unit measurements, and make sure it will fit in the desired location.  
**Please Note:** The Hembar **does not** retract into the Headbox. This will need to be accounted for if mounting over a swinging window or door.

- ③ Mounting brackets MUST be installed with a gap of 1 3/4" (45mm) between the End Cap and the Mounting Bracket edge (See Fig. 1). Mark wall, jamb or ceiling.

- ④ Drill small starter holes (if necessary) in mounting surface.

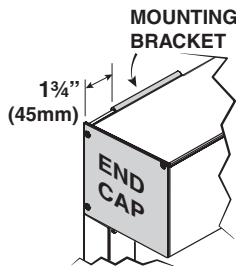
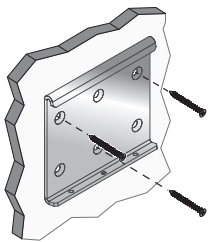


Figure (1)

### Mounting Headbox with Brackets - Wall Installation



#### Attaching Mounting Brackets

- ① Attach mounting brackets to the wall using #10 flat head screws installed flush with bracket. Be sure to use AT LEAST 2 of the top mounting holes (See Fig. 2).

Figure (2)

- ② Attach Headbox to brackets and tighten Set Screws (See Fig. 3).

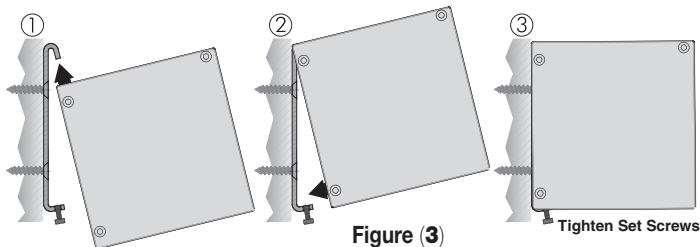


Figure (3)

- ③ You are now ready to mount the Side Channels (See Page 2).

# DRAPER

411 S. Pearl St., Spiceland, IN 47385 USA ■ 765-987-7999

www.draperinc.com ■ fax 765-987-7142

Copyright © 2017 Draper Inc.

Form Crank\_ExtFS\_Inst17-R

Printed in U.S.A.

### Mounting Headbox - Permanently to Ceiling or Wall

#### ① Attaching Mounting Brackets to Headbox

Attach **Mounting Brackets** to the Headbox as a spacer between the Headbox and the wall.

Leave a 1 3/4" (45mm) gap between **End Cap** and **Mounting Bracket** (See Fig. 4), and tighten set screws.

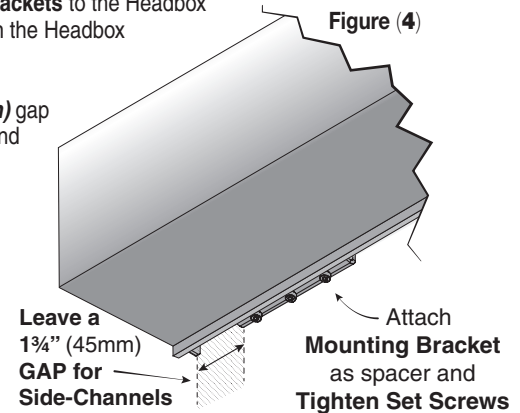


Figure (4)

#### ② Removing Roller Assembly

A. Remove screws from bottom of Headbox, remove Fascia and set aside.

B. Remove Quick Release Pin from Idler End of Roller Assembly.

C. Remove Roller Assembly, Idler End first, and set aside.

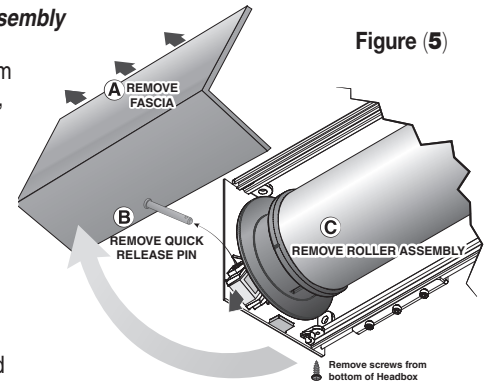


Figure (5)

#### ③ Mounting to Ceiling / Wall

Using the mounting holes in the end caps as a guide (See Fig. 6), drill pilot holes on both ends of the Headbox. Attach to mounting surface using appropriate fasteners.

**Please Note:** It is the responsibility of installer to use appropriate fasteners for the mounting surface.

- ④ Once the Headbox is secured to the mounting surface, re-install **Roller Assembly\***, **Quick Release Pin** and **Fascia**.

- ⑤ You are now ready to mount the Side Channels (See Page 2).

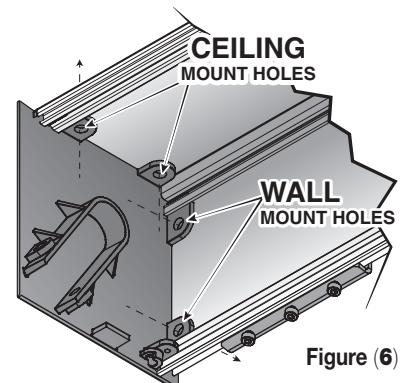


Figure (6)

Continued on next page

If you encounter any difficulties installing or servicing your Crank Exterior FlexShades, call your dealer or Draper, Inc. in Spiceland, Indiana, 765-987-7999, or fax 765-987-7142.

## For Exterior FlexShades with Cable Guides

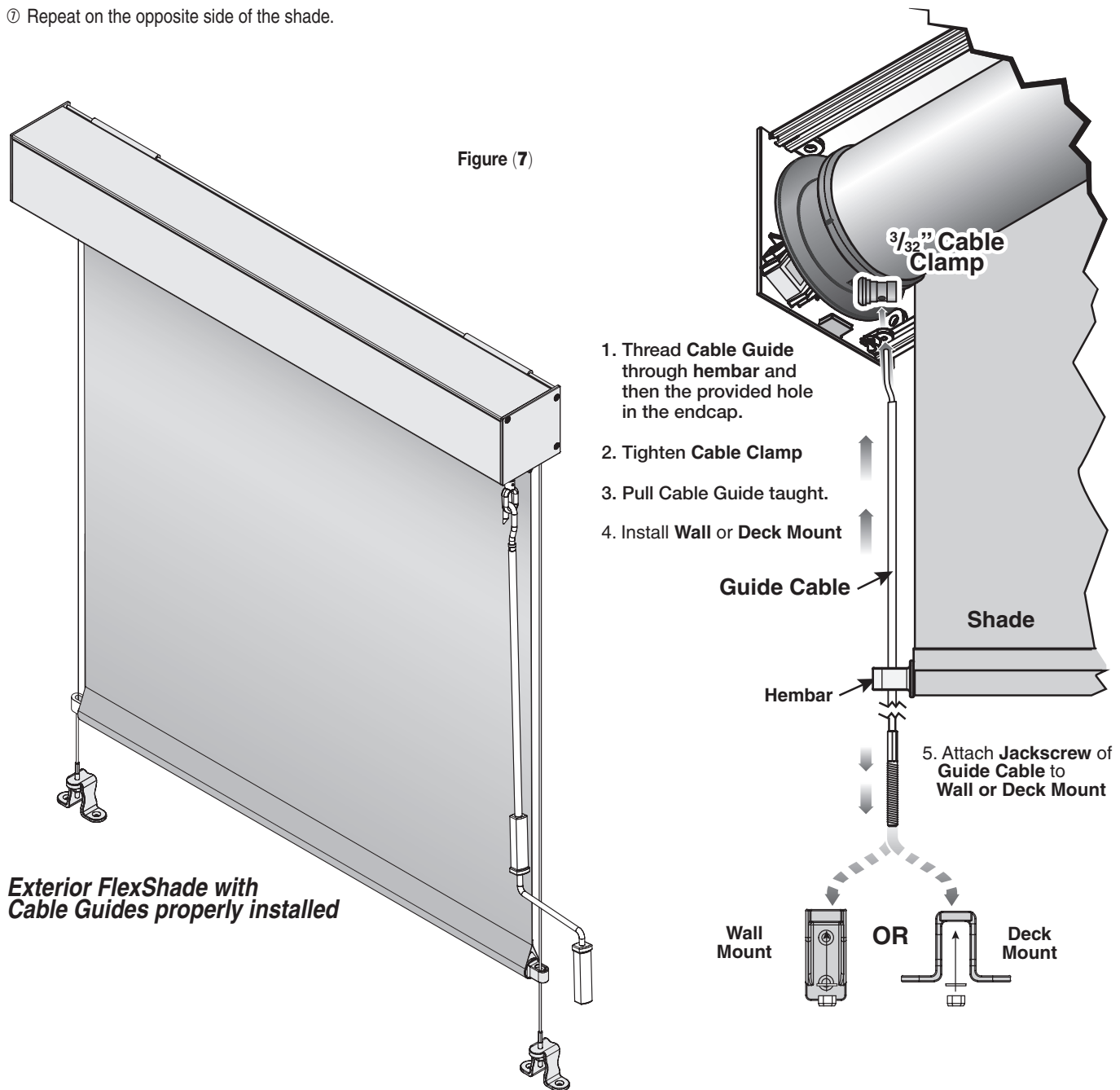
### Installing Cable Guides

Before Installing the Cable Guides, remove the Roller assembly from the Headbox. See **Removing Roller Assembly** section on Page 1.

- ① Thread Cable Guide through hembar and then the provided hole in the endcap. (see Figure 7).
- ② Tighten the Cable Clamp. It should rest on the endcap with no slack or kinks in the cable guide.
- ③ Pull the Cable Guide taught and parallel with edge of the fabric panel. Determine the location of the Wall or Deck Mount.
- ④ Attach Wall or Deck Mount to surface using appropriate hardware.
- ⑤ Insert the Jackscrew end of the Cable Guide into the Wall/Deck Mount. Tension to 8 in-lbs, so the shade will move up and down easily along the cable.

**Please Note:** Depending on the height of the shade, you may need to adjust where the Cable Clamp is located on the Cable Guide.

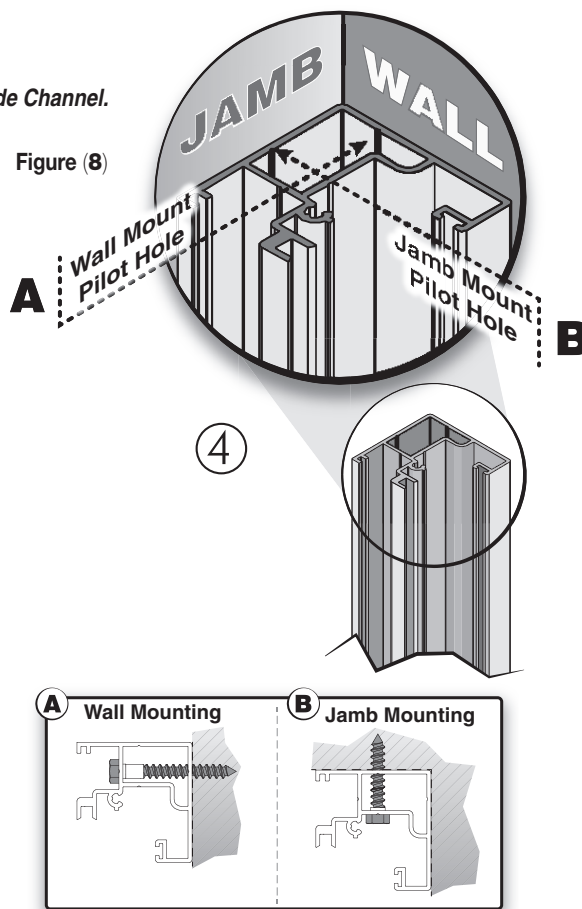
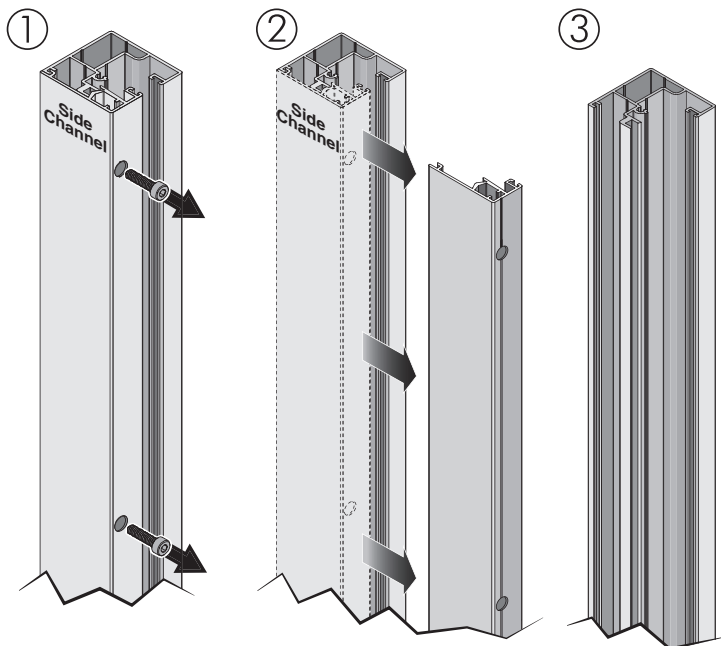
- ⑥ Cut off the excess Cable.
- ⑦ Repeat on the opposite side of the shade.



## For Exterior FlexShades with Side Channels

### Preparation

- ① Use 3mm Hex Wrench to remove Screws from Side Channel and set aside.
- ② Remove Side Channel Cover. **Please Note: Do NOT remove the Bottom Caps from Side Channel.**
- ③ For jamb mounting, also remove the Fabric Retainer Strip and set aside.
- ④ Drill through Side Channel at desired mounting points (See Fig. 8).
- ⑤ Mark wall or jamb and drill small pilot holes in mounting surface.



### Attaching Side Channel to Mounted Headbox

- ⑥ Insert Hem Bar into the Side Channel (See Fig. 9).

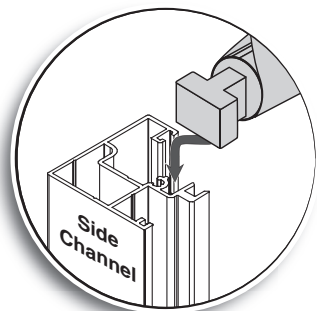
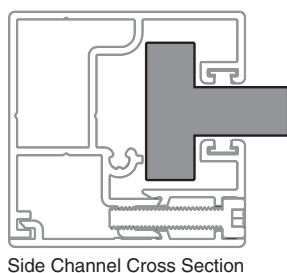


Figure (9)



Side Channel Cross Section

- ⑧ With Hembar engaged Side Channel, insert side channel guide into bottom of the endcap (See Fig. 11).

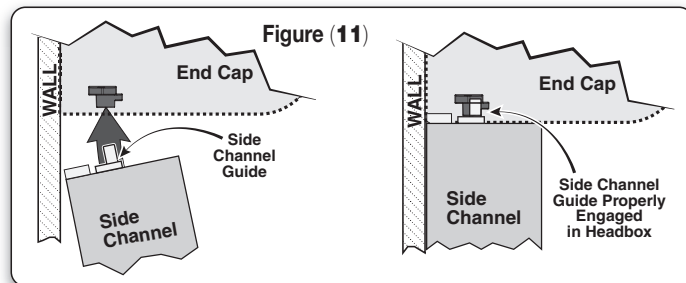


Figure (11)

- ⑦ Insert Side-Channel Guide Side Channels (See Fig. 10).

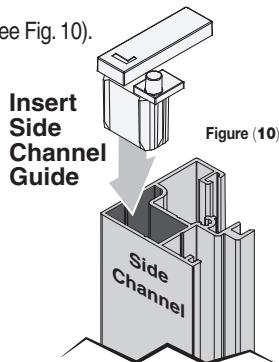


Figure (10)

- ⑨ Attach side channel to the mounting surface using appropriate fasteners.
- ⑩ Re-attach Side Channel Cover using the screws removed in Step 1.

**Please Note:**  
Failure to use provided fasteners to re-attach side channel cover may result in product failure in high wind.

### Attaching Anti-Insect Brush Seals (Optional)

The Crank Exterior FlexShades has optional Anti-Insect Brush Seals pre-installed along the width of the fascia. There are also brush seals supplied for each of the side channels that will need to be installed. Remove the double-sided tape and apply to the side channels as shown at right (Fig. 12).

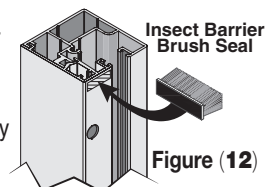


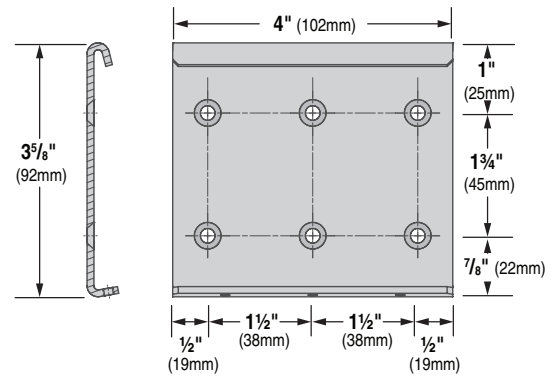
Figure (12)

## Cleaning and Maintenance

Window covering products manufactured by Draper, when properly installed, should require no operational maintenance or lubrication.

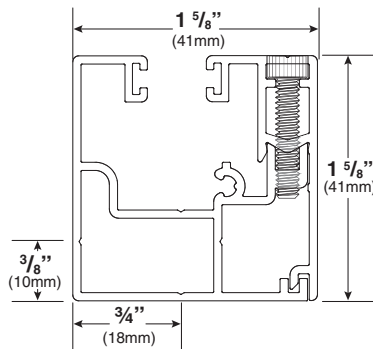
Most of Draper's standard fabrics may be cleaned at the window by vacuuming with a soft brush attachment. They may also be cleaned by using a sponge or soft cloth and mild solution of warm soapy water. A dishwashing liquid, such as Ivory liquid, is recommended. A clean dry cloth is recommended for the metal finish.

## Mounting Bracket

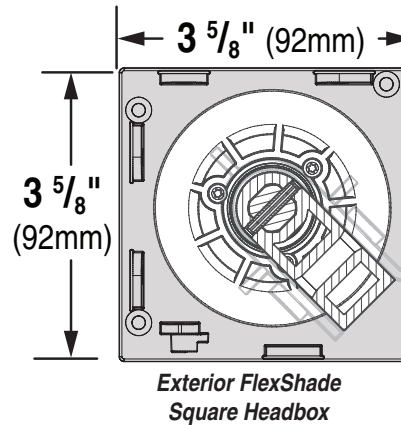


NOTE: Mounting brackets attach to surface with #10 Flat Head Screw

## Side Channel Dimensions



## Headbox



Exterior FlexShade Square Headbox

## Assembled Dimensions (Front View)

