

4

3

2

1

B

B

A

A

EXTERIOR FLEXSHADE CL BRACKETS ONLY LAYOUT

EXTERIOR SLAT BAR W/ CABLE GUIDE INSERTS

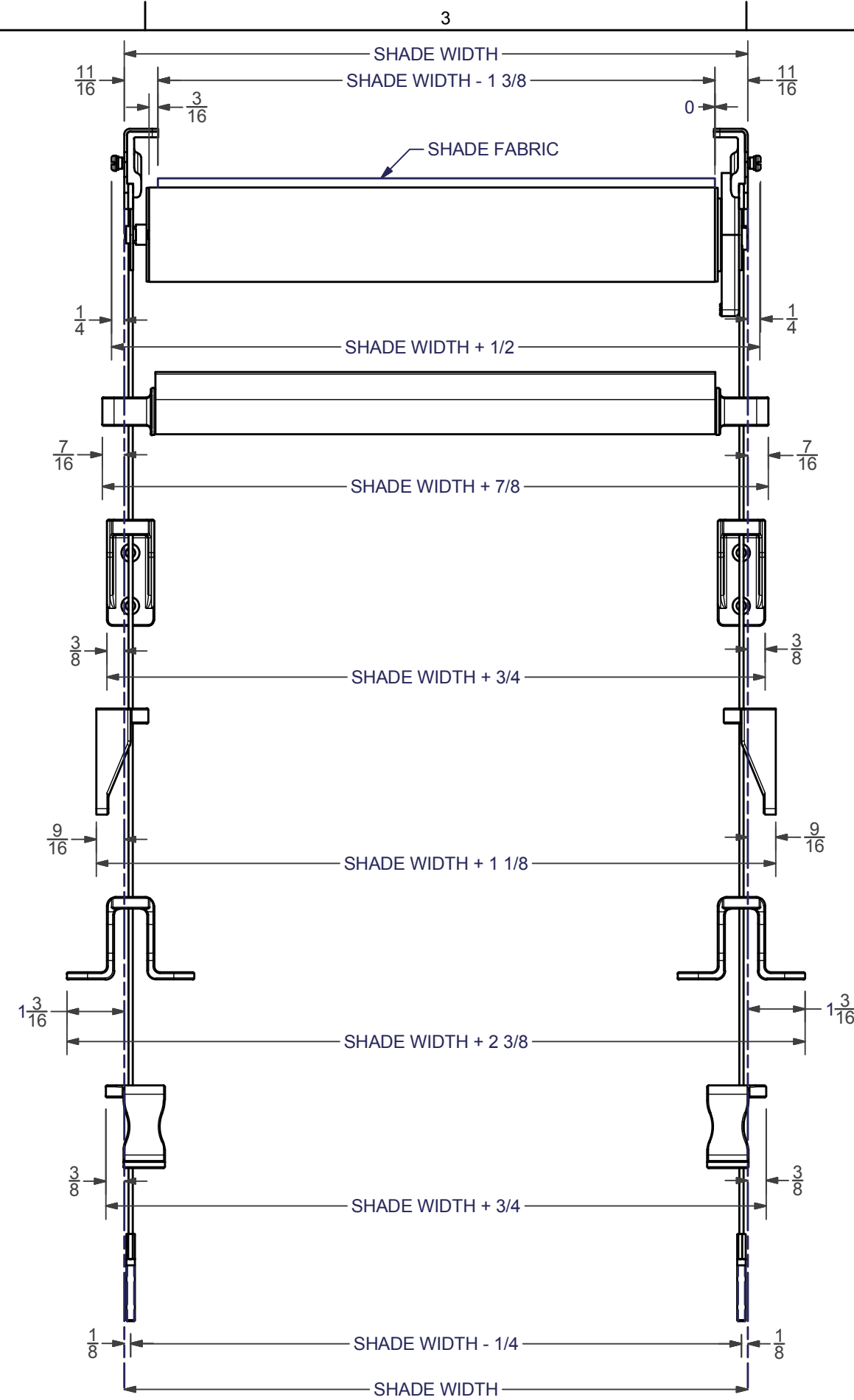
WALL MOUNT BRACKETS (WALL MOUNT)

WALL MOUNT BRACKETS (JAMB MOUNT)

DECK MOUNT BRACKETS (WIDTH MOUNT)

DECK MOUNT BRACKETS (NARROW MOUNT)

CABLE GUIDES (CENTERLINE DIMENSION)



TOLERANCES UNLESS NOTED 2 PLC. DECIMAL: ±.01" 3 PLC. DECIMAL: ±.005" ANGULAR: ±1° FRACTIONAL: ±1/32"	DESIGNED BY: hseib	7/6/2011
	DRAWN BY: hseib	7/6/2011
	CHECKED BY:	
	MFG APPD BY:	
	ENG APPD BY:	

DRAPER DRAPER, INC.
 411 S. PEARL STREET
 SPICELAND, INDIANA 47385-0425
 www.draperinc.com

TITLE: ASSY, EXTERIOR FLEXSHADE CL BRACKETS ONLY - 2" Alum. Tube

PROPRIETARY DRAWING NOTICE: THIS DOCUMENT CONTAINS CONFIDENTIAL, PROPRIETARY INFORMATION OF DRAPER, INC., IS THE PROPERTY OF DRAPER, INC., AND MUST BE RETURNED UPON REQUEST. NEITHER RECEIPT NOR POSSESSION THEREOF CONFERS ANY RIGHT TO OWN, REPRODUCE, USE, OR DISCLOSE IN WHOLE OR IN PART, ANY SUCH INFORMATION WITHOUT WRITTEN AUTHORIZATION FROM DRAPER, INC.

MATERIAL:	
PAPER SIZE: B	FINISH:
SCALE: 1:3	REV: SHEET: 1 OF: 1 DWG NO. - PART NO. EX-00001_M

REV	DATE	ECO	BY	DESCRIPTION
REVISION HISTORY				

4

3

2

1