

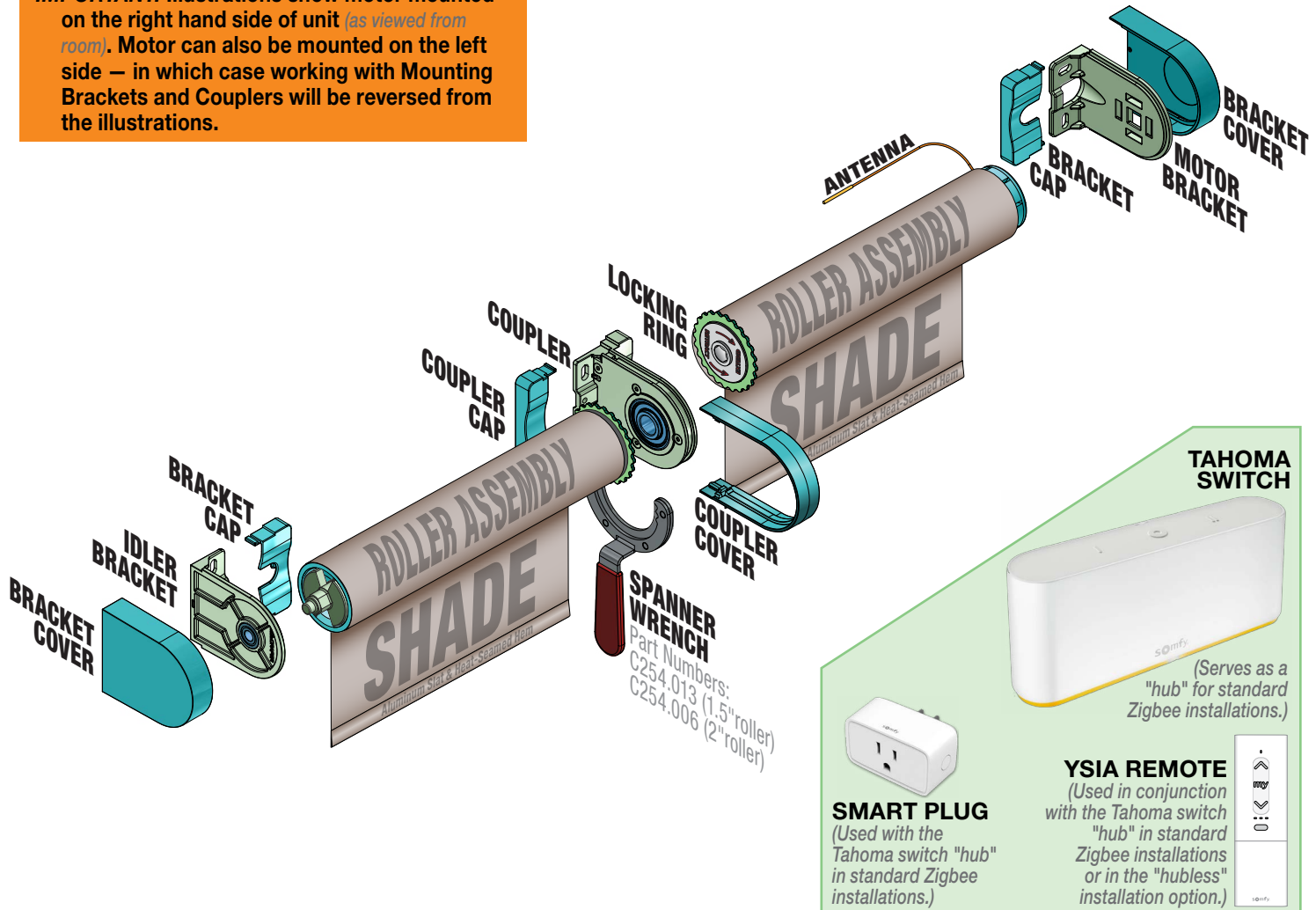
FlexStyle™ Battery Zigbee (Coupled)

Long-lasting, rechargeable battery for FlexStyle Coupled window shade

INSTRUCTIONS INSTALLATION & OPERATION

FLEXSTYLE C*BAZ Overview - Components

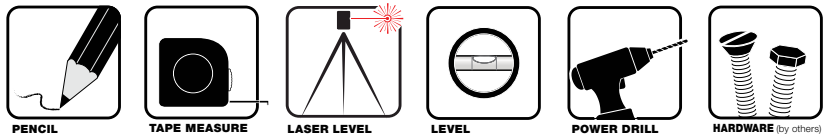
IMPORTANT: Illustrations show motor mounted on the right hand side of unit (as viewed from room). Motor can also be mounted on the left side — in which case working with Mounting Brackets and Couplers will be reversed from the illustrations.



⚠ CAUTION ⚠

Read and understand all warnings before beginning installation.
(Page 2 of this document)

TOOLS REQUIRED



Contents

Overview - Components.....	1	Section 4 - Mounting Roller Assemblies, Couplers, and Brackets.....	4
PLEASE READ - TaHoma® Pro Application.....	1	Section 5 - Fabric/Roller Assembly Alignment	6
PLEASE READ - Important Safety & Installation Information	2	Section 6 - Bracket & Coupler Covers	7
PLEASE READ - Field Adjustments, Cleaning and Maintenance.....	2	Section 7 - Removing Bracket Covers.....	7
Section 1 - Operating the Retractable Coupler Shaft.....	3	Section 8 - Programming Somfy Wire-Free Zigbee®	8
Section 2 - Brackets and Couplers	3	Section 9 - Bracket & Coupler Dimensions	9
Section 3 - Charging Battery.....	3	Section 10 - Coupled Shades Dimensions	10

If you have any difficulties installing or servicing your FlexStyle™ Battery (Coupled), call your dealer or Draper, Inc.

PLEASE READ - Important Installation Information

⚠ Caution:

1. Inspect all boxes to make sure you have received the proper shades and parts. Controls may be shipped separately, or in same carton as shades.
2. Open cartons lengthwise, taking care not to cut into cardboard shipping container.
3. Before mounting shades, verify measurements on label provided with shade, and ensure unit is installed at correct width.
4. All hardware must be installed level. Shades must be level and square.
5. **Read the following installation guidelines thoroughly and follow them carefully. Failure to do so may cause product to fall or otherwise fail, and invalidates warranty.**
6. **Installer is responsible for selecting mounting hardware appropriate for site conditions.**

PLEASE READ - Safety Information

Important Safety Information



WARNING

Important Safety Information

Improper installation and use of the Motorized FlexStyle™ (Coupled) can result in serious injury or death. Primarily, injuries can occur if the unit falls due to imprecise installation, mishandling of the unit during installation, or installation on an insufficient wall or ceiling structure. Please use extreme care.

1. Please read the following installation guidelines thoroughly and follow them carefully. Failure to do so may cause product to fall or otherwise fail, and could result in serious injury.
2. Installation and calibration of the unit should only be performed by an authorized, qualified, and experienced professional. In particular, electrical work and wiring [indicated in diagram by dashed lines] must be completed only by a qualified professional electrician who has read this manual completely and is familiar with the construction and operation of this equipment and the hazards involved.
3. Do not affix the unit to wall or ceilings that have inadequate strength to permanently hold the unit during use. It is the owner's and installer's responsibility to confirm the wall or ceiling to which the unit attaches is sufficient to permanently hold the weight and stress loads of the unit at all times. Draper®, Inc., is not responsible for improper installation, application, testing, or workmanship related to the product at place of installation.
4. It is the installer's responsibility to make sure appropriate fasteners are used for mounting.
5. All hardware must be installed level. Unit must be level and square.
6. Never leave the area while operating the unit during installation, maintenance, or normal operation, unless it is secure and safe.
7. Before testing or operation, carefully inspect the entire area and path of the shade and areas underneath the shade to be sure no persons or objects are in the area.
8. During testing or operation, carefully watch the surrounding area for any potential safety concerns including nearby persons or objects.
9. After installation, the entire system, including all sensors, should be carefully tested to ensure safe and normal operation. Extreme care should be taken during testing to remain clear of moving parts to avoid possible injury.
10. Operation of unit should be performed only by authorized and qualified personnel, who have been trained in the safe and effective operation of the unit and understand its safety features.
11. The safety features of the unit, including sensors, should never be disabled, bypassed, or overridden. The system should not be operated until all safety features, including the sensors, are properly and completely installed, calibrated, and tested.
12. Unit may need to comply with local, state, or district rules and regulations, in particular when installed in schools. All applicable rules and regulations should be reviewed before installation and use.
13. Failure to precisely follow installation guidelines invalidates all warranties.
14. Custom products/installations may not be reflected in this manual. Call Draper, Inc., if you have questions about the installation of custom products or any questions about your installation.

Before Beginning Installation

1. Look for any job site conditions that could interfere with installation or operation of the system.
2. Read carefully and be sure to understand all installation instructions and all related operations manuals. These instructions are intended to serve as a guide for the installer and owner. They should be followed closely and combined with the expertise of experienced qualified installers. Draper, Inc., is not responsible for improper installation, application, testing, or workmanship related to the product at place of installation. Please retain all instructions for future use.
3. Open cartons lengthwise.
4. Locate and lay out all pieces.
5. Inspect all boxes to make sure you have received the proper shade and parts. Controls may be shipped separately, or in same carton as shade.
6. If you have any difficulties with installing, servicing, or operating your shade, call your dealer or Draper, Inc., 765-987-7999.

PLEASE READ - Field Adjustments

Each Draper Solar Control Shade is tested to ensure proper operation. Even with this testing, some field adjustments may be needed for telescoping.

If the shade is telescoping, place a piece of shimmed fabric into the fabric roll when the shade is deployed on the side that the fabric will be drawn toward. For example: if the fabric is tracking to the left, place the shimmed fabric on the right side.

PLEASE READ - Cleaning and Maintenance

Window covering products manufactured by Draper, when properly installed, should require no operational maintenance or lubrication.

Most standard Draper fabrics may be cleaned at the window by vacuuming with a soft brush attachment. They also may be cleaned by using a sponge or soft cloth and mild solution of warm soapy water. A mild dishwashing liquid is recommended. A clean dry cloth is recommended for the metal finish.

Please Note: Exceptions are GreenScreen Evolve®, GreenScreen Revive®, and Phifer® SW7000 fabrics, which must be cleaned with a dry art sponge.

(GreenScreen Revive® and GreenScreen Evolve® are registered trademarks of Mermet® USA. SheerWeave® is a registered trademark of Phifer® Incorporated.)

RECOMMENDED PERSONNEL

Please Note: Draper® recommends that a team of at least two (2) people install this product.

⚠ Caution: Before beginning installation, practice extending and retracting the coupler shaft in a fabric/roller assembly, following instructions in the "Operating the Retractable Coupler Shaft" section below.

⚠ Caution: All motors should be tested and limits set using test cord before electrician wires shade.

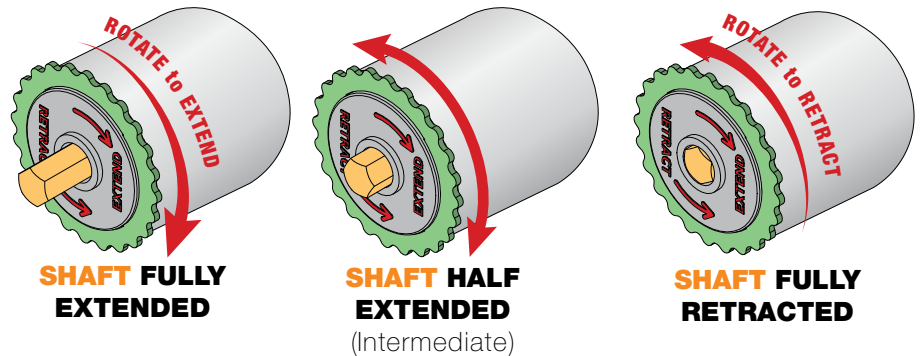
Section 1 - Operating the Retractable Coupler Shaft

Please Note: Custom products/installations may not be reflected by this document.

This shade utilizes a locking retractable shaft to hold roller assemblies in place and link panels together. The retractable coupler shaft has three distinct positions: fully extended, intermediate, and fully retracted.

1. To retract the coupler shaft from fully extended to the intermediate position, grasp the roller with one hand, while using the included Spanner Wrench to rotate the metal Locking Ring counterclockwise (as viewed facing the coupler assembly) approximately ½ of a turn with the other, leaving the shaft extended approximately ½" (13mm).
2. To retract the coupler shaft fully, rotate the metal Locking Ring counterclockwise (as viewed facing the coupler assembly) an additional ⅓ of a turn.
3. To lock shaft in place when extended, rotate metal Locking Ring clockwise ¼ turn.

Please Note: There is no retractable shaft in the idler end assembly on the idler end of the shade (furthest from the operator). This idler assembly utilizes a sliding pin and retainer clip.



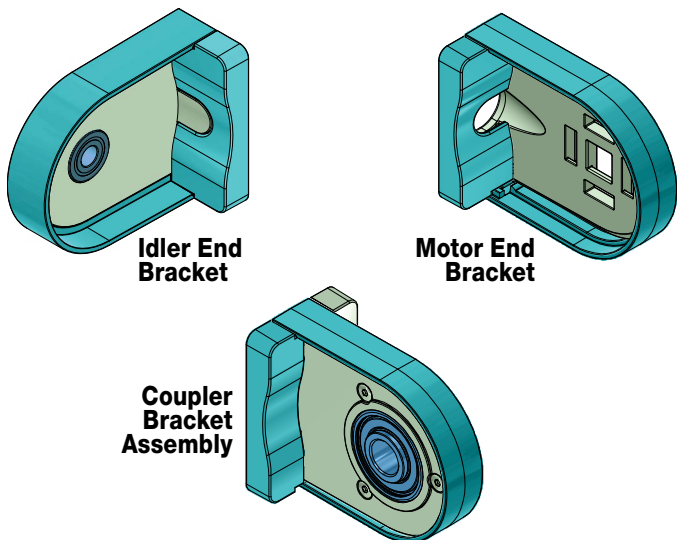
Please Note: These instruction steps are for installing brackets one at a time. Brackets may also all be installed at the same time, prior to installing roller/fabric assemblies. If brackets are installed first, be certain of measurements and locations. For best results, assemble the unit on a flat, clean surface. Verify measurements before attaching brackets.

Section 2 - Brackets and Couplers

Please Note: Installer is responsible for selecting mounting hardware appropriate for site conditions.

IMPORTANT: Illustrations show motor mounted on the right hand side of unit (as viewed from room). Motor can also be mounted on the left side — in which case working with Mounting Brackets and Couplers will be reversed from the illustrations.

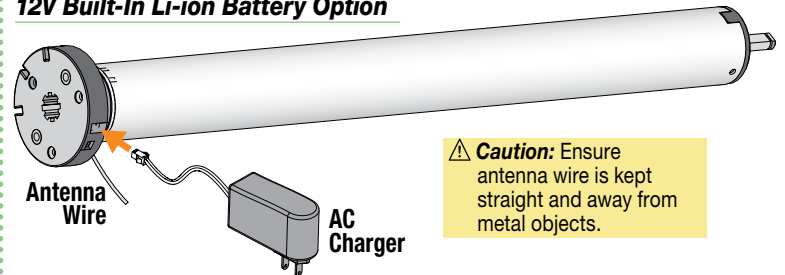
IMPORTANT: Mounting Brackets and Couplers must be installed parallel, plumb, and square, with a tolerance of +/- ⅛" (3mm). Verify unit measurements and ensure unit will fit in the desired location.



Section 3 - Charging Battery

Please Note: Bracket Cover must be removed for battery charging (Sec. 7, P.7)

12V Built-In Li-ion Battery Option



1. During operation, if voltage drops to less than 10V, motor will beep 10 times to indicate it needs to be charged.
2. Motor will stop running when voltage is lower than 7V and resume when voltage is greater than 7.5V.
3. Once battery has been depleted, motor must be charged for 6 hours using recommended AC charger.

External Battery Pack Option

1. Mount battery pack to wall using provided mounting clips.
2. Locate the battery pack to reach the motor without interfering with shade/roller operation.



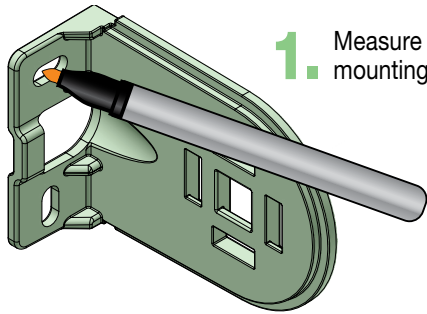
Please Note: If mounting the battery pack vertically, small plastic grips are provided to slide onto the battery pack and create a tighter fit in the bracket.

Section 4 - Mounting Roller Assemblies, Couplers, and Brackets

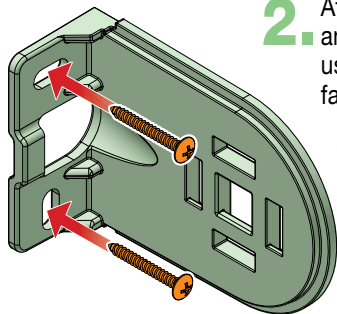
⚠ Caution: Before mounting shades, verify measurements on the card provided with the shade, and ensure the brackets are installed at the correct width.

IMPORTANT: Illustrations show motor mounted on the right hand side of unit (as viewed from room). Motor can also be mounted on the left side – in which case working with Mounting Brackets and Couplers will be reversed from the illustrations.

Please Note: Use measurements instead of shade rollers to determine placement.



1. Measure and mark mounting surface(s).



2. Attach motor bracket and couplers to surface using appropriate fasteners.

3. Attach motor end of roller to bracket and hold in place.

⚠ Caution: Ensure the motor end fabric/roller assembly's coupler shaft is **fully retracted** (see "Operating the Retractable Shaft").

Please Note: If cable does not fit through cutout, drill a hole near the bracket in a hidden location.

4. Slide the coupler onto the coupler shaft of the first fabric/roller assembly to be installed, and hold in place.

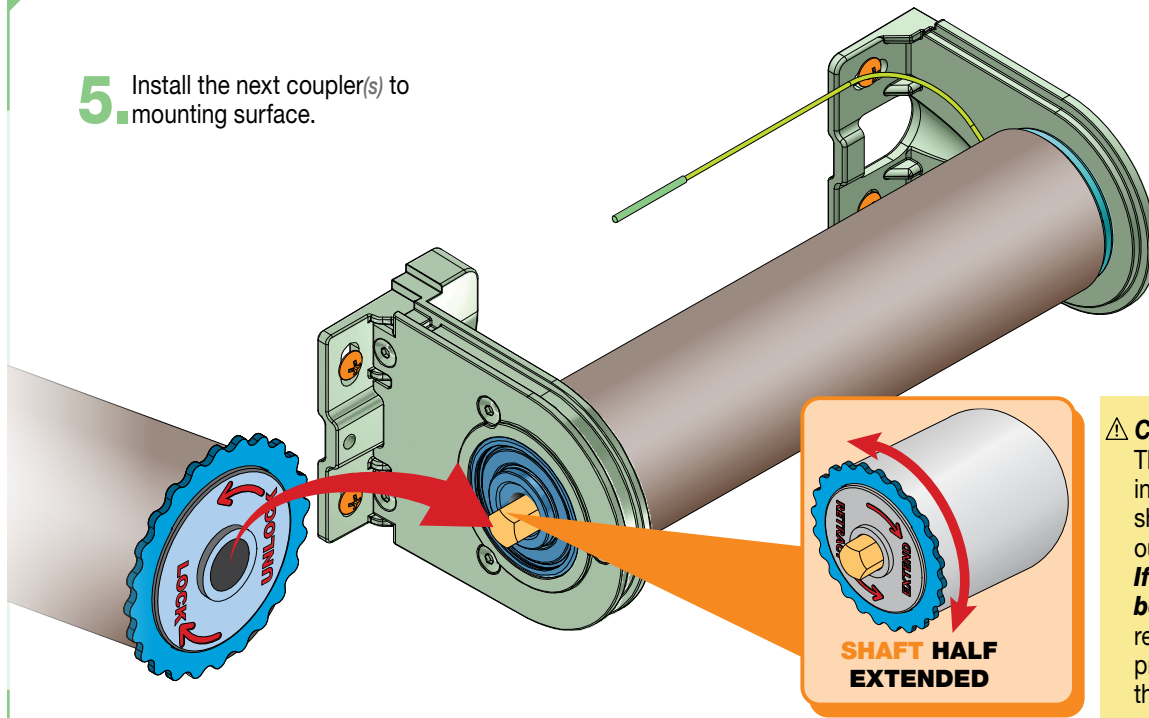
⚠ Caution: Ensure the motor end fabric/roller assembly's coupler shaft is **half extended**.

A

B

SHAFT HALF EXTENDED

5. Install the next coupler(s) to mounting surface.



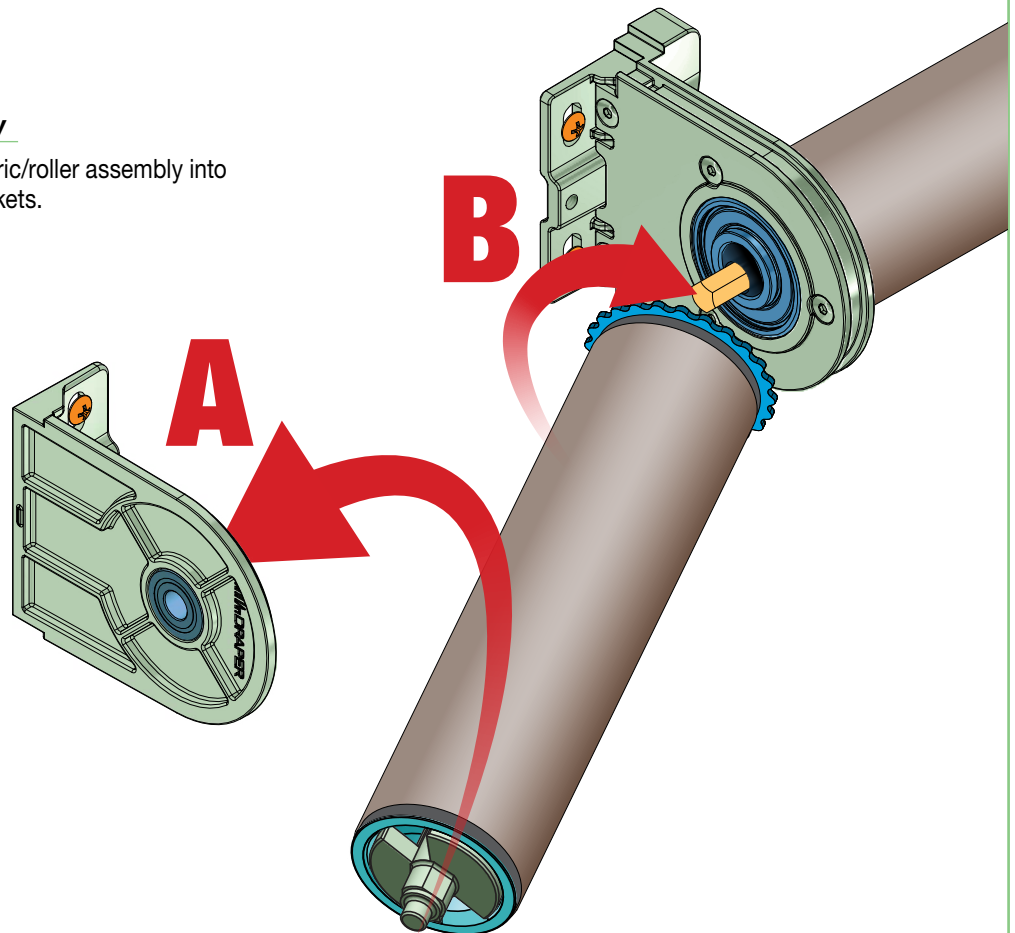
⚠ CAUTION:
The end of the previously-installed coupler shaft should be flush with the outside edge of the bearing. **If coupler shaft extends beyond the bearing,** retract coupler shaft of the previously installed roller to the half extended position.

Final (Idler-end) Fabric/Roller Assembly

6. Lift both ends of the idler-end fabric/roller assembly into place and align between the brackets.

A Installer #1 places the idler-end sliding shaft onto the idler-end.

B Installer #2 fully extends coupler shaft of previously installed roller by rotating the metal ring clockwise about 1/2 of a turn when viewing the face of the coupler assembly (see "Operating the Retractable Shaft" and Fig. 2), until the shaft extends fully into the receiver of the idler-end fabric/roller assembly.



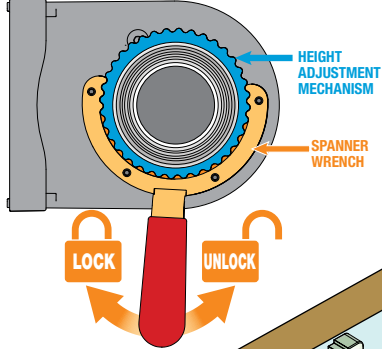
Section 5 - Fabric/Roller Assembly Alignment

Please Note: If needed, the fabric panel heights can be adjusted so that the bottom edges of the fabric panels are aligned. On large units, this procedure should be done on only one panel at a time to minimize the amount of fabric weight that must be supported during the adjustment procedure.

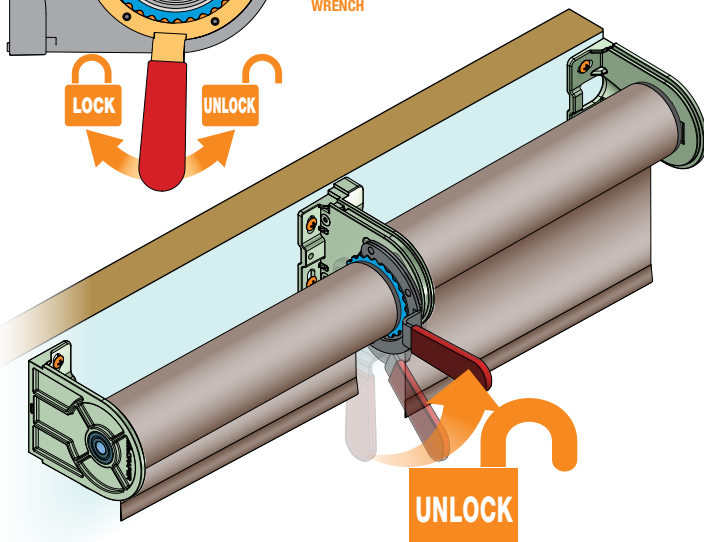
IMPORTANT: Illustrations show motor mounted on the right hand side of unit (as viewed from room). Motor can also be mounted on the left side – in which case working with Mounting Brackets and Couplers will be reversed from the illustrations.

1. Unlock height adjuster mechanism (or coupler shaft receiver) located at the motor end of fabric roller assembly that is being adjusted by rotating the metal ring approximately ¼ turn counterclockwise (when viewing the face of the coupler assembly).

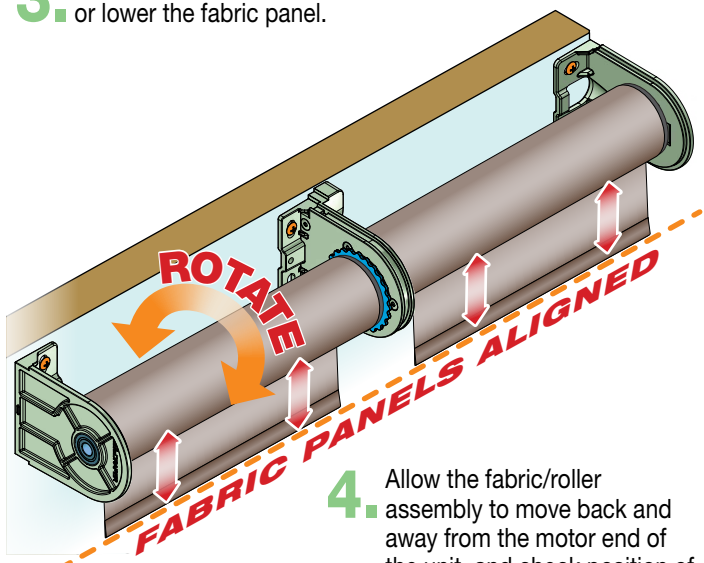
SPANNER WRENCH DETAIL COUPLER MOUNTED TO STRUCTURE



Please note: Do not use this procedure to adjust the motor end assembly. Use the limits to set the down travel of the motor end assembly.

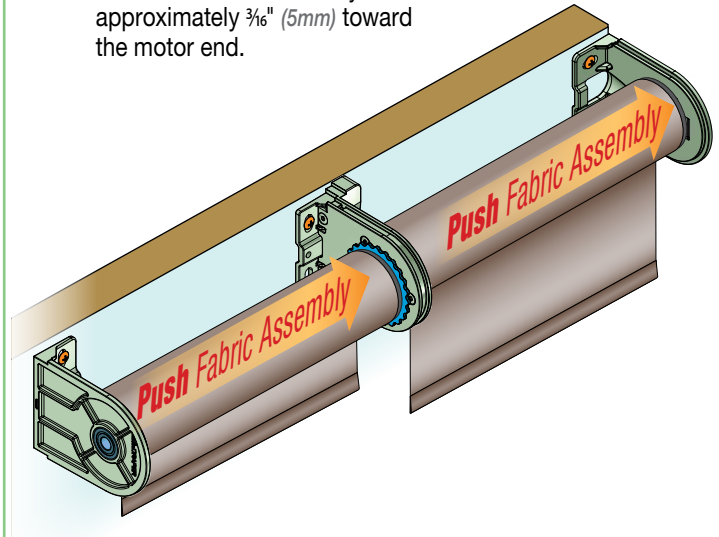


3. Rotate the fabric/roller assembly in either direction to raise or lower the fabric panel.

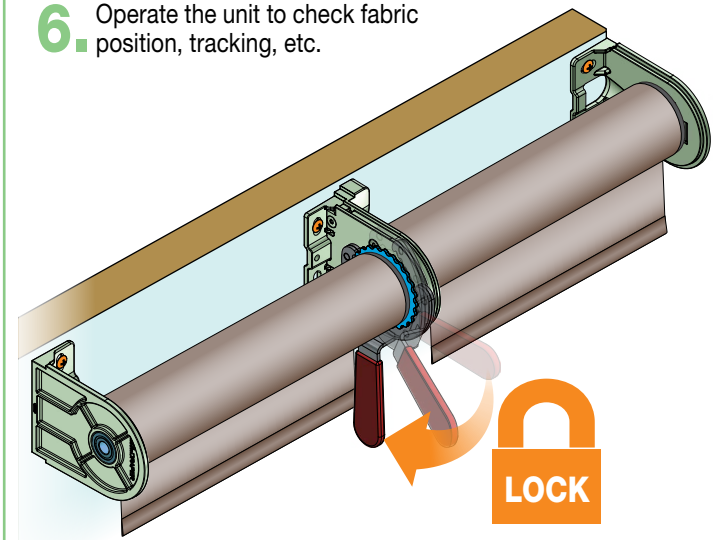


4. Allow the fabric/roller assembly to move back and away from the motor end of the unit, and check position of fabric panels.

2. Push the fabric/roller assembly approximately ⅜" (5mm) toward the motor end of the unit. The fabric/roller assembly will move approximately ⅜" (5mm) toward the motor end.



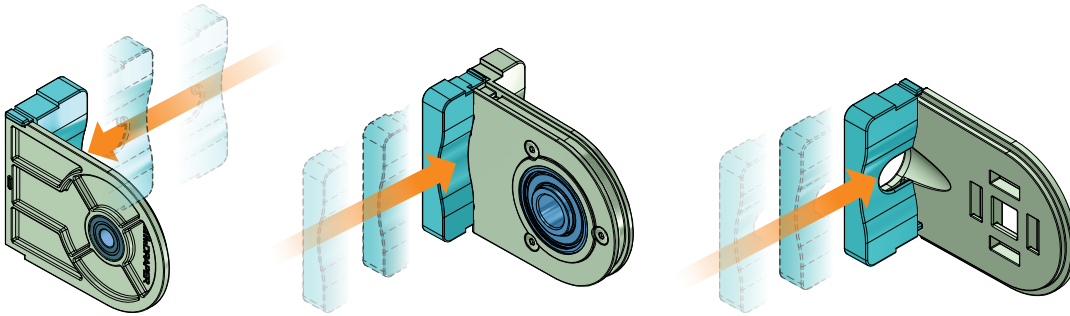
5. Tighten the locking ring by firmly rotating it approximately ¼ turn clockwise (reverse of step 1).
6. Operate the unit to check fabric position, tracking, etc.



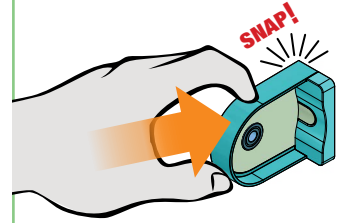
⚠ Caution: Locking ring on the idler-end coupler assembly **MUST BE** fully tightened following height adjustment. Wear a heavy glove to grip the locking ring. Tighten the locking ring until it is fully locked and will not rotate any further. Ensure that it will not loosen. If it cannot be tightened by hand, use a flat screwdriver or other tool to assist.

Section 6 - Bracket & Coupler Covers

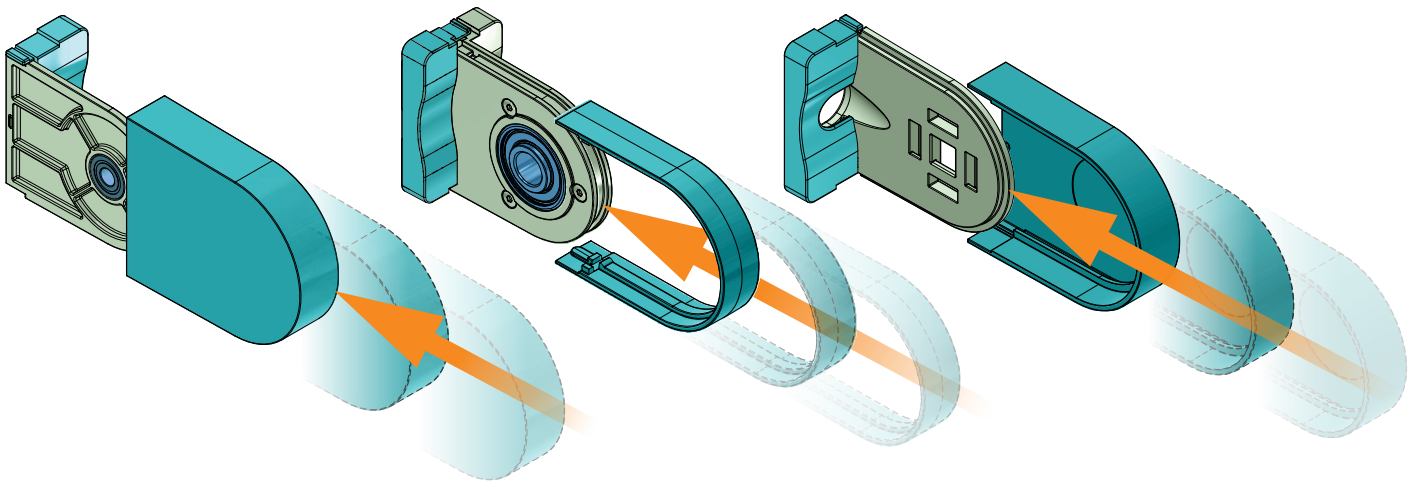
1. Slide Bracket Caps over Brackets and Couplers.



Please Note: Ensure that Bracket and Coupler Covers SNAP into place.



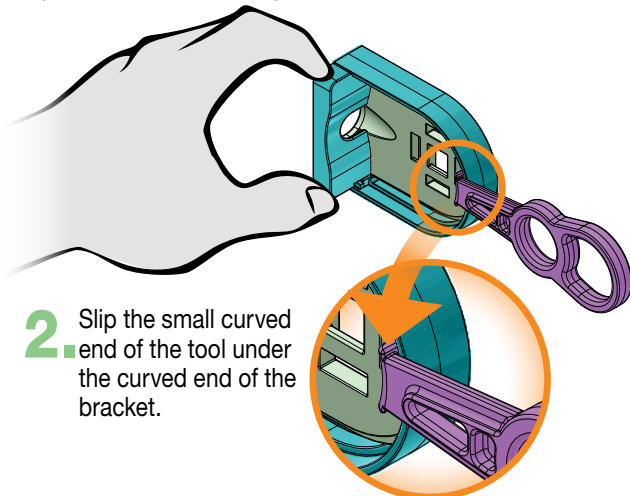
2. Slide Covers over Brackets and Couplers.



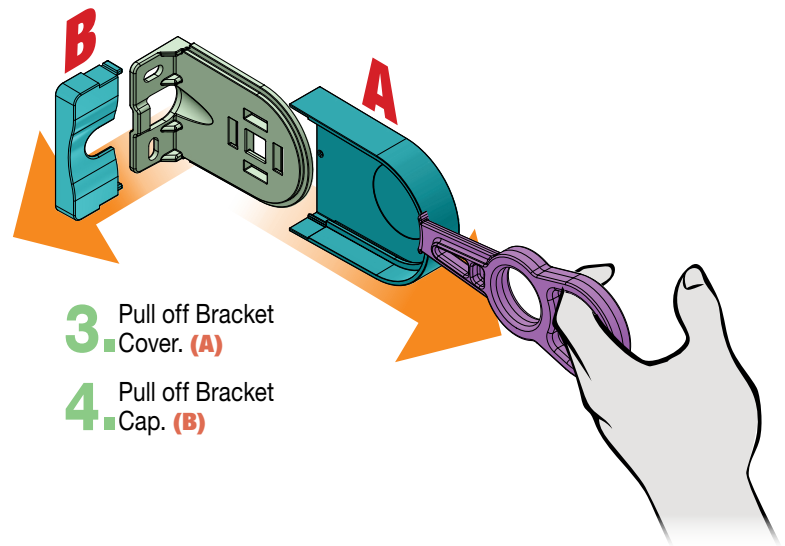
Section 7 - Removing Bracket Covers (Recommended - must be ordered separately.)

Please Note: The Cover Removal Tool (Part Number C202.053) is available to remove bracket cover for charging battery.

1. Grasp the flat end of the bracket. (Motor end bracket shown.)



2. Slip the small curved end of the tool under the curved end of the bracket.



3. Pull off Bracket Cover. (A)

4. Pull off Bracket Cap. (B)

Section 8 - Programming Somfy Wire-Free Zigbee®

IMPORTANT: Consult the [Zigbee Planning Sheet & Sales Guide](#) to help plan a Zigbee project.

IMPORTANT: Locate QR code on the shade cloth ticket to initiate your project. QR code can also be found on several other components, in case ticket is lost: Motor Antenna, Physical motor (*must remove motor from tube*), Shade Roller (*must unroll shade completely to locate*)

1. The Zigbee System is controlled in one of two ways:



A. The TaHoma switch, a wireless router "hub" with 2.4 Ghz support

Please Note: One (1) TaHoma switch is supported per Zigbee system.

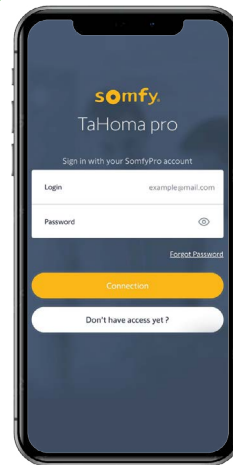


B. As a "hubless" system, using only Ysia remotes

Please Note: No integration is possible with this "hubless" option, and range is limited to roughly 35'.



2. Download the TaHoma Pro app from the Apple App Store or Google Play to a Bluetooth enabled device.



3. Scan QR code on the shade cloth ticket to initiate your project. QR code can also be found on several different components, in case ticket is lost:

- Shade Cloth Ticket
- Motor Antenna
- Physical motor
- Shade Roller

4. Follow the steps in the app to set up the TaHoma system.



5. End Users will utilize TaHoma North America, an app available for smart devices available on the Apple App Store or Google Play.



6. Program the Zigbee system, devices, and equipment.

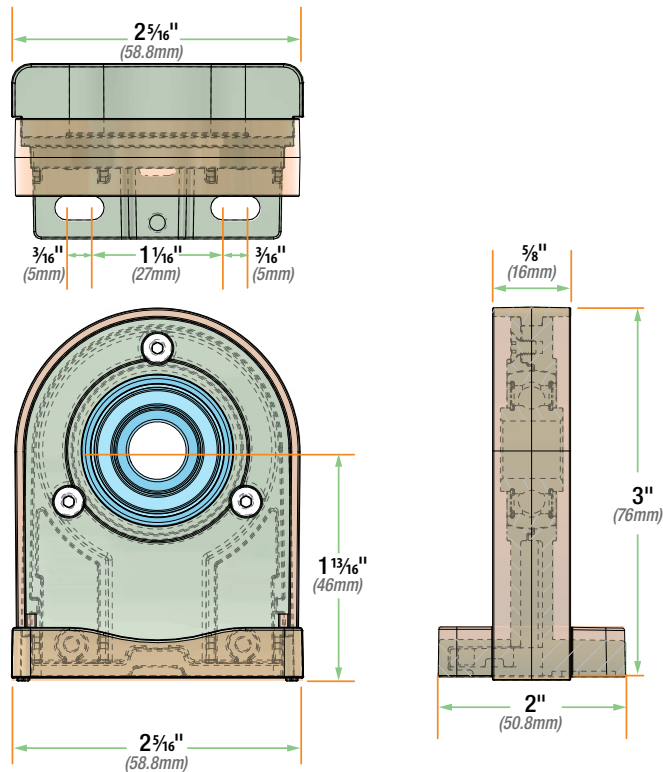
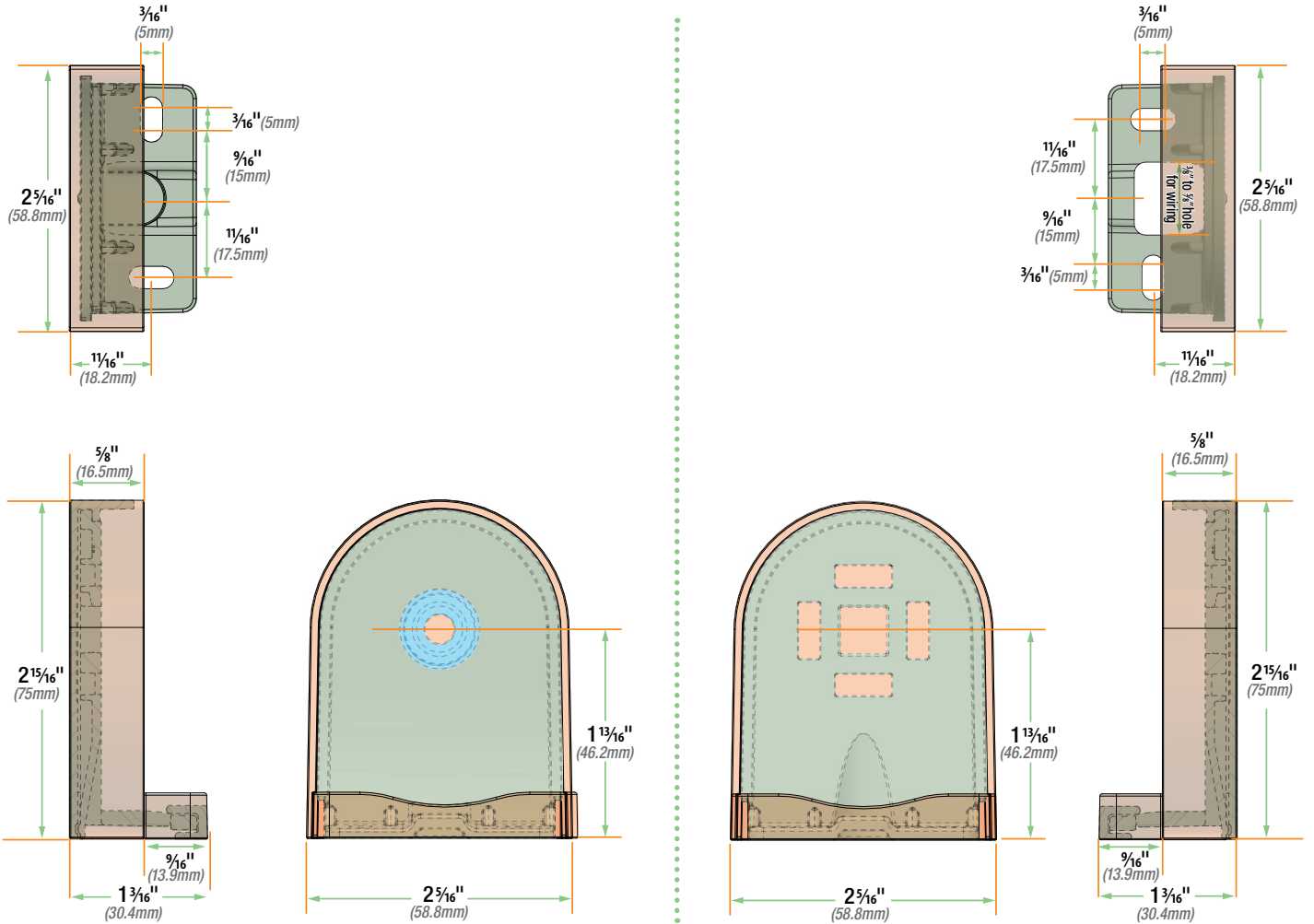


To program a TaHoma system, follow the steps in the app or download the [Somfy TaHoma Pro Programming Guide](#).

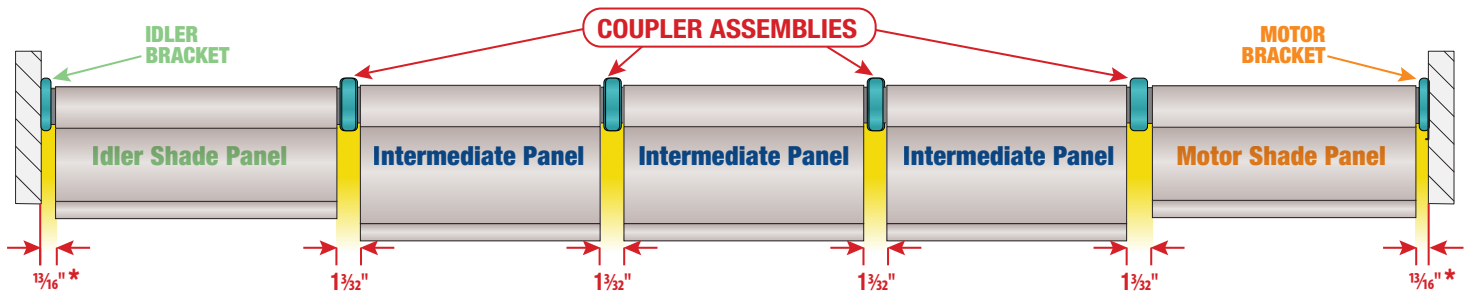


To program a Hubless or Standalone system, download the guide for [Zigbee Standalone Solution Using Ysia Remotes](#).

Section 9 - Bracket & Coupler Dimensions



Section 10 - Coupled Shades Dimensions



* This dimension may be larger, depending on motor selection. Contact Draper® for motor verification.