

Colossal FlexShade

Large Motorized Window Shade With Motor-In-Roller by



Specifications—Colossal FlexShade

_____ window shades, size _____ w. x _____ h., electrically operated 110-120V AC 60 Hz. 3-wire motor mounted inside shade roller, 2.5 amp draw, instantly reversible, lifetime lubricated, with internal thermal overload protector and mechanical brake. Motor mounted with sound-absorbing fixtures. Preset, accessible limit switches. **Right hand motor location standard**; left hand available. Optional J-box inside headbox accessible via 22 ga. steel cover plate. Entire roller and drive assembly easily removable through bottom of headbox. Roller to be 6" OD x 1/8" wall steel tube. Roller brackets to be painted white and to have double row radial ball bearings. Standard or reverse roll available. Fabric stays to be installed on all shades that exceed 16' in case length. Stays will be installed at each panel seam, and across the center of each panel when panel height exceeds 54". Slat shall be 1/2" OD steel tube with black polyethylene endcaps.

Headbox constructed of extruded aluminum. Bottom of headbox fully enclosed except for slot allowing fabric passage. Bottom closure panel shall be extruded aluminum, finished white, and may be removed manually for access to roller and drive unit. Closure panel shall be held in place by screw and bracket at each end of headbox. Aluminum endplates with integrated steel brackets for suspended mounting shall be fastened to extruded headbox with thread-cutting screws. Eyebolts shall be provided for use in hoisting shade. Headbox support brackets shall be welded steel channel, riveted to exterior of headbox. Headbox shall feature a deflection compensation system to minimize fullness caused by deflection in extremely wide units. U.S. Patent No. 6,873,461.

A variety of control options are available using Draper's IntelliFlex® Control System. See control system reference sheet and planning sheet for details.

Options:

Wall Mount Bracket Kit: Kit includes two structural steel brackets and hardware to attach brackets to headbox. Hardware for mounting to wall structure by others.

Endcap Ceiling Tile Flange Kit: Extruded aluminum, finished white. Attaches to endcaps. Each kit contains two (2) flange pieces and hardware for attaching trim flanges to endcaps.

Ceiling Tile Flange for Front of Case: 12' extruded aluminum, finished white. Attaches to front of headbox. Hardware for attachment to headbox included.

Downloadable 3-part specifications are available at www.draperinc.com.

Please Mark Appropriate Selections

Note Overall Opening Size: _____

Options and Accessories:

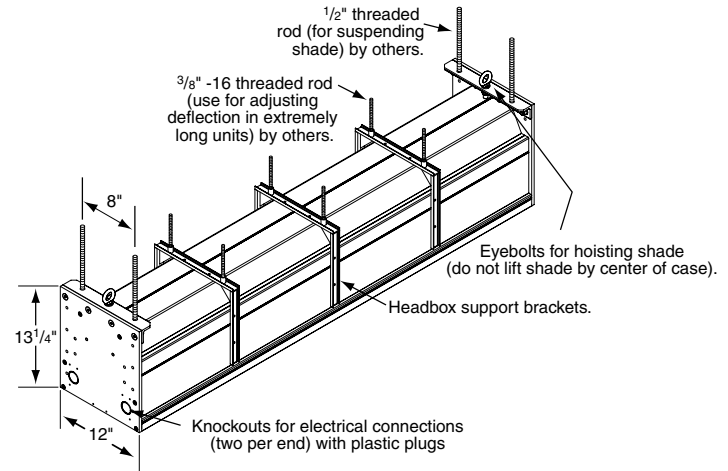
- Junction Box inside headbox
- Reverse Roll (Standard is fabric rolling from back of roller)
- Wall Mount Bracket Kit (Includes two brackets)
- Endcap Ceiling Tile Flange Kit (2 per kit)
- Ceiling Tile Flange for front and or rear of case (12' lengths)
How many 12' lengths do you need? _____

Motor Location:

- Right Hand (standard)
- Left Hand

Control Options:

- 110-120V Wall Switch for Single Shade Control
- Low Voltage and/or Multiple Shade Control: **Please see Draper's IntelliFlex Controls Reference Sheet and IntelliFlex® Control System Planning Sheet to design a control solution for this product. The forms are available at www.draperinc.com, or by contacting Draper.**



Select Fabric, Color and Openness:*

- Draper GreenScreen® Revive _____
- Draper SunBloc SB9000 _____
- Draper SunBloc SB9100 _____
- Ferrari Soltis 99® _____
- Mermet "E" Screen _____
- Mermet Flocké _____
- Mermet "M" Screen _____
- Mermet "S" Screen _____
- Mermet SilverScreen _____
- Mermet "T" Screen _____
- Mermet Terra _____
- Mermet Vela _____
- Mermet Vizela _____
- Phifer SheerWeave® Basic _____
- Phifer SheerWeave® Infinity _____
- Phifer SheerWeave® PW3500/4100/4400 _____
- Phifer SheerWeave® PW4500/4600 _____
- Phifer SheerWeave® PW4550/4650 _____
- Phifer SheerWeave® PW4800 _____
- Phifer SheerWeave® SW2000/2100 _____
- Phifer SheerWeave® SW2400/2500/2600/2900 _____
- Phifer SheerWeave® SW2701/2703/2705/2710 _____
- Phifer SheerWeave® SW3000 _____
- Phifer SheerWeave® SW5000 _____
- Phifer SheerWeave® SW7000 _____
- Phifer SheerWeave® SW7100 _____
- Phifer SheerWeave® SW7500 _____
- Rockland Roc-Rol _____

*Please see Draper's Shade Fabric Reference Sheet for fabric colors and specifications.



411 S. Pearl St., Spiceland, IN 47385 USA ■ 765-987-7999
www.draperinc.com ■ fax 765-987-7142

Copyright © 2015 Draper Inc. Form ColossalFlexShade_Sub15 Printed in U.S.A.

PROJECT: _____

ARCHITECT: _____

CONTRACTOR: _____

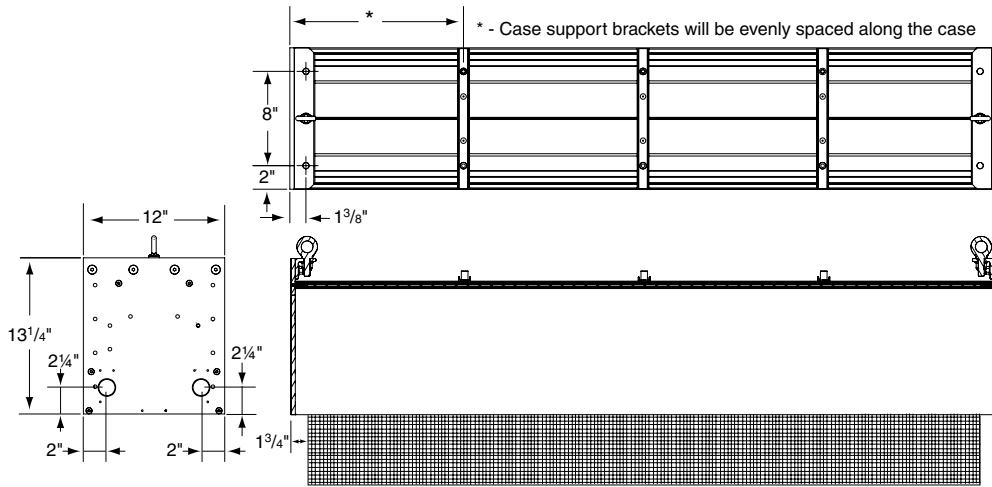
SUPPLIER: _____

DATE: _____ REVISED: _____

Case Dimensions*

Case Width	No. of Intermediate Brackets
< 96"	0
> 96" and < 180"	1
> 180" and < 240"	2
> 240" and < 346"	3

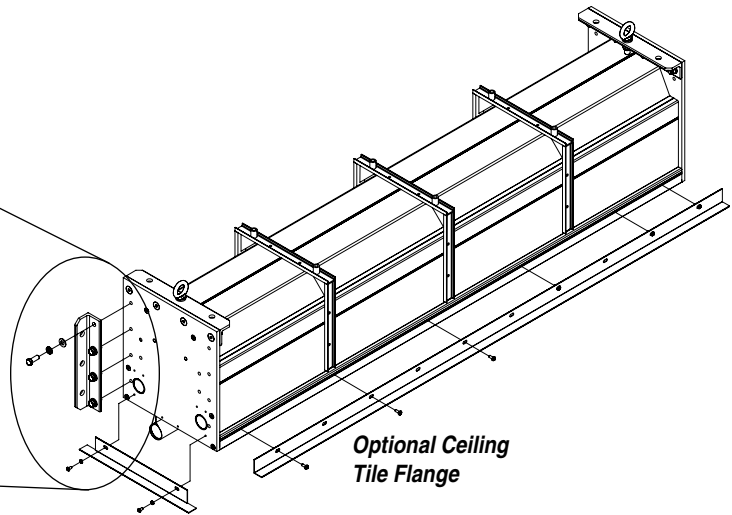
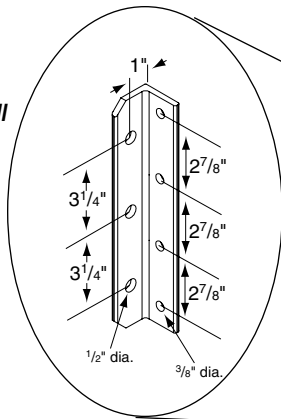
Brackets are equally spaced from each other and each end. For example, if the case length is 202", then each of the two brackets will be placed approximately 67.33" from each end (with 67.33" between them).



***Please Note:** Optional wall brackets add 1 3/4" per bracket to case length. Wall mounting bracket hole location is 1" from end of case.

Colossal FlexShade Options—Wall Mounting Bracket and Ceiling Trim Flange

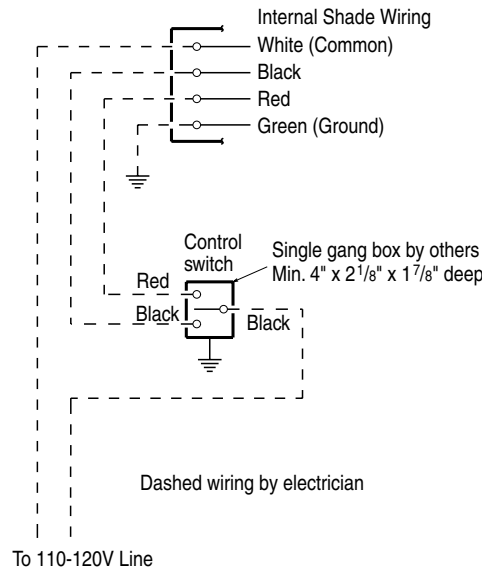
Optional Wall Mounting Bracket



Optional Ceiling Tile Flange

Wiring Diagram

For multiple shade or low voltage wiring consult diagrams provided with control.



NOTE: Test shade operation. If shade direction does not correspond with the switch orientation, turn power back off and switch the red and black wires from the motor to the switch.