

Overview

The 1MC is a single motor controller that can be used with motorized roller shades, Venetian blinds and louver systems. The 1MC can be used stand alone or part of a network. Even when networked, each 1MC can be independently operated and can be configured to respond to wall switches, RF remotes and signals from 3rd party systems. An on-board contact closure interface can be used as a local control for both networked and stand alone operation.

Features

- Robust RS-485 network with built in network termination
- On-board buttons for testing and configuring motors
- Pluggable terminal blocks for easier wiring
- On-board contact closure terminal connection for local control
- Comes packaged in a metal enclosure ready for installation



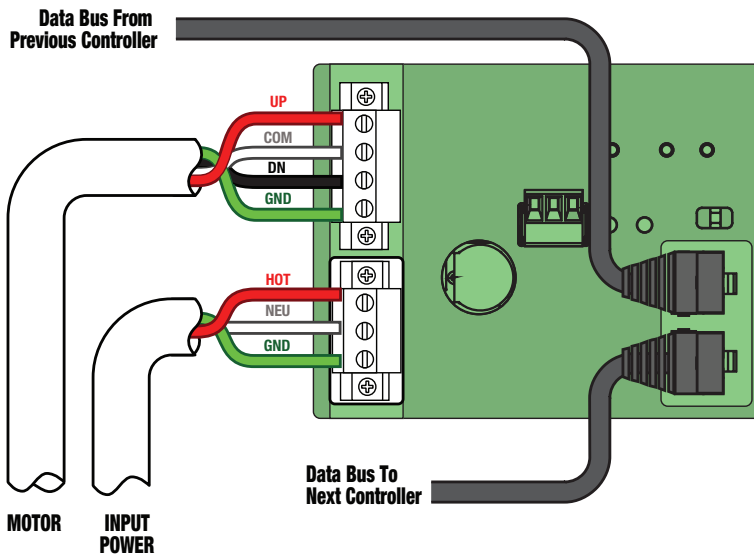
C156.285
1MC ONLY

C156.285SA
1MC With ENCLOSURE

Technical Specifications - Single Motor Controller

Input Power:	110-230VAC @ 50 / 60Hz	
Output Power:	Maximum 4A @ Input Voltage	
Fuse:	5x20mm 250V Slow Blow 125% of Load	
Material:	ABS plastic	
Operating Temp:	32 - 140 ° F	0 - 60° C
Dimensions:	2¾" x 3½" x 2 1⁄8"	70 x 90 x 54mm
Enclosure:	6" x 6" X 4"	152 x 152 x 102mm
Shipping Weight:	1 lb.	0.45 kg
Network Bus:	RS-485	

Indoor Use Only



For low voltage wiring requirements, Draper recommends consulting with a professional low voltage electrical contractor.

All low voltage wiring must be run separately from line voltage wiring.