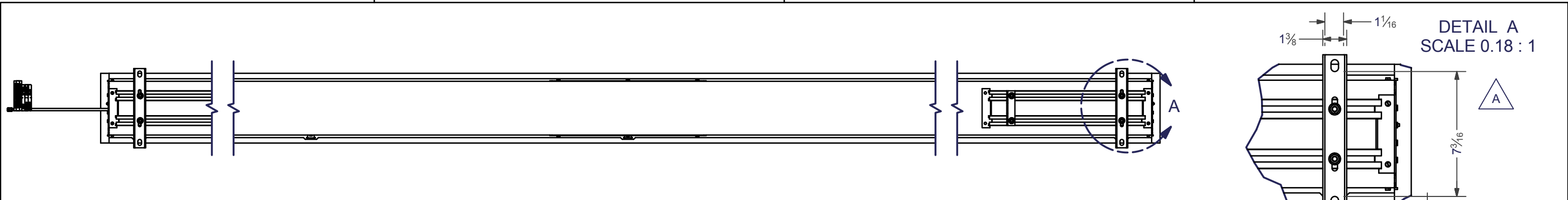


4

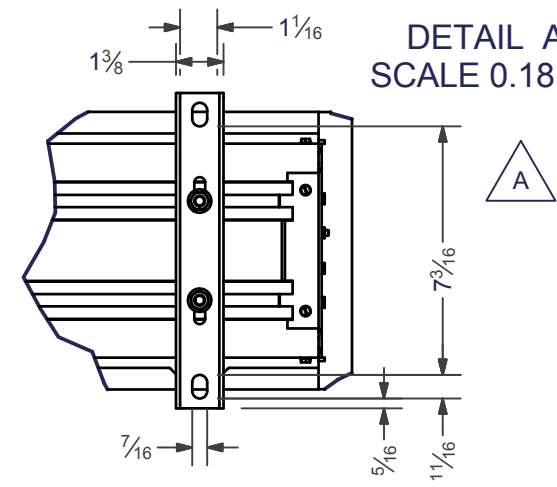
3

2

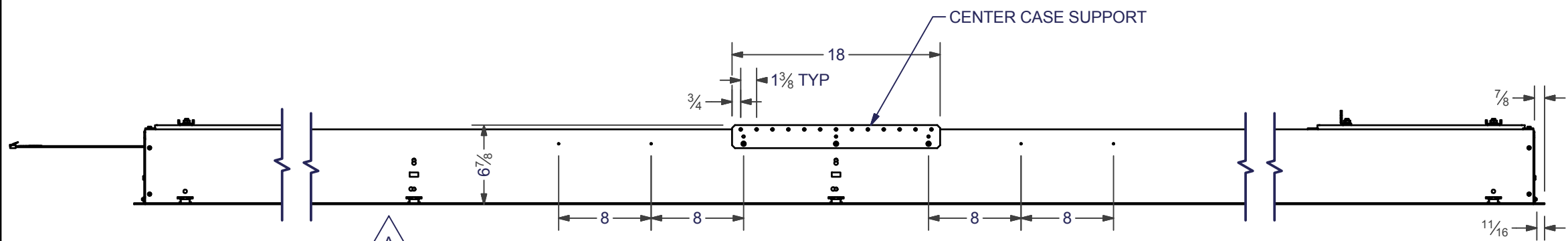
1



DETAIL A
SCALE 0.18 : 1

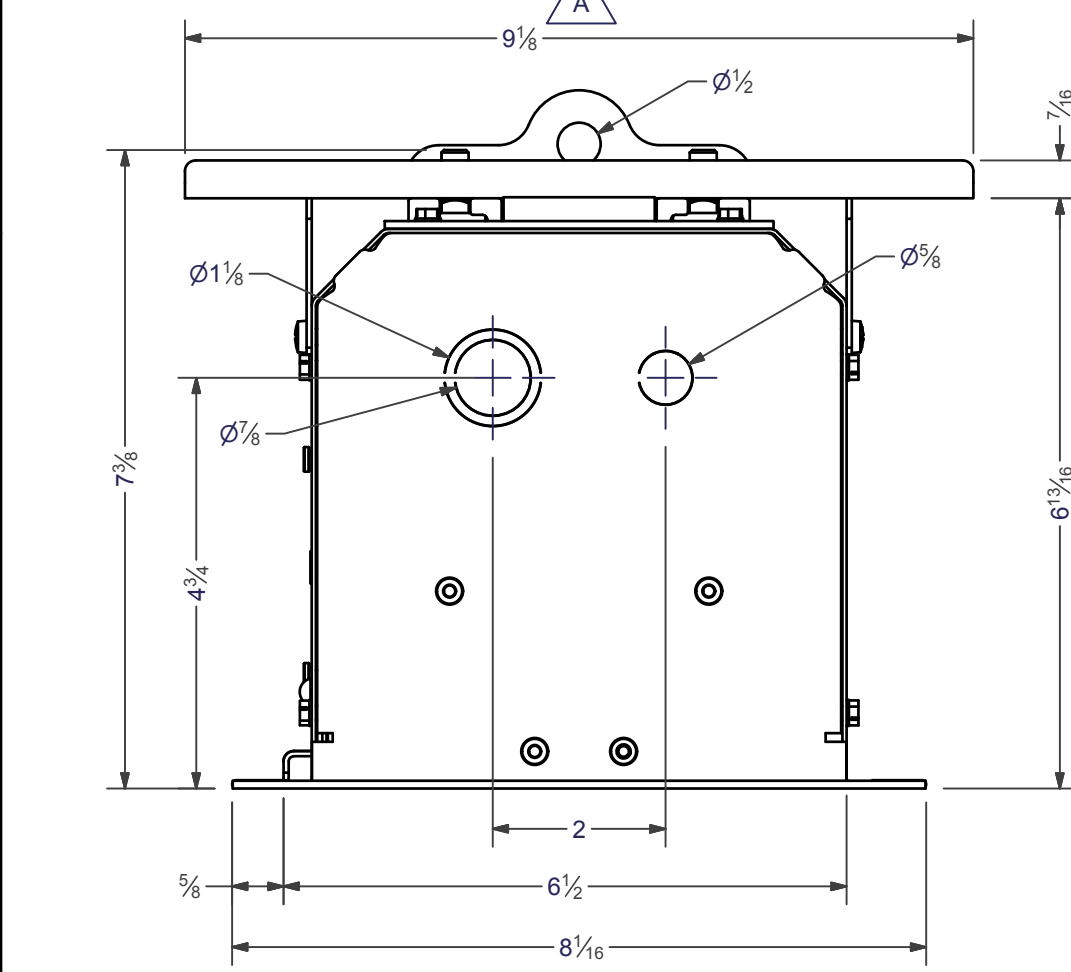


B



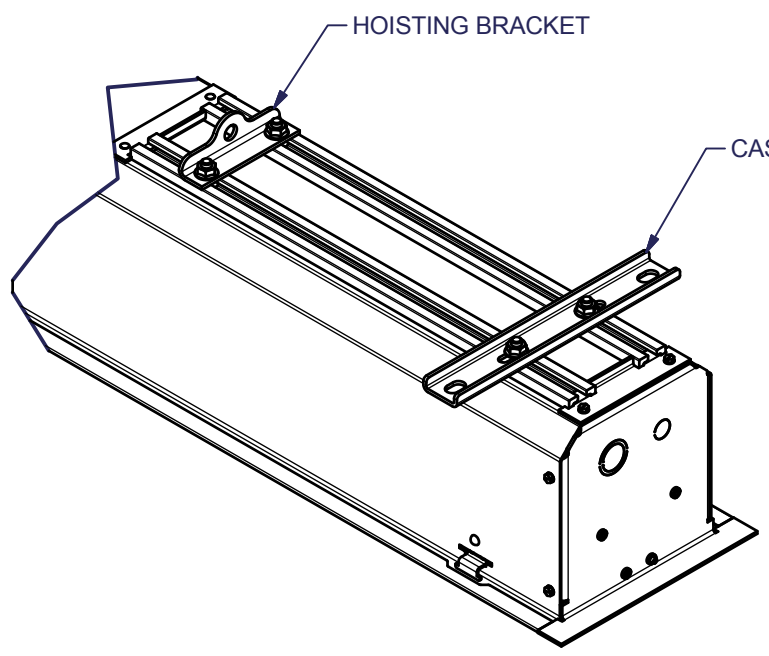
CENTER CASE SUPPORT

A

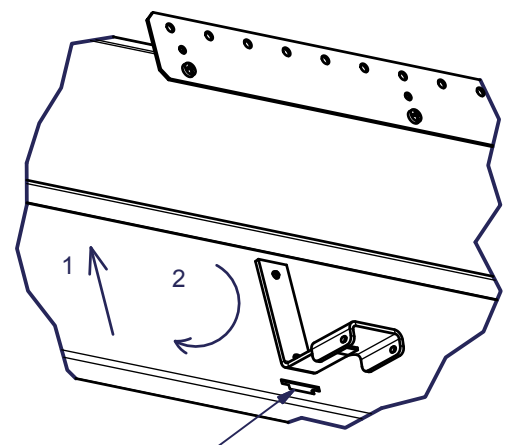


HOISTING BRACKET

CASE MOUNTING BRACKET



A



SLOT FOR ATTACHING DOOR

ATTACHING BRACKETS
STEP 1. Insert Pin in Top Slot and Push Up
STEP 2. Rotate Bracket CW to Lock Bracket In Place

A

A

<p>TOLERANCES UNLESS NOTED</p> <p>2 PLC. DECIMAL: ±.01" 3 PLC. DECIMAL: ±.005" ANGULAR: ±1° FRACTIONAL: ±1/32"</p>	DESIGNED BY: senochs	7/23/2013	<p>DRAPER</p> <p>DRAPER, INC. 411 S. PEARL STREET SPICELAND, INDIANA 47385-0425 www.draperinc.com</p>										
	DRAWN BY: senochs	12/5/2014											
	CHECKED BY:												
	MFG APPD BY:												
<p>PROPRIETARY DRAWING NOTICE: THIS DOCUMENT CONTAINS CONFIDENTIAL, PROPRIETARY INFORMATION OF DRAPER, INC., IS THE PROPERTY OF DRAPER, INC., AND MUST BE RETURNED UPON REQUEST. NEITHER RECEIPT NOR POSSESSION THEREOF CONFERS ANY RIGHT TO OWN, REPRODUCE, USE, OR DISCLOSE IN WHOLE OR IN PART, ANY SUCH INFORMATION WITHOUT WRITTEN AUTHORIZATION FROM DRAPER, INC.</p>			<p>TITLE: ACCESS CASE DIMENSIONS</p>										
<p>REVISION HISTORY</p> <table border="1"> <tr> <th>REV</th> <th>Date</th> <th>ECO</th> <th>BY</th> <th>DESCRIPTION</th> </tr> <tr> <td>A</td> <td>12.22.2015</td> <td>1440</td> <td>RAS</td> <td>REPLACE C002.1151 7-3/4" LONG BRACKETS WITH C002.1281 9-1/8" LONG BRACKETS</td> </tr> </table>			REV	Date	ECO	BY	DESCRIPTION	A	12.22.2015	1440	RAS	REPLACE C002.1151 7-3/4" LONG BRACKETS WITH C002.1281 9-1/8" LONG BRACKETS	<p>MATERIAL:</p> <p>PAPER SIZE: B</p> <p>SCALE: NONE</p> <p>REV: SHEET: 1 OF: 1</p> <p>DWG NO. - PART NO.</p>
REV	Date	ECO	BY	DESCRIPTION									
A	12.22.2015	1440	RAS	REPLACE C002.1151 7-3/4" LONG BRACKETS WITH C002.1281 9-1/8" LONG BRACKETS									

4

3

2

1