

Access/Series M

Ceiling recessed manual screen
Install case now, screen later

by **DRAPER**

Specifications—Access/Series M

_____ projection screens, size _____ h.
x _____ w., recessed in ceiling. Case back, top, and front constructed of steel. Endcaps are steel. Bottom panel forms slot for passage of viewing surface, easily removable for access to roller and viewing surface. Housing to include bottom flange for trim around edges of ceiling opening. Case may be mounted with 3/8" threaded rod, with lag screws through brackets, or with wire in a grid ceiling. Mounting brackets slide in channels on top of case, allowing brackets to be moved somewhat to avoid interference with conflicting building structures. Brackets may be locked in position by tightening bolts. Brackets may also be angled to meet installation requirements. Roller/fabric assembly may be installed in case at factory or job site. Brackets supporting roller/fabric assembly to slide in track inside the top of the case, allowing viewing surface to be centered in case regardless of screen size. Viewing surface mounted on a 1 3/4", 2 1/4" or 3" dia. rigid steel roller, depending on screen size. Viewing surface to be flame and mildew resistant. Bottom of viewing surface enclosed in dowel. Matt White XT1000E and Contrast Grey XH800E viewing surfaces are certified to GREENGUARD standards for low chemical emissions into indoor air during product usage. For more information, visit ul.com/gg. One piece rigid roller. Patented by Draper, Inc. (U.S. Patent No. 6,532,109; 6,816,308; 7,559,707.) Other patents pending. **Downloadable 3-part specifications available at www.draperinc.com.** Specifications subject to change without notice.



Dimensions & Data

Size H x W	Case Length ¹	Net Wt. (lbs.)	Qty.		
AV Format					
9' x 12'	150"	88			
12' x 12'	150"	104			
Nominal Diagonal	Image Area	Overall Size	Case Length ¹	Net Wt. (lbs.)	Qty.
NTSC Video Format (4:3)					
15'	105" x 140"	109" x 144"	150"	88	
HDTV Format (16:9)					
161"	79" x 140"	84" x 144"	150"	88	
16:10 Format					
165"	87 1/2" x 140"	92 1/2" x 144"	150"	88	
Custom Size					

Please Mark Appropriate Selections

Select Shipping Option:

- Case Now, Screen Assembly Later
 Complete Unit Now

Select Case Color:

- White (standard)
 Black (optional)

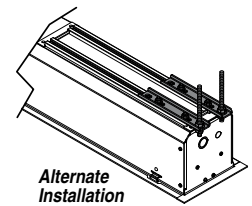
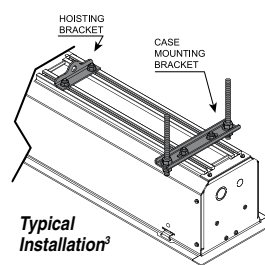
Select Viewing Surface:

- Matt White XT1000E (1.0 gain): GREENGUARD Gold certified
 Contrast Grey XH800E (0.8 gain) (Optional): GREENGUARD Gold certified
 Other _____

Optional Accessories:

- Additional set of mounting brackets for alternate mounting (see page 2)
 Extra Drop ²
 Same color as viewing surface (standard on AV format screens)
 Black (standard on all other formats)
Length of total drop (including standard 12" on some sizes—see grid at right) ² _____
 2" Black Masking Borders (Optional on AV format, standard on all others)
 Aluminum Operating Pole
 4' long
 6' long

Case Dimensions and Methods of Installation



³ With typical installation, brackets may be angled to meet installation requirements.

¹ Case lengths include 1" flange on each end of case. Subtract 1 1/2" for rough ceiling cutout length.

² These sizes include 12" black drop as standard.

Also available in 1.85:1, 2.35:1 and 15:9 Formats. Contact Draper.

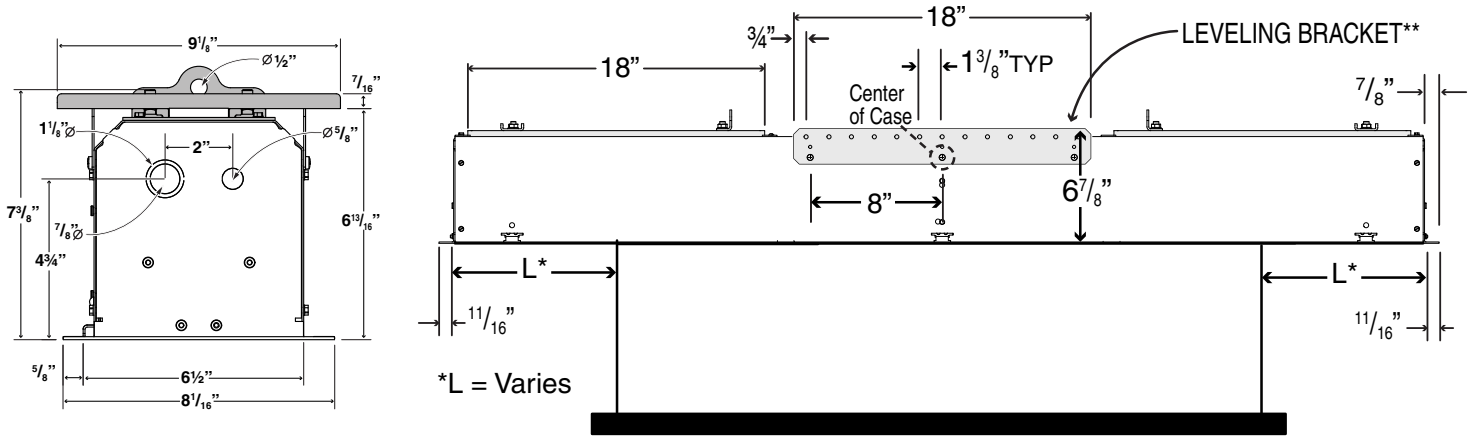
DRAPER

411 S. Pearl St., Spiceland, IN 47385 USA ■ 765-987-7999
www.draperinc.com ■ fax 765-987-7142

Copyright © 2015 Draper Inc. Form AccessM_Sub15-R Printed in U.S.A.

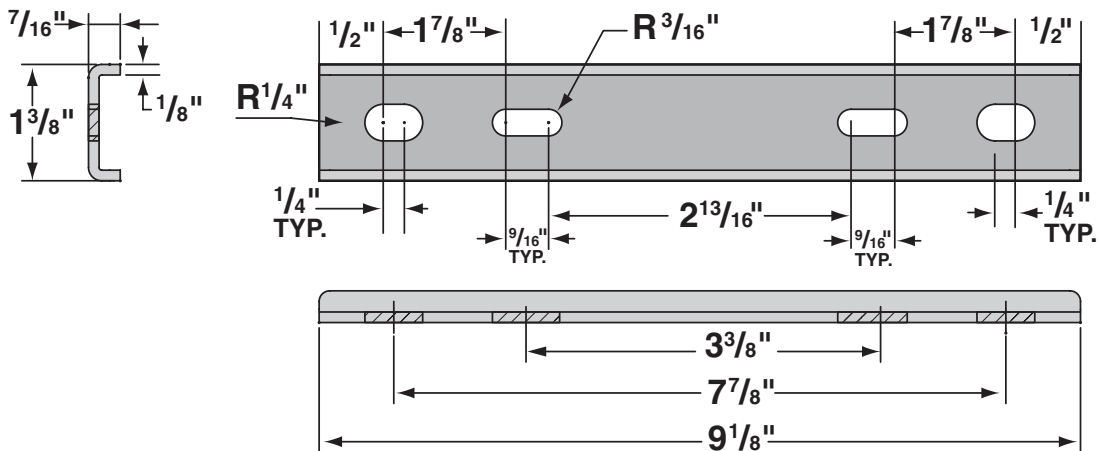
PROJECT: _____
ARCHITECT: _____
CONTRACTOR: _____
SUPPLIER: _____
DATE: _____ REVISED: _____

Case Dimensions



For ceiling cutout subtract 1 1/2" from case length and width (measured from outer edge of flanges).

Mounting Bracket Dimensions



PROJECT: _____
 SUPPLIER: _____
 DATE: _____ REVISED: _____