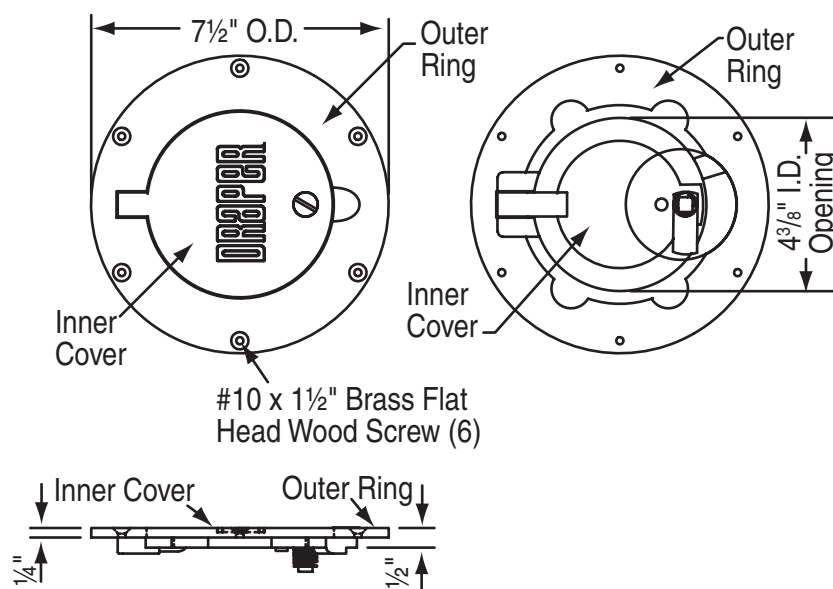


Installation Instructions

501035 Locking Brass Volleyball Floor Cover Plate by Draper

Please Note: Install Floor Sleeves before installing Floor Plates

- ① Locate cover plate assembly directly centered over floor sleeve.
- ② Orient the cover so the plate hinges open away from the volleyball court. Mark outer perimeter of cover plate on floor.
- ③ Set router depth to $\frac{1}{4}$ ".
- ④ Route out floor, staying within the $7\frac{1}{2}$ " OD circle.
- ⑤ Set cover down in floor in area just routed out. Trim and/or adjust routed area to insure cover plate is flush with top of finished floor.
- ⑥ Re-orient the cover so the plate hinges open away from the volleyball court and drill $\frac{1}{8}$ " diameter hole $1\frac{1}{4}$ " deep down through all six holes in cover plate.
- ⑦ Install the six #10 x $1\frac{1}{2}$ " flat head wood screws.
- ⑧ Close cover and lock using screw driver or coin.



DRAPER®

411 S. Pearl St., Spiceland, IN 47385 USA ■ 765-987-7999
www.draperinc.com ■ fax 765-987-7142