

Volleyball Floor Anchors - 501012

Specifications

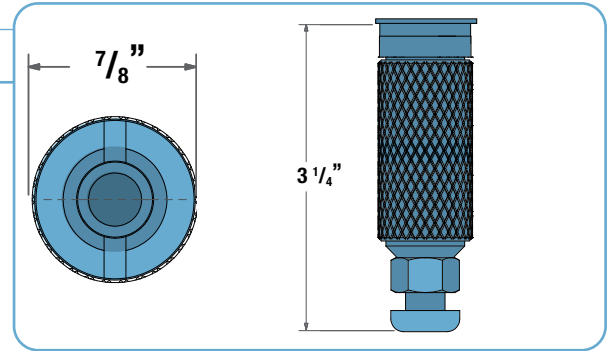
501012 Floor Anchor—For Wood Floor Over Concrete

Product Description

Specify _____ floor anchors, manufactured by Draper, Inc., Spiceland, Indiana. One piece floor anchor shall be chrome-plated and designed for grout-in installation.

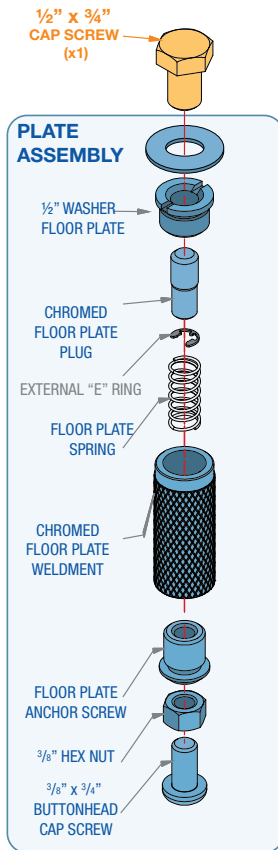
Anchors shall have spring-loaded flush fairings with standard 1/2"-13 NC threads.

Model 501012 shall be used for wood over concrete floors.



Section 1 - Before Beginning Installation

PARTS INCLUDED



OPEN PACKAGING

1. Confirm all parts shown at LEFT are present within the packaging.
2. Confirm all tools shown at RIGHT are available on the jobsite.

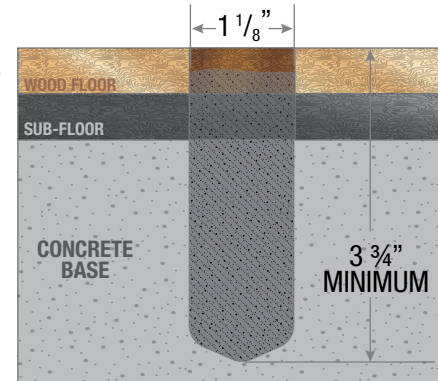
TOOLS REQUIRED



Section 2 - Floor Anchor Installation

Section 2.1 - Drilling Holes in Surface

1. Locate and mark center locations of **FLOOR ANCHOR** using provided layout diagram. Check these measurements for accuracy SEVERAL TIMES before proceeding.
2. Using a **POWER DRILL** with a 1 1/8" **WOOD BIT**, drill through the **WOOD FLOOR** and **SUB-FLOOR**.
3. Using a **HAMMER DRILL** with a 1 1/8" **MASONRY BIT**, drill the concrete to a minimum of 3 3/4" depth.
4. Remove all dust and debris from the worksite.



IMPORTANT! 5. Fill the hole with water and scrub clean with a **BOTTLE BRUSH**.

Also Included:

One 1oz. Bag of
Set-45® Concrete Mix



PROJECT: _____

ARCHITECT: _____

CONTRACTOR: _____

SUPPLIER: _____

DATE: _____ REVISED: _____

Volleyball Floor Anchors - 501012

SUBMITTAL & INSTRUCTIONS

Section 2.2 - Mixing SET-45 and Inserting Anchors

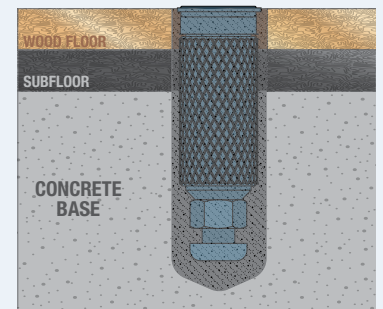
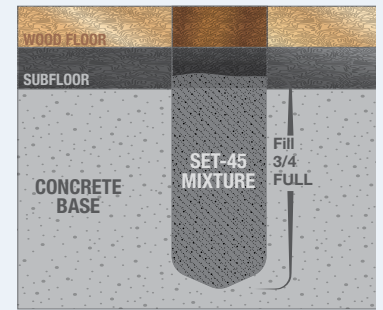
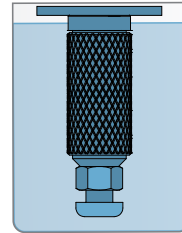
1. Mix **SET-45** (Included) in a **CLEAN MIXING CONTAINER** until it is a thick paste. For best results mix at a ratio of **½ OZ (15ML) WATER** with **1 BAG OF SET-45**.
2. Let mixture sit for 1 minute and then stir vigorously. Mixture will become more liquid.

Please Note: DO NOT add sand or concrete to mixture.

Please Note: DO NOT add too much water to or retemper concrete that has begun to set in the mixing container. Final results will be a failure.

3. Turn **CAP SCREW** onto **FLOOR PLATE** until it is finger tight.
4. Pour **SET-45 MIXTURE** into hole until $\frac{3}{4}$ full.
5. Dip the **FLOOR PLATE ASSEMBLY** in water up to the **CHROMED FLOOR PLATE**.
6. Slowly lower the **FLOOR PLATE ASSEMBLY** into the mixture until it is properly seated into hole and flush with playing surface.
7. Remove excess **SET-45 MIXTURE** using a **PUTTY KNIFE** and **PAPER TOWELS/RAG**.

Dip Anchor in WATER before inserting



PROJECT: _____

ARCHITECT: _____

CONTRACTOR: _____

SUPPLIER: _____

DATE: _____ REVISED: _____