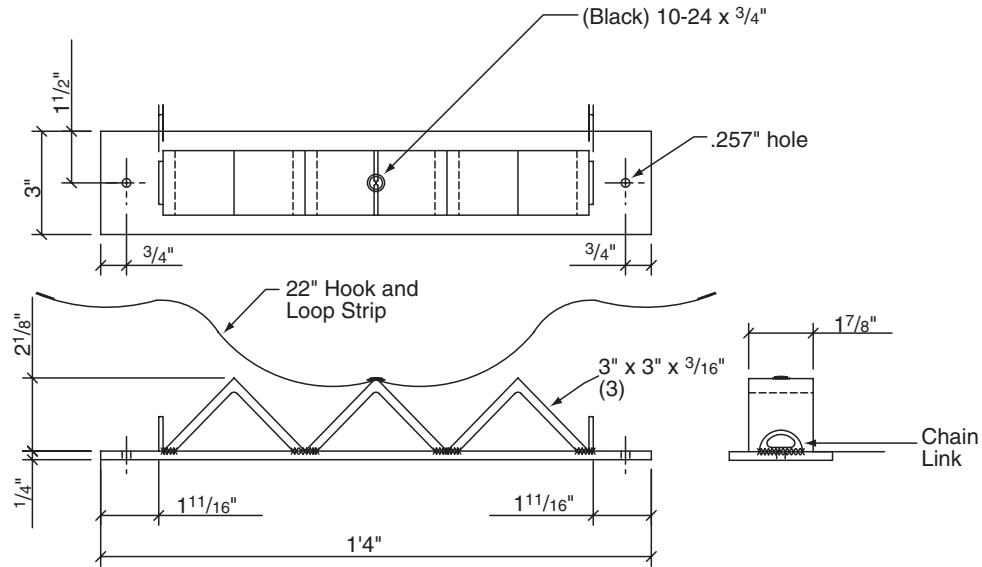


# 501015

## Vertical Volleyball Storage Bracket

by **DRAPER**



### Specifications—501015

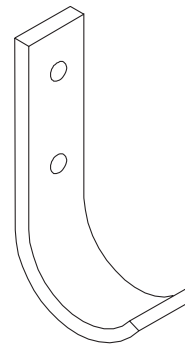
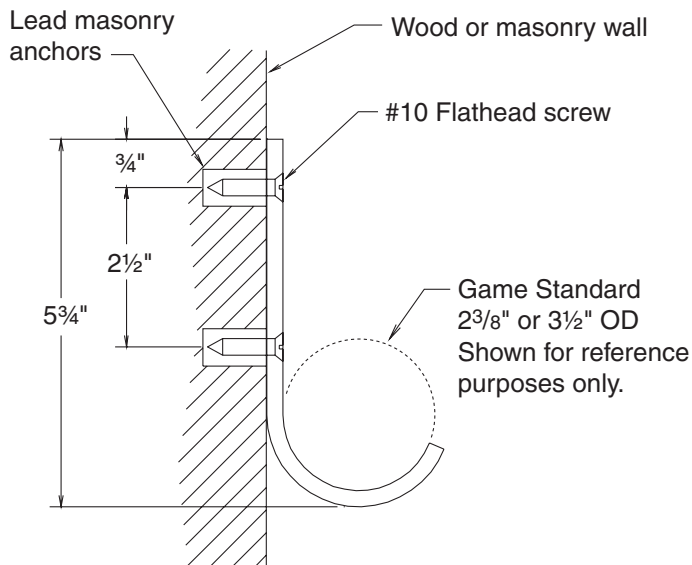
#### Vertical Volleyball Storage Bracket

For storage of volleyball posts in vertical position specify Draper Model No. 501015 Vertical Storage Brackets.

Model No. 501015 Vertical Storage Brackets are constructed with from 1/4" thick flat steel and 3/16" thick angle. Posts are secured with nylon straps with hook and loop fastener. Brackets are sold in pairs. Each pair of brackets is designed to store two posts. Weldment is finished in attractive gloss black powder coat. Brackets are secured to wall with 1/4" x 2 1/2" screws.

# 501017

## Wall Storage Hooks for 500001 and other Volleyball standards



PROJECT: \_\_\_\_\_

ARCHITECT: \_\_\_\_\_

CONTRACTOR: \_\_\_\_\_

SUPPLIER: \_\_\_\_\_

DATE: \_\_\_\_\_ REVISED: \_\_\_\_\_

**DRAPER**

411 S. Pearl St., Spiceland, IN 47385 USA ■ 765-987-7999 ■ fax 765-987-7142

e-mail draper@draperinc.com ■ www.draperinc.com

Copyright © 2004 Draper Inc. Form VB-501015-501017-Storage\_Sub04 Printed in U.S.A.