

Ultimate Access FlexShade System

by **DRAPER**

Please check all appropriate selections and attach room schedule with field verified dimensions:*

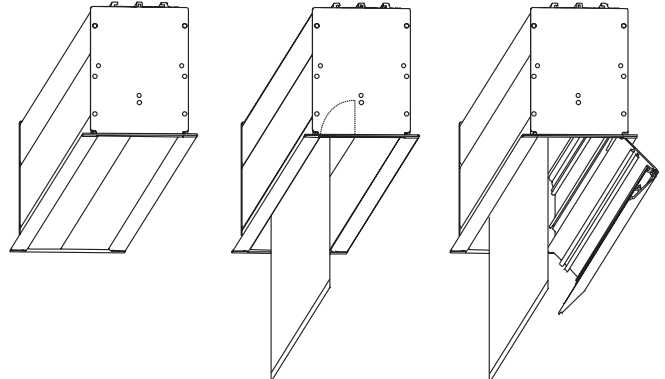
Select Installation Method:

- Suspended Mount—mounting brackets included
 - Additional set of mounting brackets (for alternate mounting)
- Ceiling Surface Mount—no mounting brackets

Select Fabric (indicate color/openness)*

- "E" Screen by Mermet _____
- Flocké by Mermet _____
- "M" Screen by Mermet _____
- Obion by Mermet _____
- R1 by Mermet _____
- Roc-Rol by Rockland _____
- SheerWeave® Infinity _____
- SheerWeave® SW2000/2100 _____
- SheerWeave® SW2400/2500/2600/2900 _____
- SheerWeave® SW2700/2701 _____
- SheerWeave® SW3000 _____
- SheerWeave® SW5000 _____
- SheerWeave® SW7000 _____
- SheerWeave® SW7100 _____
- SheerWeave® PW3500/4100/4400 _____
- SheerWeave® PW4500/4600 _____
- SheerWeave® PW4550/4650 _____
- SheerWeave® PW4800 _____
- SilverScreen by Mermet _____
- Soltis 99® by Ferrari _____
- SunBloc SB9000 _____
- SunBloc SB9100 _____
- "T" Screen by Mermet _____
- Terra by Mermet _____
- Vela _____

*Please refer to Draper's Shade Fabric Reference Sheet for specifications and available colors.



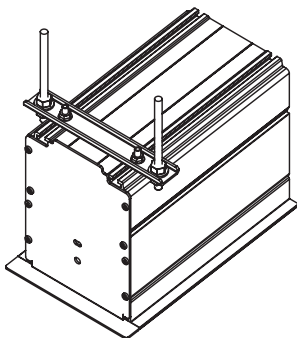
Control Options:

- 110-120V Wall Switch for Single Shade Control
- Low Voltage and/or Multiple Shade Control: **Please see Draper's IntelliFlex® Controls Reference Sheet and IntelliFlex Controls Planning Sheet to design a control solution for this product. The forms are available at www.draperinc.com, or by contacting Draper.**

Methods of Installation

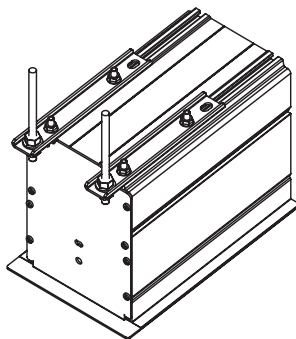
Suspended Mount

Typical Installation¹

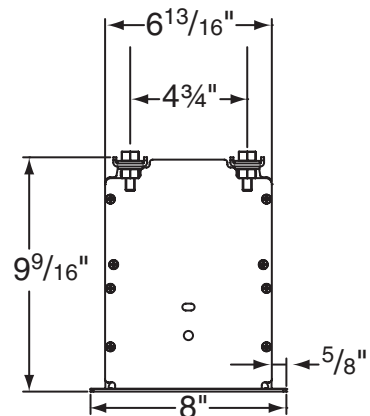


Shown with 7/8" threaded rod (by others).

Alternate Installation (additional set of brackets required but not included)



Ceiling Mount



For dimensions, see page 2.

DRAPER®

IM Measure—Draper makes deductions for clearance within opening.
OM Measure—No deduction made. Width shown will be overall dimension.

411 S. Pearl St., Spiceland, IN 47385 USA ■ 765-987-7999
www.draperinc.com ■ fax 765-987-7142

Copyright ©2010 Draper Inc. Form UltimateAccessFlexShade_Sub10 Printed in U.S.A.

PROJECT: _____

ARCHITECT: _____

CONTRACTOR: _____

SUPPLIER: _____

DATE: _____ REVISED: _____

Ultimate Access FlexShade System Specifications

Ultimate Access Headbox

Lower half of headbox finished white, upper portion is unpainted. Back, top, front, and bottom of extruded aluminum. Endcaps are stamped steel. Bottom of headbox consists of an independently motorized trap door that opens up inside the headbox. The trap door and the access door both hinge downward to allow access to inside of headbox. The doors remain attached to the screen case via a concealed full-length hinge. Releasing one latch at each end of headbox allows the doors to hinge downward and a prop arm at each end may be pivoted to engage with endcaps, keeping the door assembly in its fully open position. **Left-hand motor location only.** Flange to trim ceiling opening on front, back, or sides. Headbox may be mounted using suspended mounting brackets.

Entire unit certified by Underwriters' Laboratories, Inc. for the U.S. and Canada. Plenum rated case (UL approved "Suitable for Use in Environmental Air Space"). Patented by Draper, Inc. (U.S. Patent Nos. 5,341,241; 6,137,629; 6,421,175; and 6,532,109; other patents pending).

Method of Operation

Electric Operator: 110-120V AC, 60 Hz. 5-wire motor mounted inside shade roller, instantly reversible, lifetime lubricated, with internal thermal overload protector and electric brake. Draws 1.1 amp. Preset, accessible limit switches. Internal junction box allows headbox to be installed and pre-wired to building supply. Left side motor location only. Junction box to have two plug-in style connectors, mating with connectors from motorized roller/fabric assembly and motorized door assembly. 3-position control switch (or switches—specify number) to stop or reverse screen at any point. Switch(es) furnished with cover plate. Other control options available: see IntelliFlex Reference Sheet and IntelliFlex Planning Sheet for details.

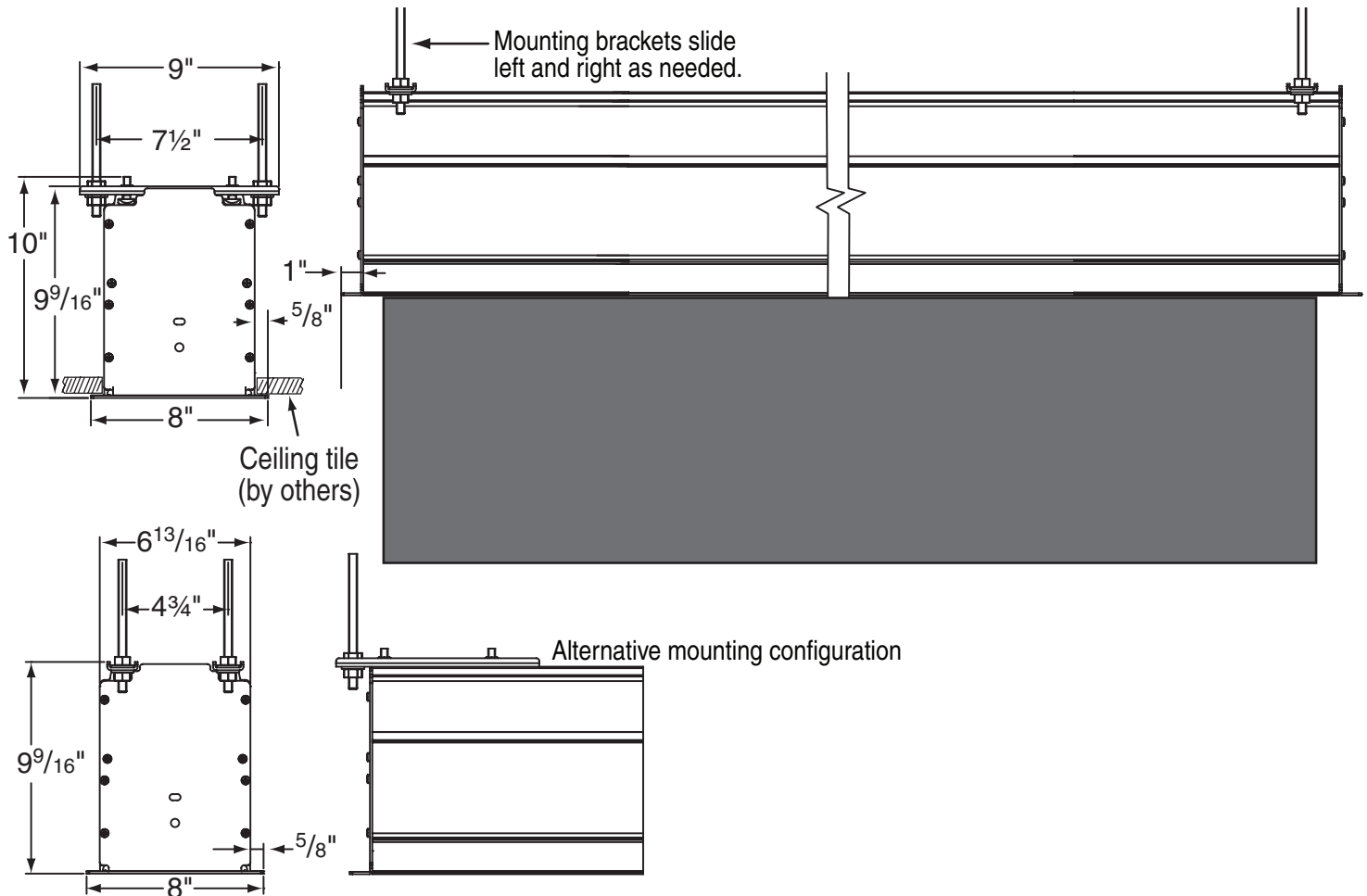
Hardware

Rollers: 2" dia. x .080 wall, in steel or extruded aluminum. Roller assembly easily removable.

Mounting Brackets: Mounting brackets slide in channels on top of case, allowing brackets to be moved to avoid interference with conflicting building structures. Brackets may be locked in position by tightening screws. Brackets may also be angled to meet installation requirements.

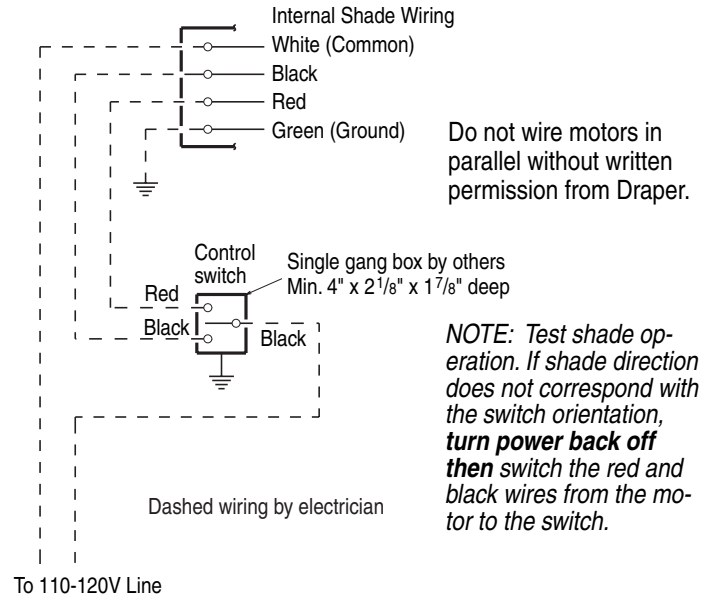
Downloadable 3-part specifications are available at www.draperinc.com.

Dimensions*



* Please Note: Flanges increase headbox length by 1 3/4" (7/8" per end)

**Single Station Control *
Wiring Diagram—Single Station Control ***



* For Low Voltage or Multiple Station Control, see diagrams provided with control.