

# Techmatic Window Shades

by

# DRAPER

Please check all appropriate selections and attach room schedule with verified dimensions.

## Select Fabric\*

- Color name, no., openness**
- "E" Screen by Mermet \_\_\_\_\_
  - Flocké by Mermet \_\_\_\_\_
  - "M" Screen by Mermet \_\_\_\_\_
  - Obion by Mermet \_\_\_\_\_
  - R1 by Mermet \_\_\_\_\_
  - Roc-Rol by Rockland \_\_\_\_\_
  - SheerWeave® Infinity \_\_\_\_\_
  - SheerWeave® PW3500/4100/4400 \_\_\_\_\_
  - SheerWeave® PW4500/4600 \_\_\_\_\_
  - SheerWeave® PW4550/4650 \_\_\_\_\_
  - SheerWeave® PW4800 \_\_\_\_\_
  - SheerWeave® SW2000/2100 \_\_\_\_\_
  - SheerWeave® SW2400/2500/2600/2900 \_\_\_\_\_
  - SheerWeave® SW2701/2703/2705/2710 \_\_\_\_\_
  - SheerWeave® SW3000 \_\_\_\_\_
  - SheerWeave® SW5000 \_\_\_\_\_
  - SheerWeave® SW7000 \_\_\_\_\_
  - SheerWeave® SW7100 \_\_\_\_\_
  - SheerWeave® SW7500 \_\_\_\_\_
  - SilverScreen by Mermet \_\_\_\_\_
  - Soltis 99® by Ferrari \_\_\_\_\_
  - SunBloc SB9000 \_\_\_\_\_
  - SunBloc SB9100 \_\_\_\_\_
  - "T" Screen by Mermet \_\_\_\_\_
  - Terra by Mermet \_\_\_\_\_
  - Vela by Mermet \_\_\_\_\_

\*Please see Draper's Shade Fabric Reference Sheet for fabric colors and specifications.

## Select Operator Chain

- Stainless Steel Chain (standard)
- Polyester Chain
  - Ivory
  - Grey
  - Black

## Select Operator Color

- Black
- White

## Select Operator Location

- Right (standard)
- Left

## Select Hardware

- Brackets
  - 1<sup>5</sup>/<sub>8</sub>" Brackets
    - Optional White Bracket Covers (1<sup>5</sup>/<sub>8</sub>" brackets only)
  - 2<sup>1</sup>/<sub>4</sub>" Brackets
- Optional Fascia with Endcaps
  - Square
  - Radius
- Optional Headbox
  - Ceiling/Wall Headbox
  - Pocket Headbox

## Select Hardware Color

- Clear anodized (standard)
- Black  Ivory
- White  Bronze

## Specifications—Techmatic Window Shades

**Bead Chain Clutch Operator:** High carbon steel and molded fiberglass-reinforced polyester. Black or white in color. Bi-directional for mounting at right (standard) or left end of roller. Control loop, of any length, is a plastic or stainless steel bead chain. Stainless steel, standard. Polyester chain in ivory, grey, black. Never needs adjusting.

**Rollers:** Sizes 1<sup>1</sup>/<sub>4</sub>" dia. x .030 wall or 1<sup>1</sup>/<sub>2</sub>" dia. x .065 wall. Extruded aluminum. Roller assembly easily removable.

**Endcaps:** Optionally available for use with fascia. 1018 steel stamping. 3<sup>5</sup>/<sub>16</sub>" w x 3<sup>3</sup>/<sub>16</sub>" with fascia. Complete with roller mounting bracket. Installs to face, ceiling, or jamb.

**Endcap Covers:** Plastic covers snap onto endcaps. Available in ivory, bronze, black or white to match fascia.

**Fascia:** Optional "L" or radius shaped cover of 6063-T5 extruded aluminum, .060 wall. Assembly snaps onto endcaps without exposed fasteners. **Clear anodized finish (standard)** or ivory, bronze, black or white powder coat. 3<sup>5</sup>/<sub>16</sub>" w x 3<sup>3</sup>/<sub>16</sub>".

**Headbox:** Standard consists of fascia, L-shaped back/top cover. Assembly snaps onto endcaps. Optional, for pocket installation, includes a U-shaped back/top/front cover with removable bottom closure panel. Small size: 3<sup>7</sup>/<sub>16</sub>" x 3<sup>15</sup>/<sub>16</sub>". **Clear anodized (standard)** finish or black, white, ivory or bronze powder coat finish.

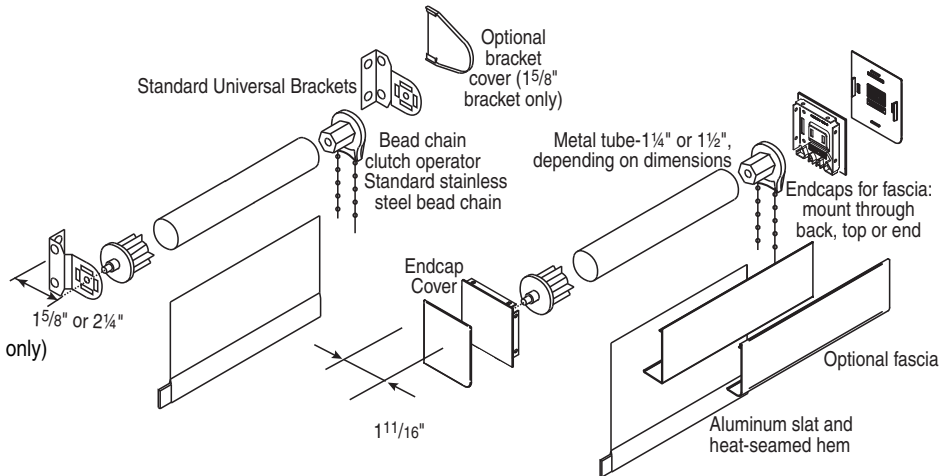
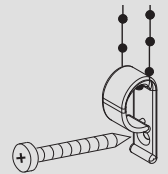
**Mounting Brackets:** Plated steel, with adequate projection to clear all window fixtures. Sizes 1<sup>5</sup>/<sub>8</sub>" and 2<sup>1</sup>/<sub>4</sub>". Brackets do not require additional adapters.

**Slat:** Aluminum, min. 1<sup>1</sup>/<sub>8</sub>" x 1", encased in heat-seamed hem.

**Dimensions:** Shades to fit windows with maximum protection from light streaks. Finished length of shades no less than 6" greater than window height. Dimensions of rollers, operators and hardware at manufacturer's discretion.

## Safety Note for Techmatic Shades

**Please Note: If shades are to be installed in areas accessible to young children, be certain to use cord tension device included with Bead Chain Clutch shades. Clutch-operated shades should not be installed near cribs or playpens.**



# DRAPER®

411 S. Pearl St., Spiceland, IN 47385 USA ■ 765-987-7999  
www.draperinc.com ■ fax 765-987-7142

Copyright © 2010 Draper Inc. Form Techmatic\_Sub10-R2 Printed in U.S.A.

PROJECT: \_\_\_\_\_

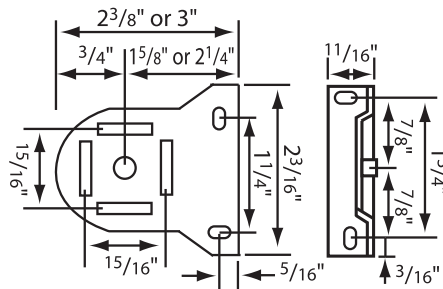
ARCHITECT: \_\_\_\_\_

CONTRACTOR: \_\_\_\_\_

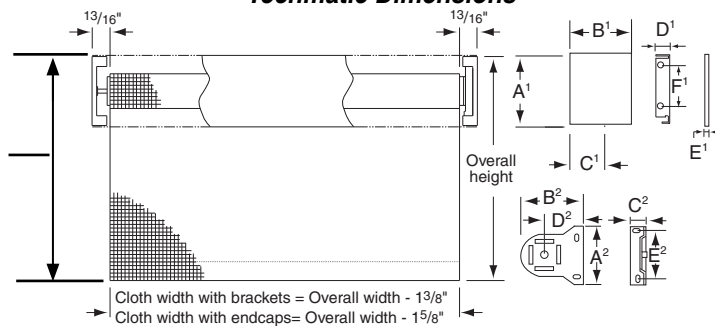
SUPPLIER: \_\_\_\_\_

DATE: \_\_\_\_\_ REVISED: \_\_\_\_\_

## Universal Inside/Outside, Right/Left Ceiling/Wall Mounting Bracket Dimensions



### Techmatic Dimensions



When measuring shade height, remember to include endcaps and fascia or headbox.

	Headbox*		Brackets**	
			Small	Large
A <sup>1</sup>	3 <sup>15</sup> / <sub>16</sub> "	A <sup>2</sup>	2 <sup>3</sup> / <sub>16</sub> "	2 <sup>3</sup> / <sub>16</sub> "
B <sup>1</sup>	3 <sup>7</sup> / <sub>16</sub> "	B <sup>2</sup>	2 <sup>3</sup> / <sub>8</sub> "	3"
C <sup>1</sup>	1 <sup>3</sup> / <sub>16</sub> "	C <sup>2</sup>	1 <sup>1</sup> / <sub>16</sub> "	1 <sup>1</sup> / <sub>16</sub> "
D <sup>1</sup>	5/ <sub>8</sub> "	D <sup>2</sup>	1 <sup>5</sup> / <sub>8</sub> "	2 <sup>1</sup> / <sub>4</sub> "
E <sup>1</sup>	1/ <sub>16</sub> "	E <sup>2</sup>	1 <sup>3</sup> / <sub>4</sub> "	1 <sup>3</sup> / <sub>4</sub> "
F <sup>1</sup>	2"	F <sup>2</sup>	N/A	N/A

Above dimensions based upon 20 lb. clutch and 1 1/2" diameter roller.

\* For fascia, subtract 1/16" from A<sup>1</sup> and B<sup>1</sup>.

\*\* Small brackets are supplied with #10 and #20 clutch. Large bracket optionally available at Draper's discretion.

(Fascia Overall Width includes plastic endcap covers)  
(Pair adds 1/8" to Overall Width)

### Headbox

Pocket Headbox

Surface Headbox

