

Spring Roller Window Shade

by **DRAPER**

Please check all appropriate selections and attach room schedule with field-verified dimensions.

Select Fabric

Color name, no., openness

- CL8000 (Colony) _____
- "E" Screen by Mermet _____
- Flocké by Mermet _____
- Linen Veil by Newcastle _____
- "M" Screen by Mermet _____
- Obion by Mermet _____
- R1 by Mermet _____
- Roc-Rol by Rockland _____
- SheerWeave® Infinity _____
- SheerWeave® SW2000/2100 _____
- SheerWeave® SW2400/2500/2600/2900 _____
- SheerWeave® SW2701/2703/2705/2710 _____
- SheerWeave® SW3000 _____
- SheerWeave® SW5000 _____
- SheerWeave® SW7000 _____
- SheerWeave® SW7100 _____
- SheerWeave® PW3500/4100/4400 _____
- SheerWeave® PW4500/4600 _____
- SheerWeave® PW4550/4650 _____
- SheerWeave® PW4800 _____
- SilverScreen by Mermet _____
- Soltis 99® by Ferrari _____
- SunBloc SB9000 _____
- SunBloc SB9100 _____
- "T" Screen by Mermet _____
- Terra by Mermet _____
- Vela by Mermet _____

*Please see Draper's Shade Fabric Reference Sheet for fabric colors and specifications.

Select Hardware

- Brackets
- Optional Fascia with endcaps
 - Clear Anodized (standard)
 - Black Ivory
 - White Bronze
- Optional Headbox
 - Surface Style
 - Pocket Style

Specifications-Spring Roller Window Shades

Components

Institutional quality one-piece steel roller, 1¼" dia. or 1½" dia., with heavy-duty springs and locking endcaps.

Slat: Indiana hard rock maple, smooth and thoroughly seasoned, 1¼" dia. or 1½" dia. at manufacturer's discretion. Pine slats not acceptable. Finger splices not acceptable.

Cord: Hard braided cotton, size #4½, attached to slat by #211 screweye and cord clasp. Eyelets not acceptable.

Hems: Slat hems are heat seamed.

Brackets: Plated steel, with adequate projection to clear all window fixtures. Type (Outside/Ceiling/Inside/Flat Steel for Masonry).

Dimensions: Shades to fit windows with maximum protection from light streaks. Finished length of shades no less than 6" greater than window height.

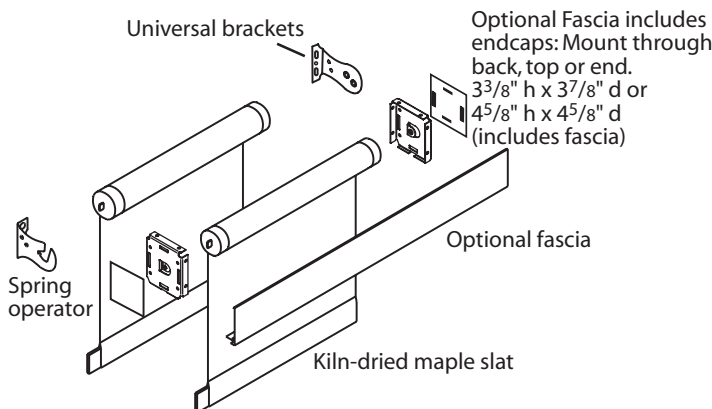
Fascia: Optional L-shaped cover of 6063-T5 extruded aluminum, .060 wall. Assembly snaps onto endcaps without exposed fasteners. **Clear anodized finish (standard)** or ivory, bronze, black or white powder coat.

Endcaps: For use with fascia. 1018 steel stamping. 37/8" x 33/8" or 45/8" x 45/8". Complete with roller mounting bracket. Installs to face, ceiling, or jamb.

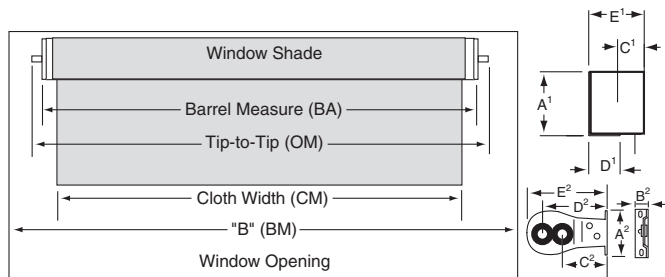
Endcap Covers: Plastic covers snap onto endcaps. Available in ivory, bronze, black or white to match fascia.

Headbox: Standard consists of fascia, L-shaped back/top cover. Assembly snaps onto endcaps. Optional, for pocket installation, includes a U-shaped back/top/front cover with removable bottom closure panel. Small size: 37/16" x 315/16". Large size: 411/16" x 411/16". Some exposed fasteners required. **Clear anodized (standard)** finish or black, white, ivory or bronze powder coat finish.

Please note: Dimensions of rollers, operators and hardware at manufacturer's discretion.



Dimensions



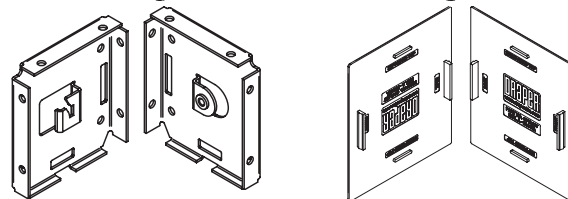
	Headbox with Endcaps*		Brackets**	
	Small	Large	Small	Large
A ¹	3 ¹⁵ / ₁₆ "	4 ¹¹ / ₁₆ "	A ² 7/8"	1 ¹⁵ / ₁₆ "
B ¹	N/A	N/A	B ² 5/8"	1 ³ / ₁₆ "
C ¹	1 ¹¹ / ₁₆ "	1 ⁵ / ₈ "	C ² 1¼"	1 ⁵ / ₈ "
D ¹	1 ⁹ / ₁₆ "	1 ¹¹ / ₁₆ "	D ² 1 ⁵ / ₈ "	2 ³ / ₁₆ "
E ¹	3 ⁷ / ₁₆ "	4 ¹¹ / ₁₆ "	E ² 1 ¹⁵ / ₁₆ "	2 ¹¹ / ₁₆ "

*For fascia, subtract 1/16"

**Please Note: When mounting brackets to the wall, use the hole closest to the wall. When mounting brackets to the ceiling, use the hole furthest away from the ceiling.

Spring Roller Brackets/Endcaps/Endcap Covers

For wall mounting, place spear in this slot. For wall mounting, place pin in this hole. For ceiling mounting, place spear in this slot. For ceiling mounting, place pin in this hole.



PROJECT: _____

ARCHITECT: _____

CONTRACTOR: _____

SUPPLIER: _____

DATE: _____ REVISED: _____

DRAPER®

