

FlexShade 2



Please check all appropriate selections and attach room schedule with verified dimensions.

Select Fabric* Color name, no. & openness

- "E" Screen by Mermet _____
- Flocké by Mermet _____
- "M" Screen by Mermet _____
- Obion by Mermet _____
- R1 by Mermet _____
- Roc-Rol by Rockland _____
- SheerWeave® Infinity _____
- SheerWeave® PW3500/4100/4400 _____
- SheerWeave® PW4500/4600 _____
- SheerWeave® PW4550/4650 _____
- SheerWeave® PW4800 _____
- SheerWeave® SW2000/2100 _____
- SheerWeave® SW2400/2500/2600/2900 _____
- SheerWeave® SW2701/2703/2705/2710 _____
- SheerWeave® SW3000 _____
- SheerWeave® SW5000 _____
- SheerWeave® SW7000 _____
- SheerWeave® SW7100 _____
- SheerWeave® SW7500 _____
- SilverScreen by Mermet _____
- Soltis 99® by Ferrari _____
- SunBloc SB9000 _____
- SunBloc SB9100 _____
- "T" Screen by Mermet _____
- Terra by Mermet _____
- Vela by Mermet _____

**Please see Draper's Shade Fabric Reference Sheet for fabric colors and specifications.*

Select Hardware

- Brackets Only
- Fascia with Endcaps
 - Curved Fascia
 - Square Fascia
- Headbox with Endcaps
 - Curved Headbox
 - Square Headbox

Select Hardware Finish

- Clear Anodized (standard)
- Black Ivory
- White Bronze

Installation Information

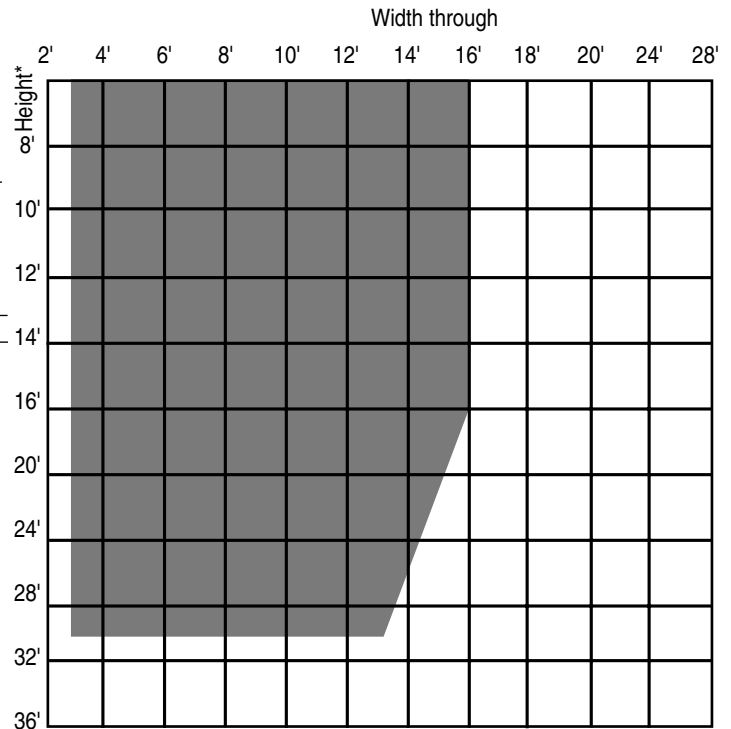
- Do any units abut at mullions? Which?

Select Operator Location

Select **right side (standard)** or left side as seen from inside the room, facing the window. Also indicate selection on Motorized FlexShade Room Schedule.

- Right Side (standard)
- Left Side

Maximum Sizes



** Please Note: Maximum shade height is limited by cloth weight and shade width, due to their impact on roller deflection, and by cloth thickness because of bundle diameter. Contact Draper to verify that your shade meets size requirements.*

Control Options

- 110-120V Wall Switch for Single Shade Control
- Low Voltage and/or Multiple Shade Control: *Please see Draper's IntelliFlex® Control System Selection Sheet and IntelliFlex Reference Sheet to design a control solution for this product. The forms are available at www.draperinc.com, or by contacting Draper.*

Select Fabric Orientation

- Regular Roll (from back of roller)
- Reverse Roll (from front of roller) [Available with brackets only]



PROJECT: _____

ARCHITECT: _____

CONTRACTOR: _____

SUPPLIER: _____

DATE: _____ REVISED: _____

Specifications

Equipment

Electric Operator: Drive unit inside roller, 4-wire, instantly reversible, lifetime lubricated. **Right hand motor location standard**, left hand available. Adjustable limit switches, thermal overload protector and electric brake. Operates on 110-120V AC 1 PH 60 HZ current. Draws 1.1 Amps. For controls, see IntelliFlex® Controls Reference Sheet and IntelliFlex Controls Planning Sheet.

Hardware

Rollers: Size-4" O.D. steel tube. Roller assembly easily removable.
Mounting Brackets: 1018 plated steel stamping, suitable for mounting to wall, ceiling, or jamb. Brackets do not require additional adapters.
Roller Idler Assembly: Zinc-plated steel shaft supported by roller bearings in an aluminum housing.

Slat: $1\frac{3}{16}$ " aluminum dowel, encased in heat sealed hem.

Endcaps: 1028 steel stamping. Complete with adapter roller bracket. Installs to wall, ceiling, or jamb. Accepts fascia or headbox. Clear anodized (standard), or black, white, ivory, or bronze powder coat finish available.

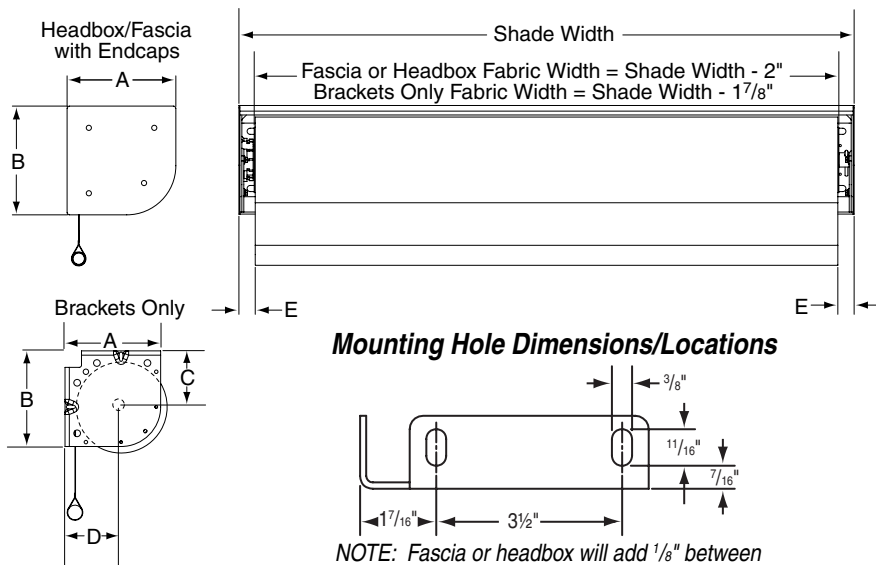
Fascia: $6\frac{1}{2}$ " x $6\frac{1}{2}$ " curved or square cover of extruded aluminum, .125 wall. Assembly snaps onto endcaps without exposed fasteners. Clear anodized (standard), or black, white, ivory, or bronze powder coat finish available.

Headbox: $6\frac{5}{8}$ " x $6\frac{5}{8}$ " curved or square fascia and L-shaped back/top cover to be fabricated of extruded aluminum. Clear anodized (standard), or black, white, ivory, or bronze powder coat finish available.

Please note: Dimensions of rollers, operators and hardware at manufacturer's discretion.

Downloadable 3-part specifications are available at www.draperinc.com.

FlexShade 2 Dimensions



Mounting Hole Dimensions/Locations

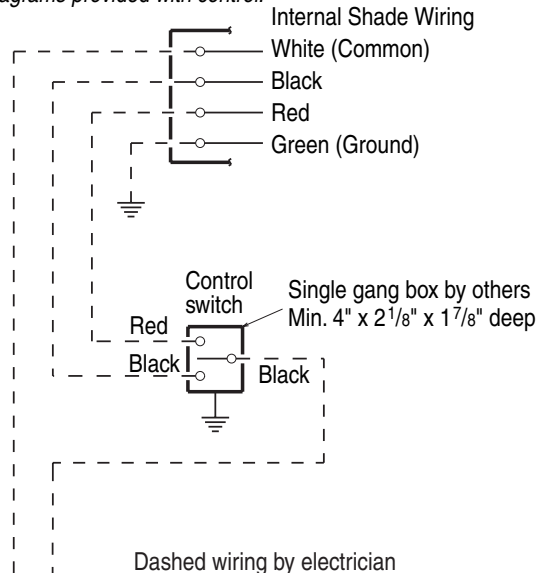
NOTE: Fascia or headbox will add $\frac{1}{8}$ " between the wall and the bracket; headbox will add $\frac{1}{16}$ " between ceiling or wall and the bracket.

	Headbox with Endcaps	Fascia with Endcaps	Brackets Only
A	$6\frac{5}{8}$ "	$6\frac{1}{2}$ "	$5\frac{7}{16}$ "
B	$6\frac{5}{8}$ "	$6\frac{1}{2}$ "	$5\frac{7}{16}$ "
C	N/A	N/A	$3\frac{1}{4}$ "
D	N/A	N/A	$3\frac{1}{4}$ "
E	1"	1"	$1\frac{5}{16}$ "

Please Note: Maximum bundle diameter is $5\frac{1}{4}$ " (with Headbox, Fascia or Brackets)

Single Shade Wiring Diagram

For multiple shades or low voltage wiring, please consult diagrams provided with control.



To 110-120V Line

NOTE: Test shade operation. If shade direction does not correspond with the switch orientation, turn power back off and switch the red and black wires from the motor to the switch.

FlexShade 2—Hardware/Parts

