

# Battery Powered FlexShade System by DRAPER

Please check all appropriate selections and attach room schedule with verified dimensions.

## Select Fabric\*

Color name, no. & openness

- CL8000 (Colony) \_\_\_\_\_
- "E" Screen by Mermet \_\_\_\_\_
- Flocké by Mermet \_\_\_\_\_
- Linen Veil by Newcastle \_\_\_\_\_
- "M" Screen by Mermet \_\_\_\_\_
- Obion by Mermet \_\_\_\_\_
- R1 by Mermet \_\_\_\_\_
- Roc-Rol by Rockland \_\_\_\_\_
- SheerWeave® Infinity \_\_\_\_\_
- SheerWeave® PW3500/4100/4400 \_\_\_\_\_
- SheerWeave® PW4500/4600 \_\_\_\_\_
- SheerWeave® PW4550/4650 \_\_\_\_\_
- SheerWeave® PW4800 \_\_\_\_\_
- SheerWeave® SW2000/2100 \_\_\_\_\_
- SheerWeave® SW2400/2500/2600/2900 \_\_\_\_\_
- Roc-Rol by Rockland \_\_\_\_\_
- SheerWeave® SW2700/2701 \_\_\_\_\_
- SheerWeave® SW3000 \_\_\_\_\_
- SheerWeave® SW5000 \_\_\_\_\_
- SheerWeave® SW7000 \_\_\_\_\_
- SheerWeave® SW71000 \_\_\_\_\_
- SilverScreen by Mermet \_\_\_\_\_
- Soltis 99® by Ferrari \_\_\_\_\_
- SunBloc SB9000 \_\_\_\_\_
- SunBloc SB9100 \_\_\_\_\_
- "T" Screen by Mermet \_\_\_\_\_
- Terra by Mermet \_\_\_\_\_
- Vela by Mermet \_\_\_\_\_

\*Please see Draper's Shade Fabric Reference Sheet for fabric colors and specifications.

## Select Hardware

- No Hardware (Motor only for retrofit)
- Brackets (left hand only)
  - Inside/Outside
  - Ceiling

- Optional Fascia with Endcaps
- Optional Surface Style Headbox

## Select Hardware Finish

- Clear Anodized (standard)
- Black  Ivory
- White  Charcoal Bronze

## Select Installation Option

- Inside (head/sill, jamb/jamb)
- Outside (overlap opening)
- Do any units abut at mullions? Which? \_\_\_\_\_
- Do any units install in pocket at ceiling? Which? \_\_\_\_\_

## Select Operator Location

Select right side (standard for fascia) or left side (required for brackets) as seen from inside the room, facing the window. Also indicate selection on room schedule.

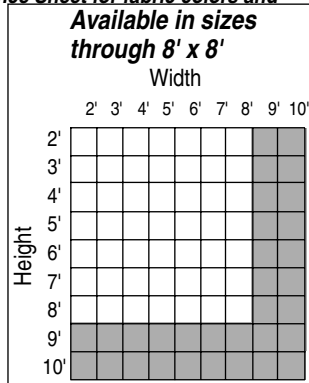
- Right Side
- Left Side

## Control Options

- 1-Channel Transmitter
- 4-Channel Transmitter
- 1-Channel Wall Switch
- 4-Channel Wall Switch
- Sun Sensor
- Programmable Timer

## Select Fabric Orientation

- Regular Roll (from back of roller)
- Reverse Roll (from front of roller) [Not available with surface headbox]



## Specifications

### Equipment

**Battery Operator:** Drive unit inside roller, instantly reversible, lifetime lubricated. **Right hand motor location standard.** Left hand motor location also available with endcaps. Limit switches adjustable using wall switch or remote control. Operates on power provided by two 12V battery wands. Can be retrofitted to Draper manual shades.

### Hardware

**Rollers:** 1½" dia., extruded aluminum. Roller assembly easily removable. **Mounting Brackets:** 1018 plated steel stamping universal bracket for mounting to wall, ceiling, or jamb. Brackets do not require additional adapters.

**Roller Idler Assembly:** Type 6/6 injected molded nylon and spring-loaded pin for easy installation and removal of the roller.

**Slat:** Aluminum, min. 1/8" x 1", encased in heat sealed hem.

**Endcaps:** 1028 steel stamping. 3¼" x 3¾". Complete with adapter roller bracket. Installs to wall, ceiling, or jamb. Accepts fascia or headbox. **Clear Anodized (standard)**, or black, white, ivory or bronze powder coat finish available.

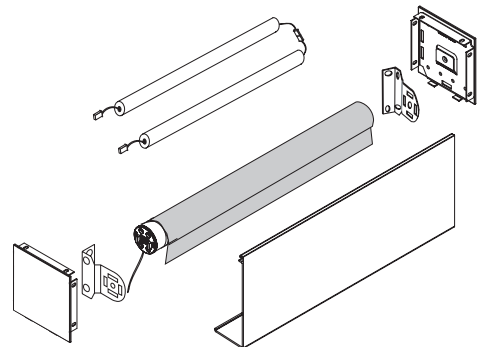
**Endcap Covers:** Plastic covers snap onto endcaps. Available in ivory, bronze, black or white to match fascia.

**Fascia:** L-shaped cover of extruded aluminum, .060 wall. Assembly snaps onto endcaps without exposed fasteners. **Clear Anodized (standard)**, black, white, ivory, or charcoal bronze finish available.

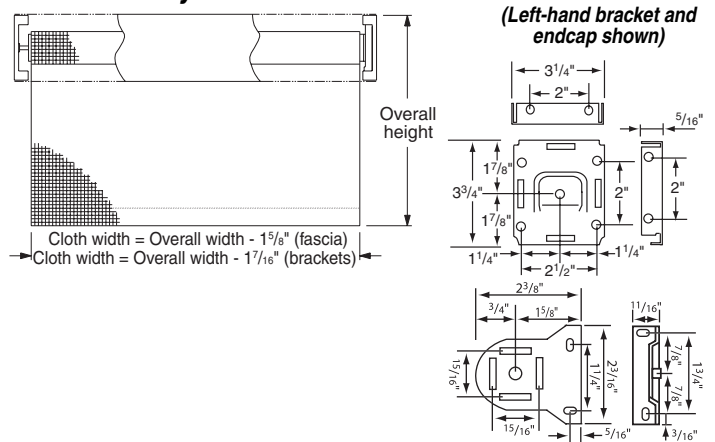
**Headbox:** Standard consists of fascia, L-shaped back/top cover. Assembly snaps onto endcaps. 3⅜" x 3⅞".

**Please note:** Dimensions of rollers, operators and hardware at manufacturer's discretion.

## Battery Powered FlexShade



## Battery Powered FlexShade Dimensions



411 S. Pearl St., Spiceland, IN 47385 USA ■ 765-987-7999

www.draperinc.com ■ fax 765-987-7142

Copyright © 2008 Draper Inc. Form BatteryPoweredFlexShade\_Sub08 Printed in U.S.A.

PROJECT: \_\_\_\_\_

ARCHITECT: \_\_\_\_\_

CONTRACTOR: \_\_\_\_\_

SUPPLIER: \_\_\_\_\_

DATE: \_\_\_\_\_ REVISED: \_\_\_\_\_

