

Access FlexShade System

Headbox Now,
Shade Later

by **DRAPER**

Please check all appropriate selections and attach room schedule with field verified dimensions:

Select Headbox Delivery Options:

- Headbox Now, Shade Later
- Complete Unit Now (including shade)

Select Installation Method:

- Suspended Mount
- Ceiling Surface Mount
- Wall Surface Mount

Select Headbox Options:

- Junction Box
- Endcaps

Select Operator:

- Electric Motor
 - Optional Junction Box: How Many? _____
- Clutch (see safety note on page 2)
 - Stainless Steel Bead Chain (standard)
 - Nylon Chain
 - Ivory
 - Grey
 - Black

Select Operator Location:

- Right Side (standard)
- Left Side

Size: _____

- IM*
- OM*

Select Control Options

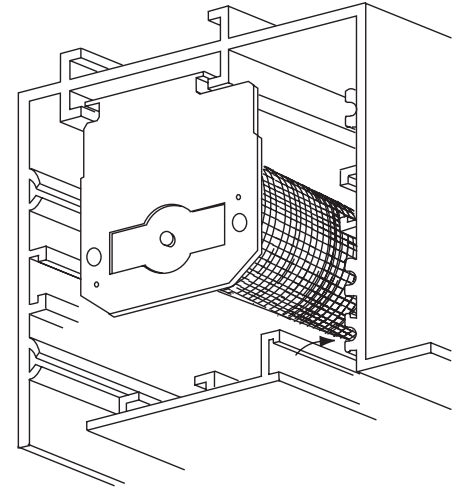
- 110-120V Wall Switch for Single Shade Control
- Low Voltage and/or Multiple Shade Control: **Please see Draper's IntelliFlex® Controls Reference Sheet to design a control solution for this product. The form is available at www.draperinc.com.**

* IM Measure—Draper makes deductions for clearance within opening.
OM Measure—No deduction made. Width shown will be overall dimension.

Select Fabric (indicate color/openness)*

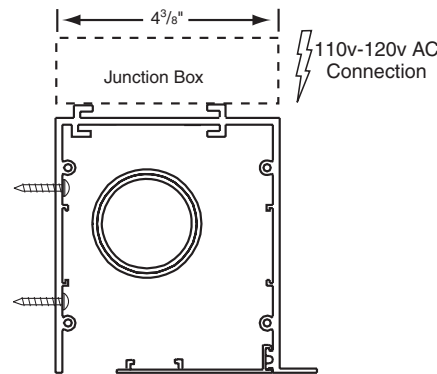
- "E" Screen by Mermet _____
- Flocké by Mermet _____
- "M" Screen by Mermet _____
- Obion by Mermet _____
- R1 by Mermet _____
- Roc-Rol by Rockland _____
- SheerWeave® Infinity _____
- SheerWeave® PW3500/4100/4400 _____
- SheerWeave® PW4500/4600 _____
- SheerWeave® PW4550/4650 _____
- SheerWeave® PW4800 _____
- SheerWeave® SW2000/2100 _____
- SheerWeave® SW2400/2500/2600/2900 _____
- SheerWeave® SW2700/2701 _____
- SheerWeave® SW3000 _____
- SheerWeave® SW5000 _____
- SheerWeave® SW7000 _____
- SheerWeave® SW7100 _____
- SheerWeave® SW7500 _____
- SilverScreen by Mermet _____
- Soltis 99® by Ferrari _____
- SunBloc SB9000 _____
- SunBloc SB9100 _____
- "T" Screen by Mermet _____
- Terra by Mermet _____
- Vela by Mermet _____

*Please refer to Draper's Shade Fabric Reference Sheet for specifications and available colors.

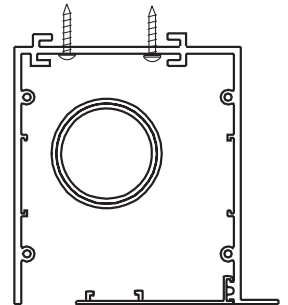


Methods of Installation

Wall Surface Mount

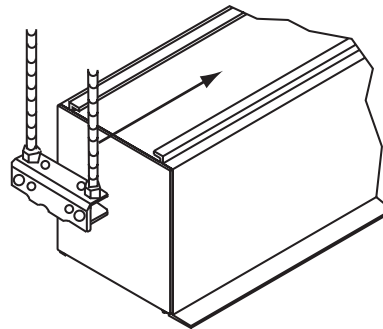


Ceiling Surface Mount (manual only)



Suspended Mount

Brackets rotate into slots, and can slide along case.



See Page 2 for specifications and dimensional drawings

DRAPER®

PROJECT: _____

ARCHITECT: _____

CONTRACTOR: _____

SUPPLIER: _____

DATE: _____ REVISED: _____

Specifications—Access FlexShade

Access Pocket

Pocket finished white. Back, top, and front of extruded aluminum. End cover of stamped steel. Bottom panel forms slot for passage of shade fabric, easily removable for access. Symmetrical housing to allow for left or right-hand motor location. Housing to include bottom flange along front for ceiling tile. Roller/fabric assembly may be factory installed or job site installed in housing. Brackets supporting roller/fabric assembly to slide in track inside top of case, allowing shade to be placed in desired position within pocket. Patent No. 6,421,175. Other patents pending.

Method of Operation

Electric Operator: 110-120V AC, 60 Hz. 3-wire motor mounted inside shade roller, instantly reversible, lifetime lubricated, with thermal overload protector and electric brake. Draws 1.1 amp. Preset, accessible limit switches. **Right hand motor location standard;** left hand available. Housing to feature external junction box, allowing it to be installed and wired to building supply wires at an early stage of construction. Junction box to have plug-in style connector, accepting the mating half of the connector from the motorized roller/fabric assembly. 3-position control switch (or switches-specify number) to stop or reverse screen at any point. Switch(es) furnished with cover plate.

Please note: For control options, please refer to IntelliFlex® Controls Reference Sheet.

Bead Chain Clutch Operator: High carbon steel and molded fiberglass-reinforced polyester thermopolymer (PBT). Bi-directional for mounting at either end of roller. Control loop, of any length, is a stainless steel or plastic bead chain. **Stainless steel is standard.** Plastic chain available in ivory, grey, black. Never needs adjusting. **Right hand control location standard;** left hand available.

Hardware

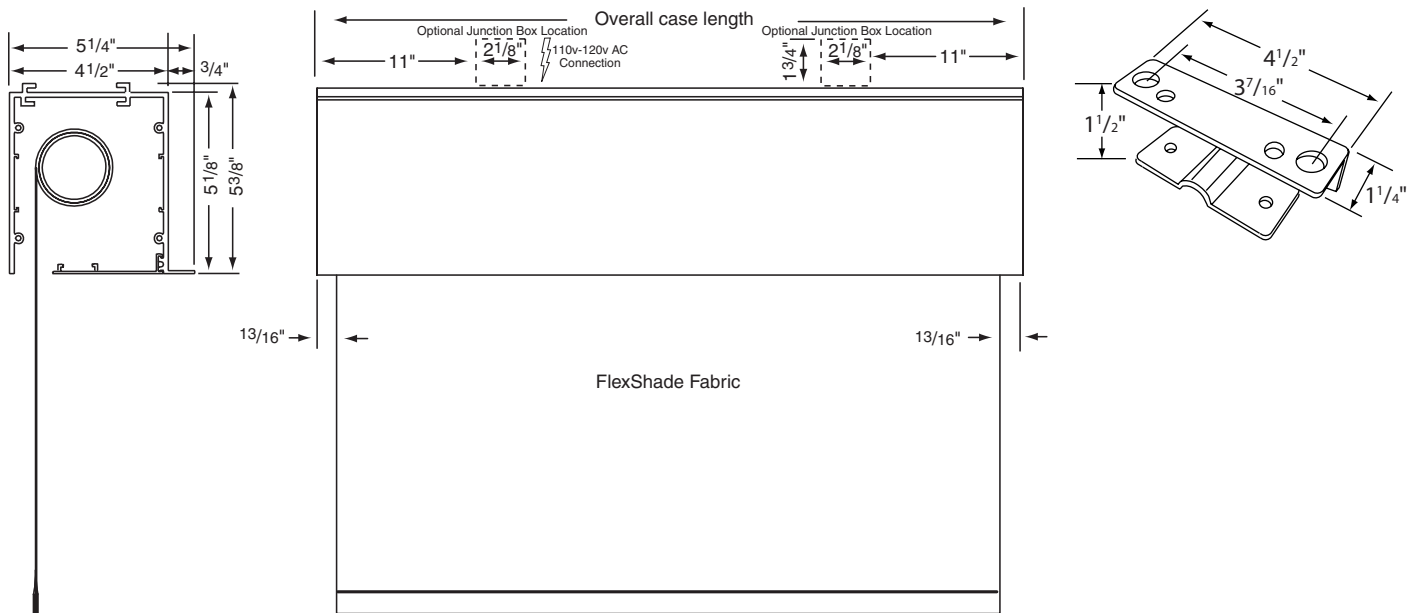
Rollers: Sizes 2" dia. x .080 wall, in steel or extruded aluminum. Roller assembly easily removable.

Mounting Brackets: Steel stampings, which twist into grooves in the top of the headbox and can then be slid into the proper locations. Patent No. 6,532,109.

Please note: For fabrics specifications, see Draper's Shade Fabric Reference Sheet.

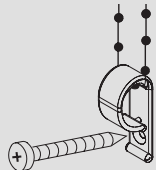
Downloadable 3-part specifications are available at www.draperinc.com.

Access FlexShade—Dimensions



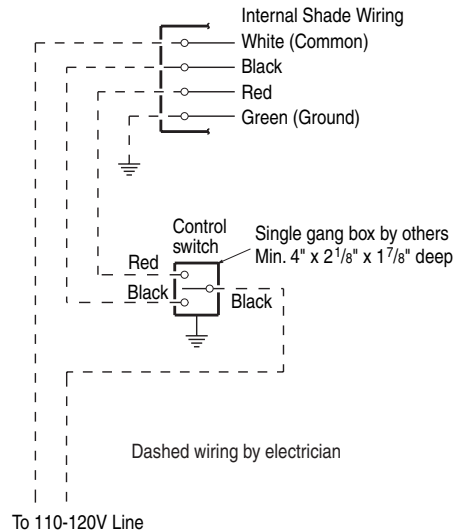
Safety Note for Bead Chain Clutch-Operated Shades

Please Note: If shades are to be installed in areas accessible to young children, be certain to use cord tension device included with Bead Chain Clutch shades. Clutch-operated shades should not be installed near cribs or playpens.



Access FlexShade—Single Shade Wiring Diagram

For multiple shade or low voltage wiring consult diagrams provided with control.



NOTE: Test shade operation. If shade direction does not correspond with the switch orientation, turn power back off and switch the red and black wires from the motor to the switch.