

Installation Instructions

Spring-Roller FlexShades by Draper

Caution

- ① Inspect all boxes to make sure you have received the proper shades & parts.
- ② Open cartons lengthwise.
- ③ All brackets, fascia, headboxes, pockets, wall clips, and other hardware must be installed level. Shades must be level and square.
- ④ Please follow installation guidelines carefully. Failure to do so invalidates warranty.

Mounting Brackets or Endcaps

- ① Mark wall, jamb or ceiling for placement of mounting brackets.
- ② Drill small starter hole (if necessary) in mounting surface.
- ③ Mount brackets using appropriate fasteners for surface (see Fig. 1 for bracket/endcap types).

Brackets/Endcaps

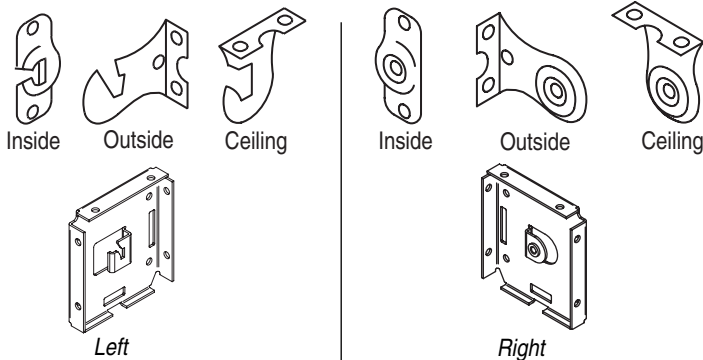


Figure 1

Shade Installation

Note: See Figure 3 below for specific operators.

- ① Place operator end onto its bracket.
- ② For bead chain, place spring-loaded pin into bracket, carefully depress pin by pushing the shade roller toward left bracket, slip notches on operator end into right bracket, then press down to lock in place. Be sure chain loops through two endcap slots closest to the wall (see Fig. 2). For cranks, place operator end first, then slide notched pin end into slot. For spring roller, place right (pin) end into bracket, then rotate spear end into left bracket.

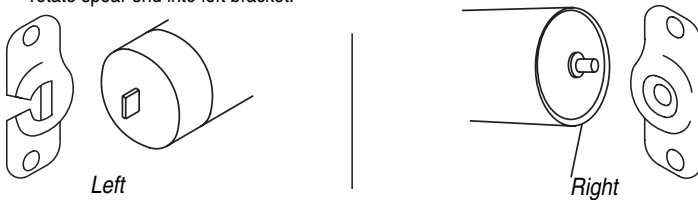


Figure 2

Please Note: If shade fabric is uneven, see "Troubleshooting".

- ③ For endcaps, snap end covers into place (see Fig. 3).

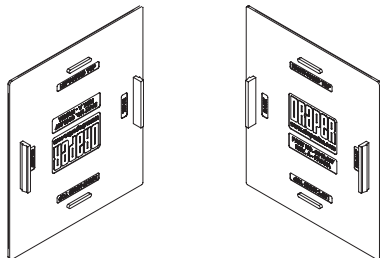


Figure 3

Fascia

- ① Snap end covers onto endcaps.
- ② Install endcaps and shade (see "Brackets/Endcaps" section).
- ③ Place groove along top of fascia over endcaps, and snap into place (see Fig. 4).

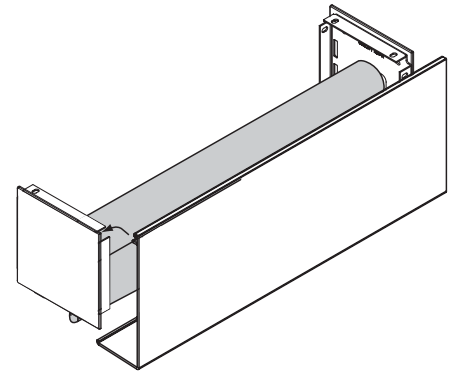
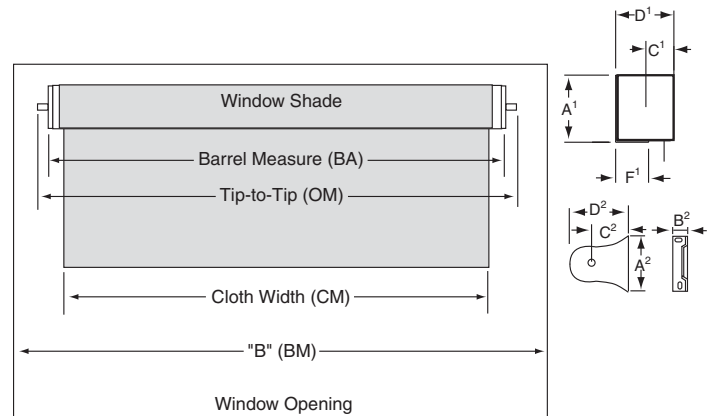


Figure 4

Field Adjustments

Each Draper Solar Control Shade is tested to ensure proper operation. Even with this testing, some field adjustments may be needed for telescoping. If the shade is telescoping, place a piece of high quality gaffer tape about 1" wide on the exposed roller (where the fabric will cover it) on the side that you want the fabric drawn toward. For example: if the fabric is tracking to the left, place the tape on the right side.

Dimensions



Headbox/Fascia with Endcaps		Brackets			
Small	Large	1½" Rlr	1¾" Rlr	2¼" Rlr	
A ¹ 3 ⁷ / ₈ "	A1 4 ⁵ / ₈ "	A2 1 ¹³ / ₁₆ "	A ² 1 ¹⁵ / ₁₆ "	A ² 2 ⁵ / ₈ "	
B ¹ N/A	B1 1 ¹ / ₁₆ "	B2 5 ⁵ / ₁₆ "	B2 ¾"	B 2 ⁷ / ₈ "	
C ¹ 1 ¹¹ / ₁₆ "	C1 1 ⁵ / ₈ "	C2 1 ⁵ / ₁₆ "	C2 1 ¹³ / ₁₆ "	C2 2 ²³ / ₁₆ "	
D ¹ 3 ³ / ₈ "	D1 4 ⁵ / ₈ "	D2 1 ³ / ₄ "	D2 2 ³ / ₈ "	D2 2 ⁷ / ₈ "	
F ¹ 2 ³ / ₈ "	F1 2 ⁵ / ₈ "	F2 N/A	F2 N/A	F2 N/A	

Cleaning and Maintenance

Window covering products manufactured by Draper, when properly installed, should require no operational maintenance or lubrication.

Most of Draper's standard fabrics may be cleaned at the window by vacuuming with a soft brush attachment. They may also be cleaned by using a sponge or soft cloth and mild solution of warm soapy water. A dishwashing liquid, such as Ivory liquid, is recommended. A clean dry cloth is recommended for the metal finish. **Exceptions are Flocké and Roc-Rol fabrics, which must be cleaned with a dry art sponge.**

DRAPER

411 S. Pearl St., Spiceland, IN 47385 USA ■ 765-987-7999

www.draperinc.com ■ fax 765-987-7142

Copyright © 2007 Draper Inc. Form SpringRollerFlexShade_Inst07-R Printed in U.S.A.

If you encounter any difficulties installing or servicing your Spring-Roller FlexShades, call your dealer or Draper, Inc. in Spiceland, Indiana, 765-987-7999, or fax 765-987-7142.