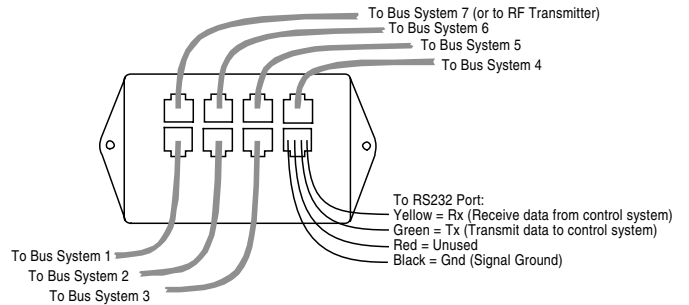


# IntelliFlex™ R2D7 RS232 Professional Integration Interface by Draper

## Installation Instructions

### Please Note

- ① Includes free "GUI" software capable of scheduling timed events and global alignment positioning of shades.
- ② For information on programming and operation, see IntelliFlex Programmer instructions available at [www.draperinc.com](http://www.draperinc.com).
- ③ This input device can be used with SC1, SGC4 or SPGC4.



### Codes and Technical Information

Serial Port to Motor Link		
Information	Data	Number of characters <sup>1</sup>
Header (Start of command)	* (asterisk) for use on RP B US	1
Subsystem number or Administration command	0 <sup>2</sup> – 7 if BUS, 7 – 99 if Radio V <sup>3</sup> = report version R = make port 7 Radio <sup>4</sup> B = make port 7 BUS	1 or 2
Command <sup>5</sup>	o = open    c = close    s = stop p = program    q <sup>6</sup> = quit sending	1
Channel <sup>7</sup>	00 <sup>8</sup> – 60 <sup>9</sup>	2
Time to send <sup>10 11</sup>	0 0 0 <sup>12</sup> – 9 9 9    20 <sup>th</sup> of seconds <sup>13</sup> (this value is optional)	3
Terminator	; (semicolon) or "CR" (enter key)	1
Pause	Send a command on an unused channel for the desired pause time.	

Motor Link to Serial Port	
Event	R2D7 sends
Powered up	"version, X -on"
Terminator is received	"LF" if good command "U" sent if command cannot be understood "CR" is sent after command has been relayed to motors
Buffer <sup>14</sup> overflows and all data is purged	"O" is sent
Buffer is half full	"X -off" (Ctrl -S)
Buffer is empty	"X -on" (Ctrl -Q), but only if X -off was previously sent

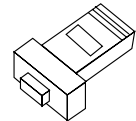
Special characters		
Character	Description	ASCII Character Number
" ; "	Semicolon, signifies end of command	59 (0x3B)
" CR "	Carriage return, signifies end of command	13 (0x0D)
" * "	Asterisk, Shift 8 on most keyboards	42 (0x2A)
" LF "	Line feed, ignored (not used)	10 (0x0A)
" X -off "	Ctrl -S on most keyboards, requests sender to stop sending	19 (0x13)
" X -on "	Ctrl -Q on most keyboards, requests sender to resume sending	17 (0x11)

1. Total message length may be as short as 2 and as long as 10 characters, typically 6.
2. 0 means ALL systems, for super groups ALL does not include the radio channels.
3. Version reports "2.1" then R if administered as Radio, or B if BUS, followed by carriage return (All characters after V in this command are ignored).
4. Radio requires a RF™ be plugged into port 7 jack.
5. Case is important: o is different from O and so on.
6. Stop sending a forever command. Any other command will stop transmission, but an error will be reported.
7. If command is stop or quit, then this value is optional and ignored.
8. 00 = ALL.
9. 60 = "cut strap ALL" (note that version 2.0 used 25 for this channel).
10. If no digits, then the command is sent for 2 seconds, except for stop and program which are sent for ¼ second.
11. Time between commands = .5 sec if multiple commands are buffered (Time = .1 sec after a stop).
12. 000 = Forever, use the q command to stop transmission.
13. Max timed pulse = 50 sec. If this is a radio command, the value is rounded up to the nearest 10th second.
14. Buffer is 120 bytes long.

### You may also need ...

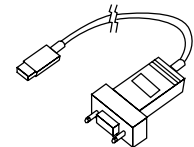
#### Serial Port Adapter

Converts a standard DB9 serial output of a PC into an RJ11 connection providing RS232 serial commands.



#### USB-to-DB9 Serial Port Converter

Serves as a bridge between USB port and standard RS232 Serial Port.



# DRAPER

411 S. Pearl St., Spiceland, IN 47385 USA ■ 765-987-7999 ■ fax 765-987-7142

e-mail [draper@draperinc.com](mailto:draper@draperinc.com) ■ [www.draperinc.com](http://www.draperinc.com)

Copyright ©2004 Draper Inc. Form IntelliFlex-RS232\_Inst04 Printed in U.S.A.

If you encounter any difficulties installing/wiring your IntelliFlex RS232 Professional Integration Interface, call your dealer or Draper, Inc., Spiceland, Ind., (765) 987-7999; fax (765) 987-7142; or e-mail [draper@draperinc.com](mailto:draper@draperinc.com).