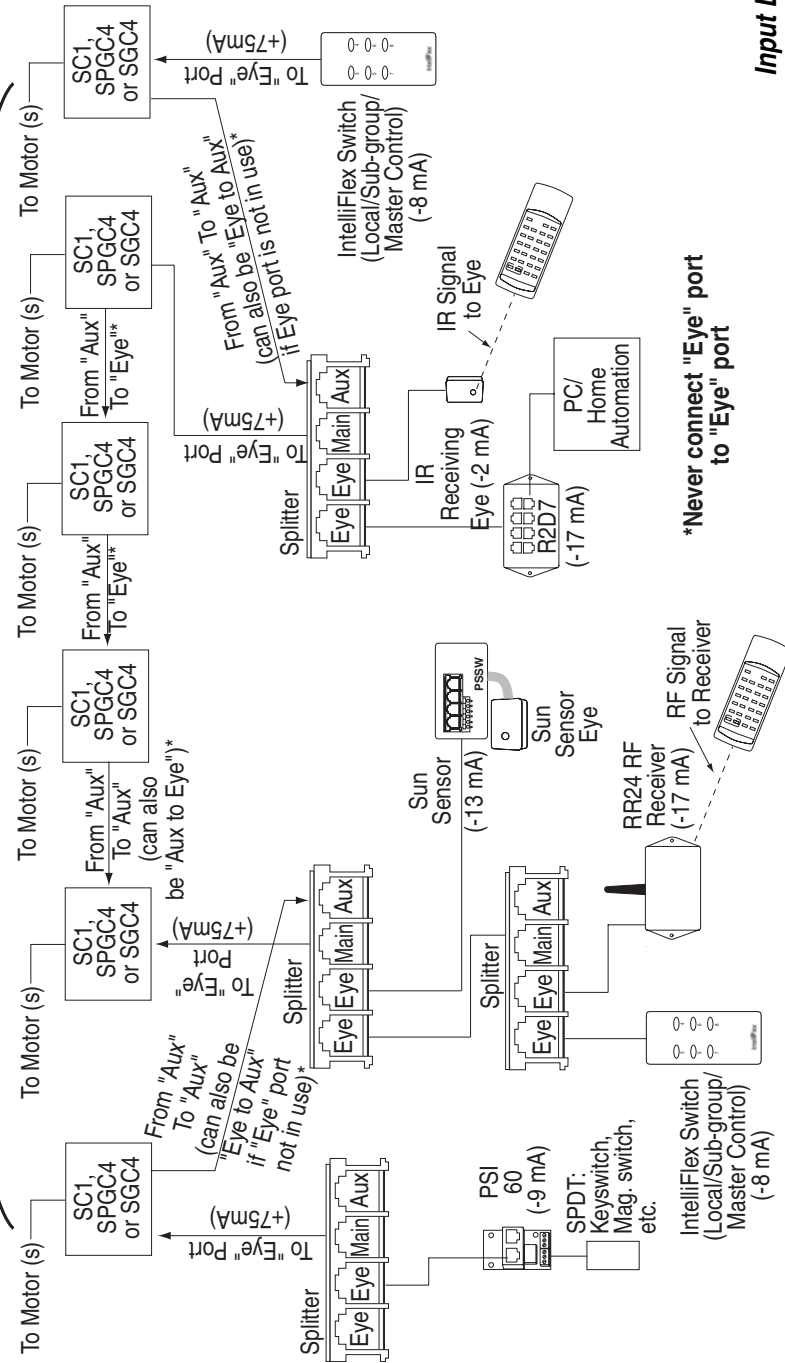


Input Device Sample Configuration IntelliFlex™ by Draper

1 sample "Bus" System shown (motors on line voltage side). Multiple "Systems" may be combined and "linked" in an installation.

Notes on Cable Lengths:
You can have a total of approximately 100 feet of cable between SC1s, up to a maximum of 1000 feet. However, any device that includes a Repeater can drive 1000 feet of cable regardless.

IR Eyes have no circuit board and can only drive about 20' of cable.



***Never connect "Eye" port to "Eye" port**

Please Note:
Wiring diagrams are available for each control and input device at www.draperinc.com.

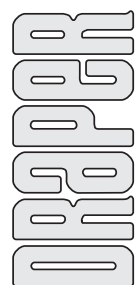
Notes on Power Consumption:

Any input device may be connected to any available Eye port. All Eye ports are "powered" by the "SC1" they feed off of. Each SC1 Eye port provides 75 milliAmps at 5v of power to the connected input devices. You may attach any combination of input devices to an SC1 Eye port, as long as the **combined** power requirements do not exceed the available power from the SC1 (see chart below).

Input Device Power Consumption Chart

Input Device ¹	Power Consumption (milliAmps)
RF Remote Receiver	17
IR Receiver Eye	2
Sun Sensor	13
IntelliFlex Bus Switch	8
IntelliFlex RF Switch (not on Bus)	0
IntelliFlex Dry Contact Switch (not on Bus)	0
PSI60	9
R2D7 (RS232 Translator)	17
Hardwired Keypad	1
RF Keypad (not on Bus)	0

¹ IR Eye can drive a maximum of 25 SC1s. Other accessories can drive a maximum of 70 SC1s.



411 S. Pearl St., Spiceland, IN 47385 USA ■ 765-987-7999
www.draperinc.com ■ fax 765-987-7142

Copyright ©2007 Draper Inc. Form IntelliFlex-InputDeviceConfig07 Printed in U.S.A.