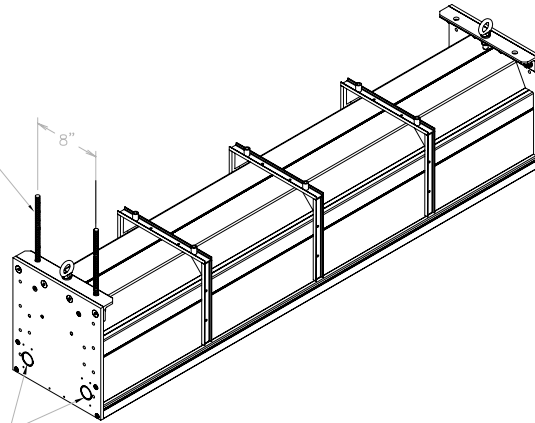
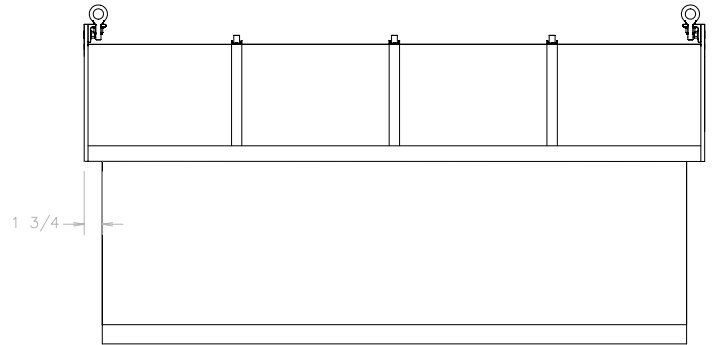
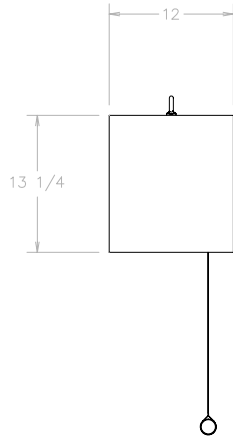
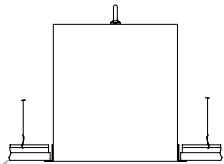


Shown with 1/2" threaded rod (by others).
Other mounting hardware options feasible.



Conduit connection on
left end of case.

Ceiling Tile
by others



DRAPER

Colossal Flexshade

DRAPER, Inc., 411 S. Pearl Street, Spiceland, Indiana 47385
EMAIL drapercontract@draperinc.com, PH 765-987-7999, FAX 866-637-5611