

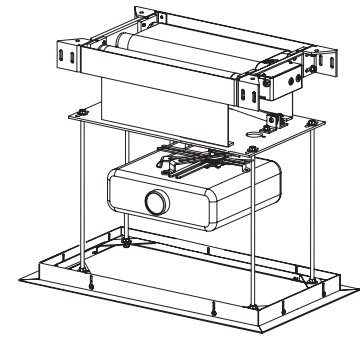


AeroLift—The cleverly designed AeroLift keeps overall footprint and height to a minimum. The smallest model, AeroLift 25, actually installs easily between standard 2" thick ceiling joists on 16" centers! Choose your model based on desired weight capacity: 25, 50 or 150 pounds. The AeroLift is powered by a motor-in-roller design, and features a stabilizing arm which can also be used for cable management.

Built-in adjustability allows you to deal with job site conditions quickly and easily. Projector may be mounted flush to bottom pan or use with SMS Low Profile Mount (shown). The SMS Low Profile Mount enables instant registration of projected image.

Note: The AeroLift may also be used to recess speakers, security cameras, videoconferencing cameras or document cameras.

Options: See page 84 for control options.



Shown with optional closure panel

Model	Lifting Capacity (lbs.)	Travel Distance	Part No.	PRICE	Shipping Wt./lbs.	Freight Class
AeroLift 25	25	20"	300220	\$2500	49	85
AeroLift 50	50	32"	300225	3500	76	85
AeroLift 150	150	32"	300227	4417	98	85

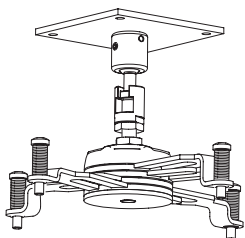
AeroLift Optional Accessories

Accessory Description	Part No.	PRICE	Shipping Wt./lbs.
For AeroLift 25			
Small Environmental Airspace Housing — 14 9/16" x 23 7/8"	300222	\$834	25
Small Ceiling Closure Panel — 15 5/8" x 25"	300223	542	10
Small Ceiling Finish Kit	300224	756	15
Large Environmental Airspace Housing ^A — 23 1/2" x 23 1/2"	300200	1067	59
Ceiling Closure Panel ¹	300201	542	39
Ceiling Finish Kit ¹ (Closure and trim ring)	300202	909	52
For AeroLift 50			
Environmental Airspace Housing	300229	\$1067	110
Ceiling Closure Panel	300332	667	25
Ceiling Finish Kit (Closure and trim ring)	300333	909	40
For AeroLift 150			
Environmental Airspace Housing	300330	\$1067	125
Ceiling Closure Panel	300331	667	35
Ceiling Finish Kit (Closure and trim ring)	300334	958	50
For All AeroLifts			
SMS Low Profile Mount	232167	\$135	6
Ceiling Access Door for above-ceiling access. White Finish. (Description on page 78)	300007	333	30
Ceiling Access Door to accept ceiling tile for above-ceiling access. (Description on page 78)	300008	583	30

¹For 2' x 2' grid ceiling (same as Micro Projector Lift option).

SMS Low Profile Mount—Fixed mount attaches projector to lift. Designed to work inside Draper's LCD Lift, Scissor Lift, Micro Projector Lift and AeroLift. Total height of SMS Low Profile Mount and Universal Bracket* is 4 7/8". Ball joint adjusts infinitely up to 30° pitch, 30° roll and 360° yaw. Maximum load—26 lbs. Price includes SMS Universal Projector Bracket*. Silver finish.

Part No.	PRICE
232167	\$135



*The SMS Universal Projector Bracket fits the vast majority of LCD/DLP projectors designed for inverted mounting with threaded mounting holes, and accommodates more than 90% of projector installations. If unsure, refer to <http://www.draperinc.com/go/UniversalProjectorBracket.htm> or call us at 800-238-7999.

Freight Class Key
Number LTL freight class
U Regular UPS
+ \$6 surcharge (over 60" long)
Example: a freight code of 12S U+ indicates an item that may ship as freight class 12S or via UPS with a \$6 surcharge.