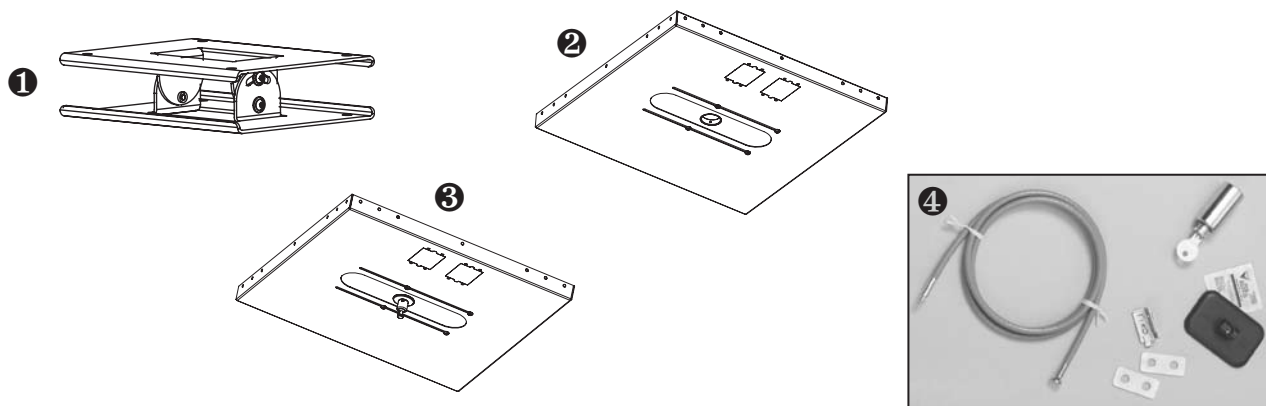
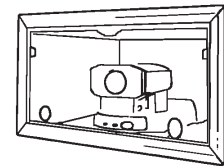


Accuset Optional Accessories

Description	Part No.	PRICE	Shipping Wt./lbs.	Freight Class
Accuset Angled Ceiling Plate —8" x 6" x 2" (w x l x h) plate attaches to vaulted or angled ceilings. Adjusts from 0–25° allowing the projector to remain level. Must be used with Accuset Ceiling Plate. ①	232400	\$ 67.00	4	50 U
Accuset Suspended-Ceiling Panel —1 ½" Accuset pipe will attach directly to threaded opening. Steel panel suspends from structure to fit within 2' x 2' ceiling grid. 23 ¾" x 23 ¾" white panel provides 10" of overall lateral adjustment for precise projector placement. ②	232421	108.00	18	50 U
Accuset Suspended-Ceiling Panel —2" Accuset pipe will attach directly to threaded opening. <i>See above for full description.</i> ②	232422	108.00	18	50 U
Accuset Low Profile Suspended-Ceiling Panel —Steel panel suspends from structure to fit within 2' x 2' ceiling grid. 23 ¾" x 23 ¾" white panel provides 10" of overall lateral adjustment for precise projector placement, plus a ball joint for attaching an Universal Projector Bracket (order separately). ③	232423	142.00	18	50 U
Security Lock Kit —6' cable, key lock, flexible adhesive pad and microslot lock to keep your projector safe and secure. ④	232076	83.00	2	50 U
Escutcheon Ring —Chrome ring trims ceiling hole around your mount for 1 ½" NPT pipe.	232418	17.00	2	50 U
Escutcheon Ring —Chrome ring trims ceiling hole around your mount for 2" NPT pipe.	232419	17.00	2	50 U
Projector Shelf —Holds projectors up to 11 ¾" x 14 ¾" x 7 ¾" (w x d x h) and up to 26 lbs. Provides platform for projector.	232075	279.50	15	50 U



VideoConferencing Camera Box—Draper's VideoConferencing Camera Box allows the camera to be recessed in the wall, behind a hinged, tempered glass door. The glass is tilted slightly forward to minimize glare. Cold-rolled steel finished with black powder coat. Four convenient cable exits make wire management a simple proposition. The VideoConferencing Camera Box is suitable for use with thin panels or gypsum board wall openings, features a finishing frame bezel that is self-trimming and mounts in any opening utilizing built-in "quick clamps."



Locking Camera Box includes a locking door to protect your sensitive equipment. Two keys provided.

Model	Enclosure Size (H x W x D)	Part Number	PRICE	Shipping Wt./lbs.	Freight Class
Camera Box	8 5/8" x 16 3/8" x 11"	125201	\$417	14	60
Locking Camera Box	8 5/8" x 16 3/8" x 11"	125203	542	16	60

Information and prices subject to change without notice.

Freight Class Key

Number LTL freight class
U Regular UPS
+ \$6 surcharge (over 60" long)

Example: a freight code of 125 U+ indicates an item that may ship as freight class 125 or via UPS with a \$6 surcharge.