



**Specifications—SMS Flatscreen Wall Mounts for Plasma Displays**

SMS Flatscreen Wall Mounts for Plasma Displays, model (WH 3D/WH T 2/WH ST 400/WH ST 1150/WFH ST 2000/WH ST), by Draper, Inc., of Spiceland, Indiana.

**Universal Plasma Bracket:** shall be provided for any plasma display through 50" diagonal and under 100 lbs. Bracket shall be of steel, with anodized aluminum finish, and shall feature keystone-shaped mounting panel which will slide into steel mating bracket on SMS Flatscreen Mounts for easy, safe and sturdy mounting. Universal Plasma Bracket to have both landscape and portrait orientation capabilities. Hardware for attaching bracket to plasma display provided by Draper—a full set of screws, washers, extenders, spacers, Extension Plates and Extension Arms to fit virtually any plasma model. Universal bracket shall be compatible with all SMS Flatscreen Mounts for Plasma Displays.

**Plasma-specific Bracket:** shall be provided for any plasma display over 50" diagonal and over 100 lbs. Bracket shall be of steel, with anodized aluminum finish, and shall feature keystone-shaped mounting panel which will slide into steel mating bracket on all SMS Flatscreen Mounts for easy, safe, and sturdy mounting. Hardware for attaching bracket to plasma display provided by Draper. Bracket shall be compatible with all SMS Flatscreen Mounts for Plasma Displays.

**WH T 2:** Extremely low profile, protruding approximately 1" from wall. Wall mount and tilting mechanism shall be of steel, with anodized aluminum finish. Unit shall be securely attached to mounting surface using two angles, spaced so that fasteners are 16" apart on center. Tilting mechanism shall feature mating bracket to accept mounting panel of Draper's keystone-shaped slide on Universal Plasma Bracket or plasma-specific mounting bracket. Unit shall allow 10° tilt, and feature a safety lock to keep plasma display in place. Tilting mechanism shall also lock into place for non-tilting installations. Will accommodate virtually any display up to 330 pounds.

**WH 3D:** Articulating wall mount collapses to depth of 4" (minus plasma display and bracket). The articulating arm extends the display up to 26" from wall, and allows swivel left and right as far as the wall will allow. Mating bracket to accept mounting panel of Draper's keystone-shaped slide on Universal Plasma Bracket or plasma-specific mounting bracket. Display can be tilted 10°. Will accommodate virtually any display up to 100 lbs.

**WH ST:** Swiveling wall mount shall be of steel, with anodized aluminum finish, and shall be attached to mounting surface using steel mounting plate, allowing bracket to swivel approximately ±90° (depending on size of plasma display). Steel tilting mechanism shall feature mating bracket to accept mounting panel of Draper's keystone-shaped slide on Universal Plasma Bracket or plasma-specific mounting bracket. Unit shall allow 15° tilt and 360° rotation, and feature safety screws to keep plasma display in place. Will accommodate virtually any display up to 165 pounds.

**WH ST 400:** Wall mount shall be extruded aluminum pillar, with anodized aluminum finish. Pillar shall be securely attached to mounting surface using two steel mounting plates. Steel tilting mechanism shall feature mating bracket to accept mounting panel of Draper's keystone-shaped slide on Universal Plasma Bracket or plasma-specific mounting bracket. Display can be mounted horizontally or vertically. Unit shall allow 15° tilt and 20° rotation, and feature safety screws to keep plasma display in place. Will accommodate virtually any display up to 330 lbs.

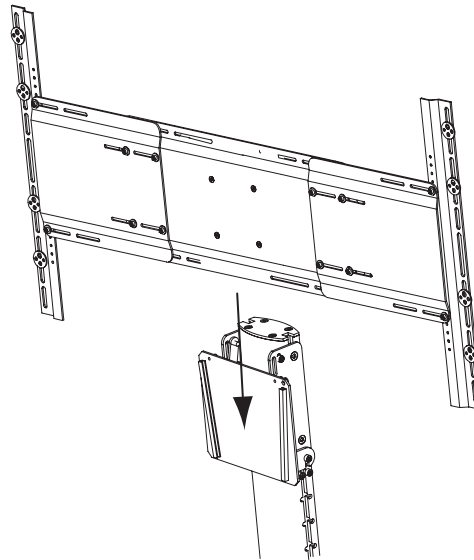
**WH ST 1150:** Wall mount shall be extruded aluminum pillar with anodized aluminum finish. Pillar shall be securely attached to mounting surface using two steel mounting plates. Steel tilting mechanism shall feature mating bracket to accept mounting panel of Draper's keystone-shaped slide on Universal Plasma Bracket or plasma-specific mounting bracket. One or two displays can be mounted horizontally or one can be mounted vertically. Unit shall allow 15° tilt and 20° rotation, and feature safety screws to keep plasma display in place. Display can be raised or lowered up to 33½" in 2" increments. Discrete cable track located on sides of support pillar. Will accommodate virtually any display up to 330 lbs.

**WFH ST 2000:** Wall/Floor mount shall be pillar of extruded aluminum, with anodized aluminum finish. Pillar shall be securely attached to wall and floor using two steel mounting plates. Steel tilting mechanism shall feature mating

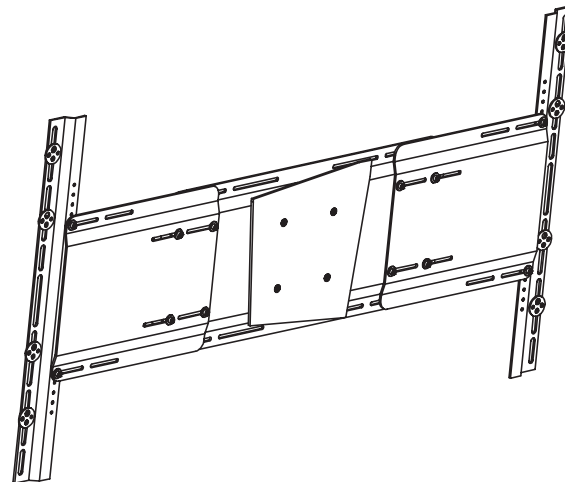
bracket to accept mounting panel of Draper's keystone-shaped slide on Universal Plasma Bracket or plasma-specific mounting bracket. Up to three displays can be mounted horizontally or up to two can be mounted vertically, depending on display sizes. Unit shall allow 15° tilt (except when more than one display is mounted) and 20° rotation, and feature safety screws to keep plasma in place. Discrete cable track shall be located on sides of support pillar. Will accommodate virtually any display up to 660 pounds (total weight of all displays).

**Options:** Universal Plasma Bracket fits plasma displays through 50" diagonal. Shelves for mounting DVD, VCR, videoconferencing camera or other accessories above or below plasma display optionally available with WH ST 1150 & WFH ST 2000. Available in grey or black. Shelves can be raised or lowered in 2" increments. SMS Security Lock Kit allows plasma displays to be secured to SMS Flatscreen Mount for Plasma Displays; kit includes adhesive pad, (2) loopers, 6' cable and key lock. SMS FPD Adapter allows you to use plasma mounts for LCD/TFT flat panel displays.

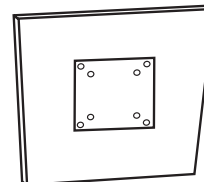
**Exclusive Keystone Mounting Bracket-to-Mount**



**Exclusive Universal Plasma Display Bracket**

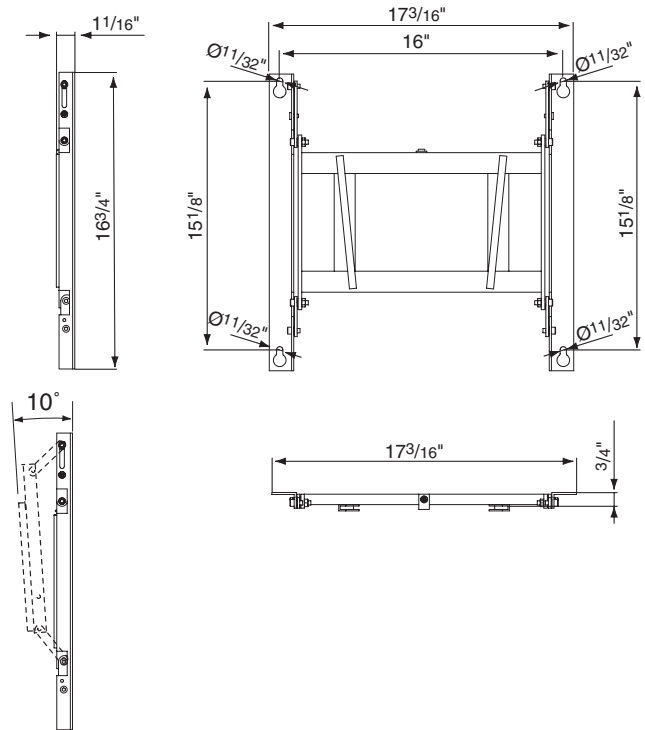


**FPD Adapter (for mounting Flat Panel Displays)**

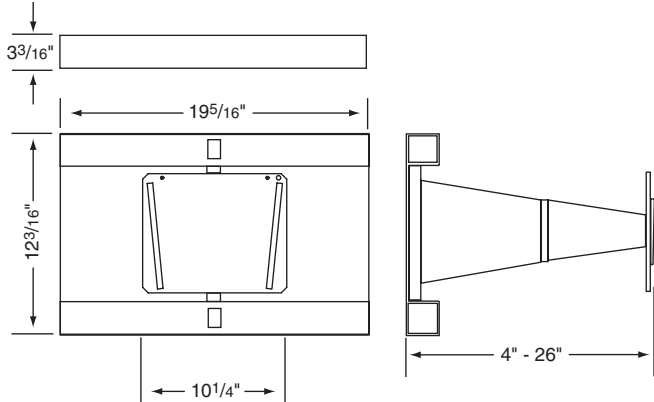


**Dimensions**

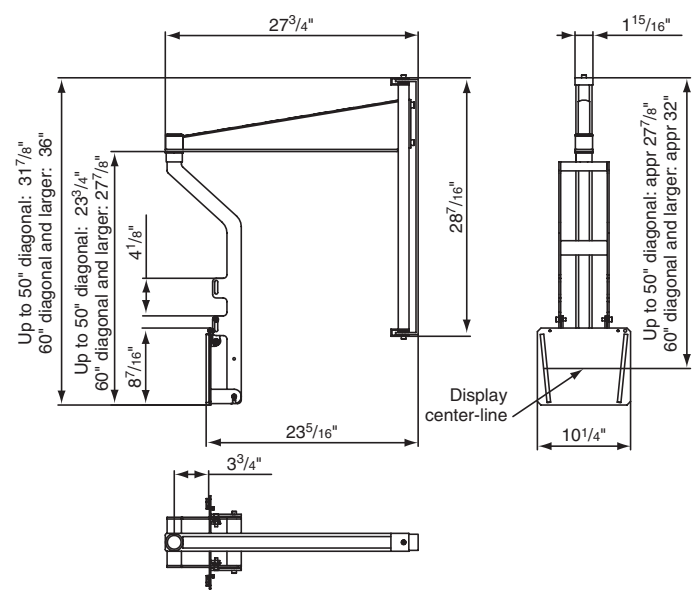
**WHT 2**



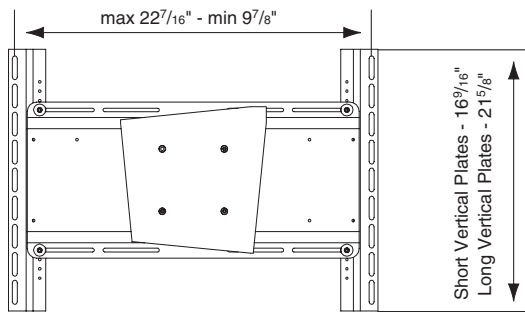
**WH 3D**



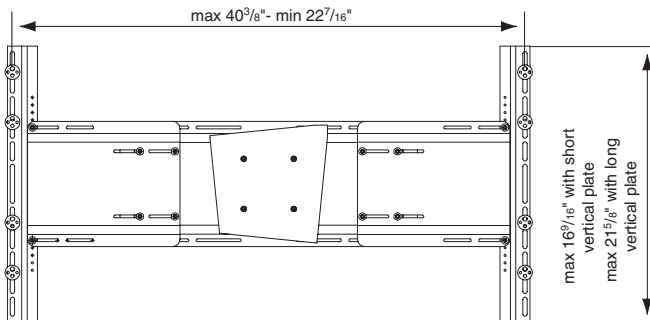
**WH ST**



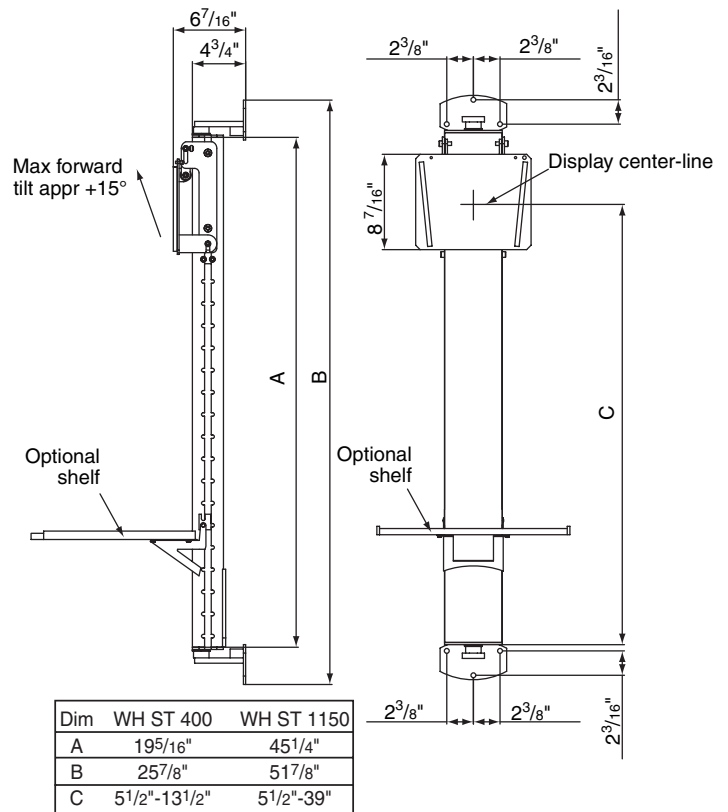
**Universal Plasma Bracket**



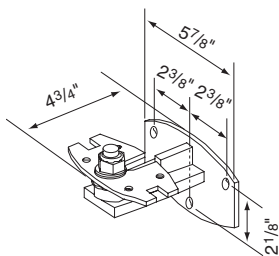
**Universal Plasma Bracket with Extensions**



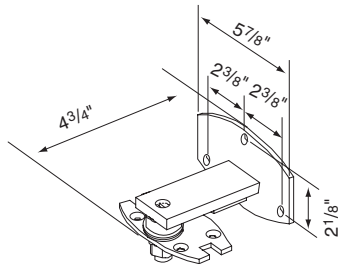
**WH ST 400, WH ST 1150**



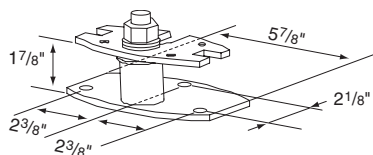
**Lower Wall Plate**



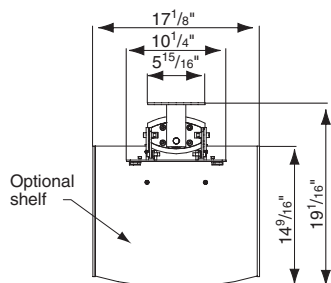
**Upper Wall Plate**



**Floor Plate for WFH ST 2000**



**Optional Shelf (WH ST 1150 and WFH ST 2000 only)**



**WFH ST 2000**

