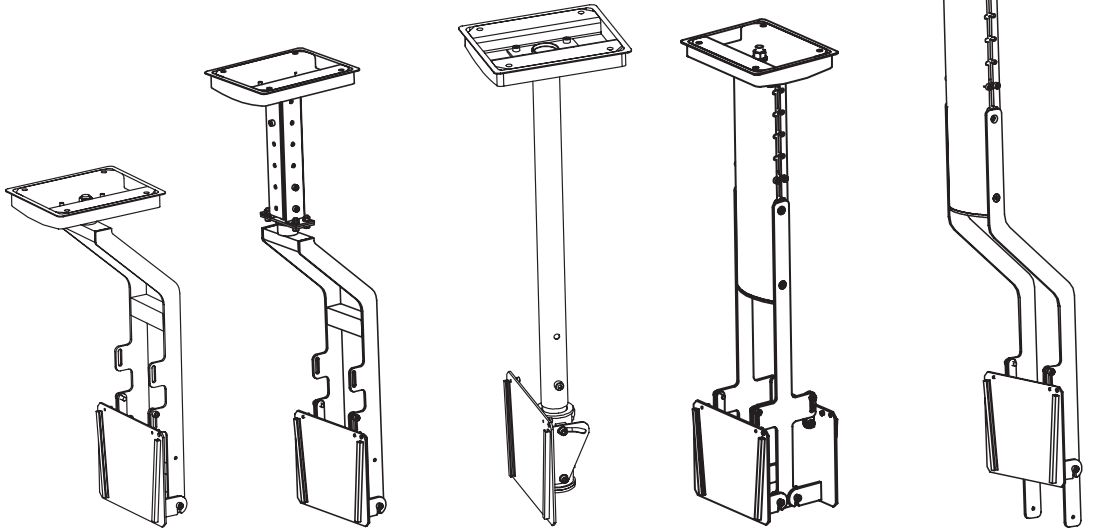


# SMS Flatscreen Ceiling Mounts

by DRAPER



CH VST (Fixed)\* CH VST (Extension)\* CH VST2 CH STD400/1150 CH ST400/1150

\* CH VST automatically provided with extension column; column use is optional according to installation requirements

**Please Mark Appropriate Selections**

Plasma Display Model\*: \_\_\_\_\_

**How Will Display (s) Be mounted?**

- Horizontal (Landscape)     Vertical (Portrait)

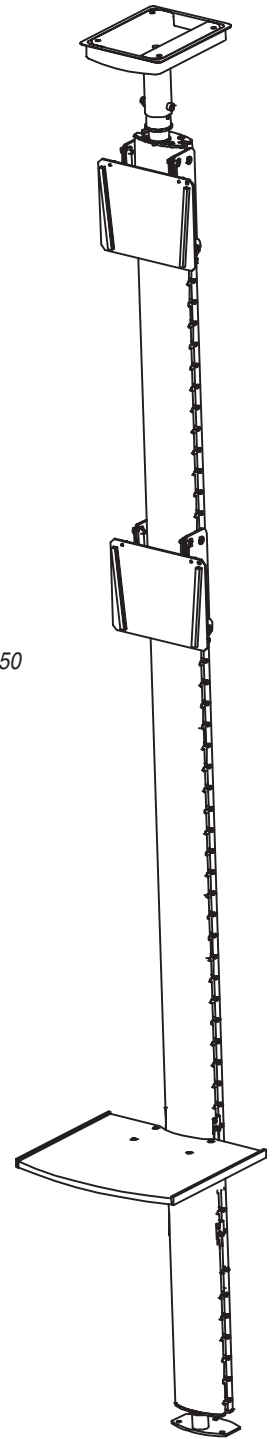
**Select Mount (See back side for details of each model):**

- CH VST2            Quantity \_\_\_\_\_
- CH ST400            Quantity \_\_\_\_\_
- CH ST1150            Quantity \_\_\_\_\_
- CH STD400            Quantity \_\_\_\_\_
- CH STD1150            Quantity \_\_\_\_\_
- CFH ST3000            Quantity \_\_\_\_\_
- CH VST                Quantity \_\_\_\_\_

**Options**

- Universal Bracket (available for Plasma Displays through 50" diagonal)
- SMS Security Lock Kit
- SMS FPD Adapter for LCD/TFT flat panel displays
- Shelves (for CH ST1150 & CFH ST3000)  
Number of shelves: \_\_\_\_\_  
Shelf Finish:  
 Black  
 Grey
- Additional brackets and bracket adapters for multiple displays on CFH ST 3000. Quantity (up to 3): \_\_\_\_\_

\*Draper uses this information to provide either the Universal Bracket or the custom bracket appropriate to your plasma display. If this information is not available at time of order, it may be provided later.



CFH ST3000

DRAPER

411 S. Pearl St., Spiceland, IN 47385 USA ■ 765-987-7999 ■ fax 765-987-7142  
e-mail draper@draperinc.com ■ www.draperinc.com

Copyright © 2006 Draper Inc. Form SMSFlatscreenCeiling\_Sub06 Printed in U.S.A.

PROJECT: \_\_\_\_\_  
 \_\_\_\_\_  
 ARCHITECT: \_\_\_\_\_  
 CONTRACTOR: \_\_\_\_\_  
 SUPPLIER: \_\_\_\_\_  
 DATE: \_\_\_\_\_ REVISED: \_\_\_\_\_

**Specifications—SMS Flatscreen Ceiling Mounts**

SMS Flatscreen Ceiling Mounts, model (CH VST2/CH ST400/CH STD400/CH ST1150/CH STD1150/CFH ST3000/CH VST), by Draper, Inc., of Spiceland, Indiana.

**Universal Plasma Bracket:** shall be provided for any plasma display through 50" diagonal and under 100 lbs. Bracket shall be of steel, with anodized aluminum finish, and shall feature keystone-shaped mounting panel which will slide into steel mating bracket on SMS Flatscreen Ceiling Mounts for easy, safe and sturdy mounting. Universal Plasma Bracket to have both landscape and portrait orientation capabilities. Hardware for attaching bracket to plasma display provided by Draper—a full set of screws, washers, extenders, spacers, Extension Plates and Extension Arms to fit virtually any plasma model. Universal bracket shall be compatible with all SMS Flatscreen Ceiling Mounts.

**Plasma-specific Bracket:** shall be provided for any plasma display over 50" diagonal and over 100 lbs. Bracket shall be of steel, with anodized aluminum finish, and shall feature keystone-shaped mounting panel which will slide into steel mating bracket on all SMS Flatscreen Ceiling Mounts for easy, safe, and sturdy mounting. Hardware for attaching bracket to plasma display provided by Draper. Bracket shall be compatible with all SMS Flatscreen Ceiling Mounts for Plasma Displays.

**CH VST2:** Ceiling support to be steel pipe style with anodized aluminum finish. Column shall allow up to 24" of vertical adjustability in 4" increments. Unit shall allow 25° of tilt and 360° rotation, and feature safety screws to keep plasma display in place. Column has built-in cable management system. Mounting hardware by others. Will accommodate virtually any display up to 165 pounds.

**CH ST400:** Ceiling Support to be extruded aluminum pillar, with anodized aluminum finish. Pillar shall be securely attached to mounting surface using steel mounting plate. Steel tilting mechanism shall feature mating bracket to accept mounting panel of Draper's keystone-shaped sliding mounting bracket. Unit shall allow 15° tilt and 360° rotation, and feature safety screws to keep plasma display in place. Discrete cable track shall be located on side of support pillar. Mounting hardware by others. Will accommodate virtually any display up to 325 pounds (total weight).

**CH STD400:** Same as CH ST400 but accommodates two displays back to back.

**CH ST1150:** Ceiling Support shall be extruded aluminum pillar, with anodized aluminum finish. Pillar shall be securely attached to mounting surface using steel mounting plate. Steel tilting mechanism shall feature steel mating bracket to accept mounting panel of Draper's keystone-shaped sliding mounting bracket. Unit shall allow 15° tilt, and 360° rotation, and feature safety screws to keep plasma display in place. Discrete cable track shall be located above side arms on side of support pillar. Mounting hardware by others. Will accommodate virtually any display up to 325 pounds (total of all displays).

**CH STD1150:** Same as CH ST1150 but accommodates two displays back to back.

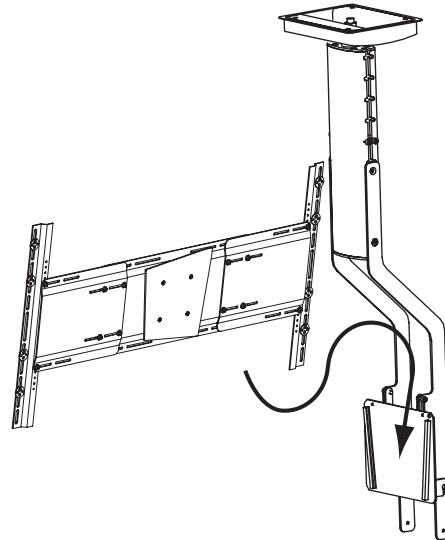
**CFH ST3000:** Ceiling/Floor Support shall be extruded aluminum pillar, with anodized aluminum finish. Pillar shall be securely attached to ceiling and floor using two steel mounting plates. Steel tilting mechanism shall feature mating bracket to accept keystone-shaped mounting panel of Draper's sliding mounting bracket. Up to three monitors can be mounted horizontally; up to two can be mounted vertically. Unit shall allow 15° tilt (except when more than one display is mounted) and 360° rotation, and feature safety screws to keep plasma display in place. Discrete cable track shall be located on side of support pillar. Mounting hardware by others. Will accommodate virtually any display up to 660 pounds (total weight of all displays).

**CH VST:** Ceiling Supports shall be steel, with anodized aluminum finish. Supports shall be securely attached to mounting surface using steel mounting plate. Steel adapter plate shall allow 15° tilt and 360° rotation, and shall feature mating bracket to accept mounting panel of Draper's keystone-shaped sliding mounting bracket. Unit shall feature safety screws to keep plasma display in place. Mounting hardware provided by others. For suspended ceilings and higher structural ceilings, side supports shall be attached to adjustable steel column to allow height adjustment according to installation requirements.

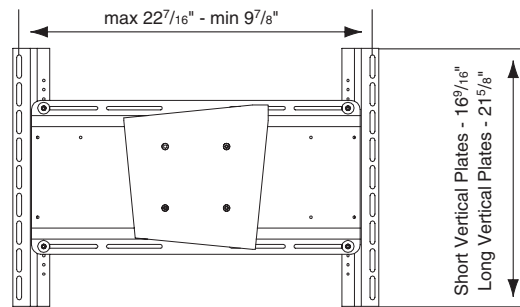
Will accommodate virtually any display up to 165 pounds.

**Options:** Universal Plasma Bracket fits plasma displays through 50" diagonal. Shelves for mounting DVD, VCR, videoconferencing camera or other accessories above or below plasma display optionally available with CH ST1150 & CFH ST3000. Available in grey or black. Shelves can be raised or lowered in 2" increments. SMS Security Lock Kit allows plasma displays to be secured to SMS Flatscreen Ceiling Mount; kit includes adhesive pad, (2) loopers, 6' cable and key lock. SMS FPD Adapter allows you to use plasma mounts for LCD/TFT flat panel displays.

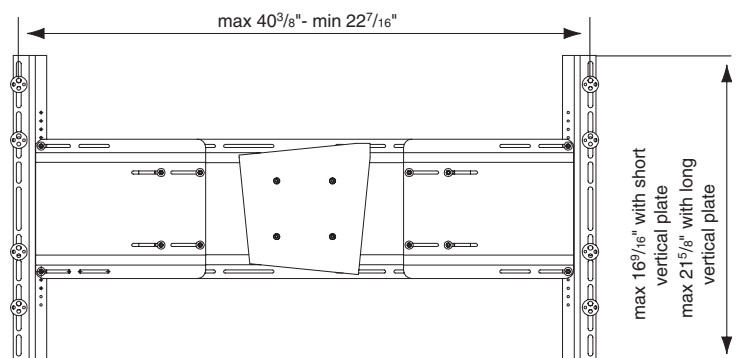
**Exclusive Keystone Mounting Bracket-to-Mount**



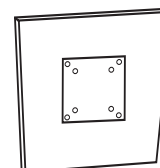
**Universal Plasma Bracket—With Extensions**



**SMS Universal Plasma Bracket—Without Extensions**



**FPD Adapter (for mounting Flat Panel Displays)**

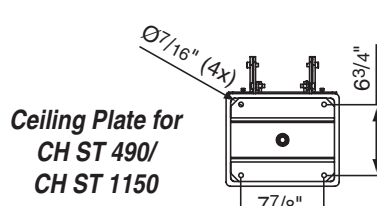
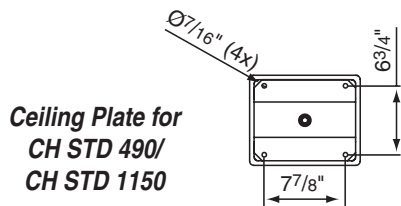
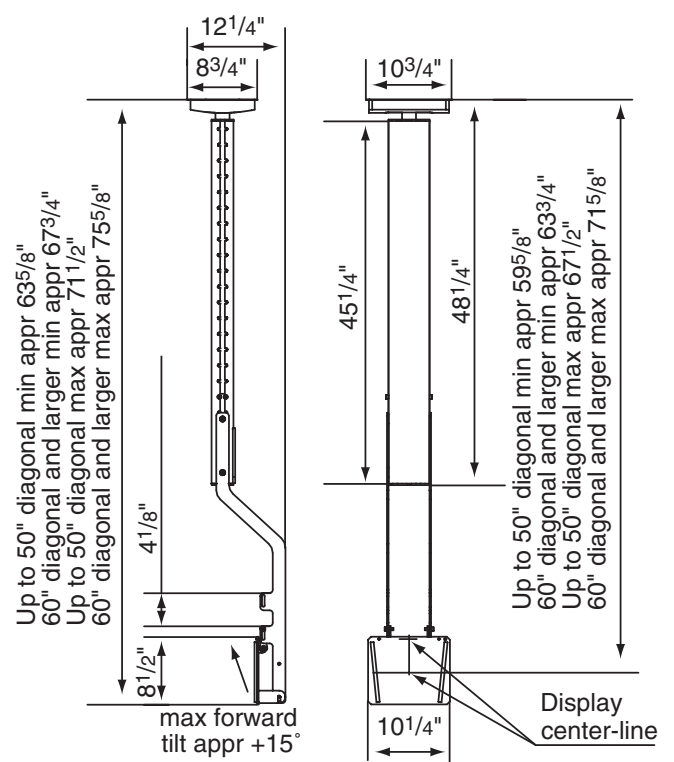
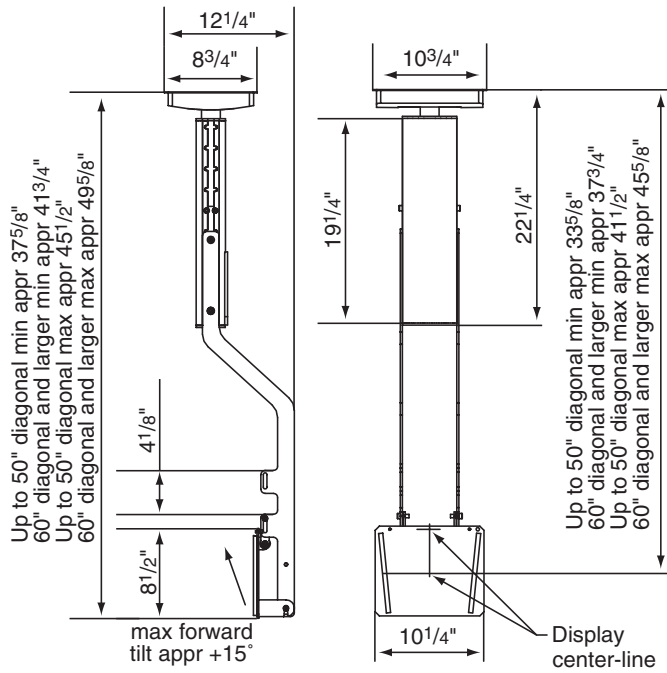


Downloadable 3-part specifications are available at [www.draperinc.com](http://www.draperinc.com).

Dimensions

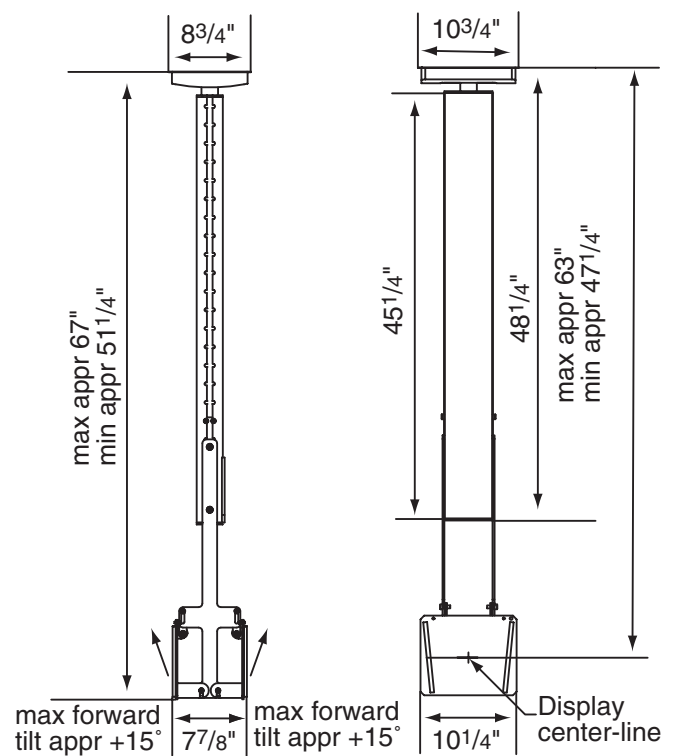
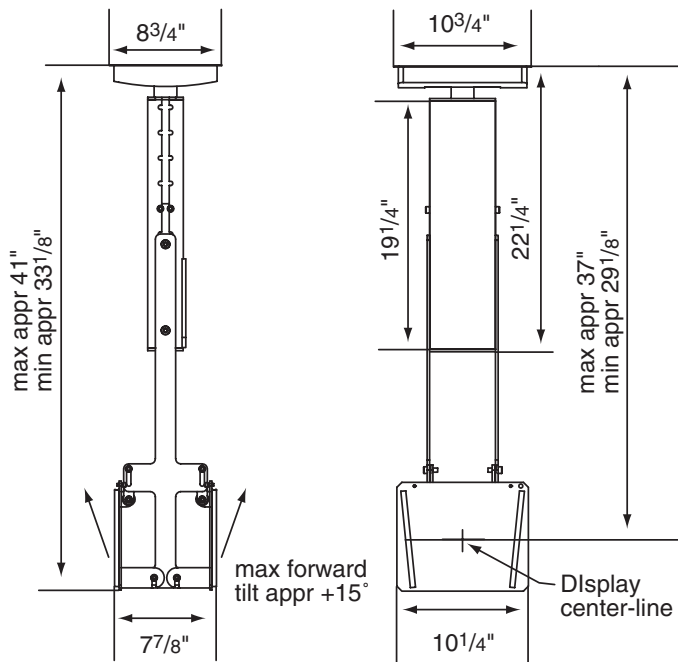
CH ST 490

CH ST 1150



CH STD 490

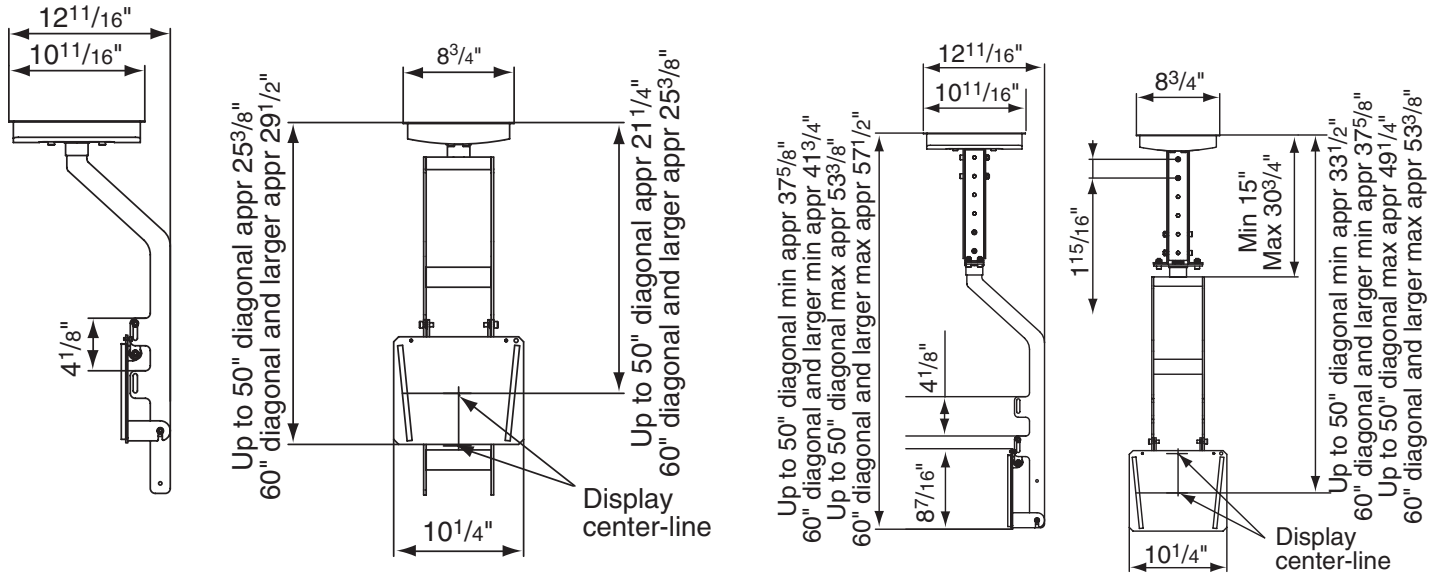
CH STD 1150



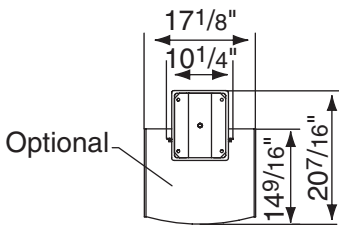
**Dimensions**

*Without Upper Extension Bracket for structural ceiling*

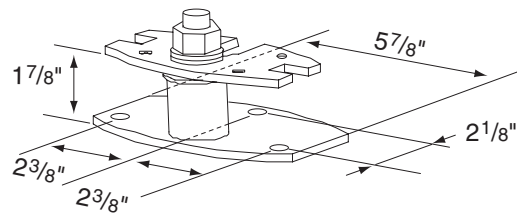
**CH VST** *With Upper Extension Bracket for suspended or high ceilings*



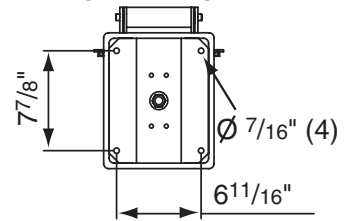
**Ceiling Mounting Plate and Optional Shelf for CFHST 3000**



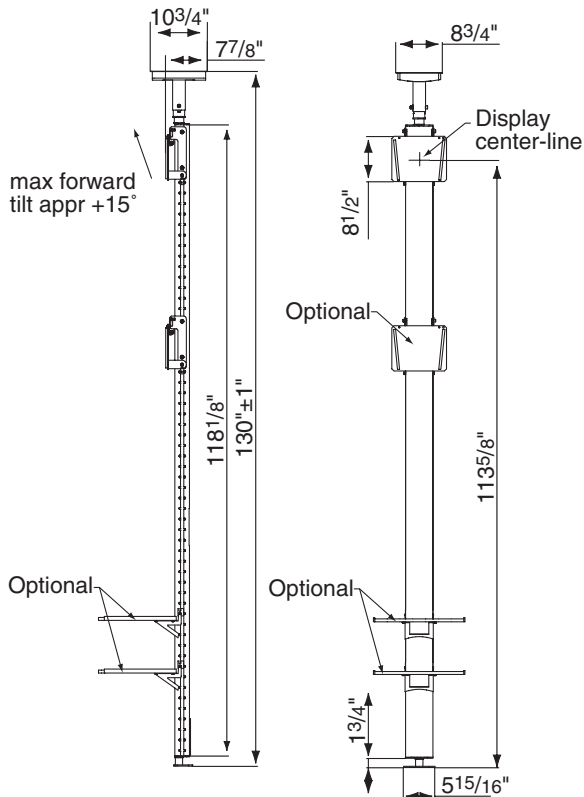
**Floor Mounting Plate for CFH ST3000**



**CH VST and CH VST2 Ceiling Mounting Plate**



**CFH ST3000**



**CH VST2**

