

Orbiter

Specifications—Orbiter

Orbiter video projector lifts. Select (Model A/Model B). Quiet 12V DC motor with adjustable limits. Double-pole, double-throw wall switch is standard, other control options available. Designed to be ceiling recessed. Can be installed on an angle, up to 90°. When activated, trapdoor flips, bringing the projector into the room. Factory set limit switches automatically stop travel at open and closed positions. Ceiling Panel finished white. Universal Projector Mounting Plate suits most projectors. Suits most projectors up to 26 lbs. Tilt, yaw and pan adjustments available—projector sits flush with ceiling. Maximum projector width is 17" for Model A, 20⁷/₈" for Model B. Suits base mounted projectors only.

Please Note: The Orbiter should be specified in conjunction with a Draper video format motorized screen.

Please Mark Appropriate Selections

Select Orbiter Model

- Model A How many? _____
 Model B How many? _____

Select Optional Accessories

- Optional Plenum
 Optional Angled Ceiling Adapter
 Optional ceiling access door to facilitate easier access after installation
 Ceiling access door, white painted finish
 Ceiling access door, accepts ceiling tile

Select Control Options:

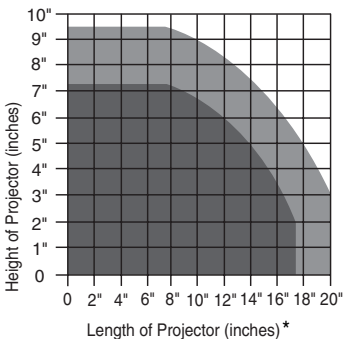
Please Note: This Draper motorized mount comes with one double-pole, double-throw wall switch (silver wall plate with black rocker).

- ___ Total number of wall switches (switches operate independently)
 DC Motor Control (required for IR/RF/Serial/Network)*
 Radio Frequency Remote Control* How many? _____
 Optional 3-Button Up-Stop-Down Switch* How many? _____
 Infrared Remote Control* How many? _____
 Optional 3-Button Up-Stop-Down Switch* How many? _____
 R2D7 for Serial Communication*
 Optional 3-Button Up-Stop-Down Switch* How many? _____
 LS-100 for Network Communication*
 Optional 3-Button Up-Stop-Down Switch* How many? _____

** Please Note: If unit is being operated using RF, IR, RS232 or Ethernet, but you still wish to have a wall switch, the standard double pole, double throw switch provided with the lift will not work. You must use the optional three-button up-stop-down switch.*

Specifications	Model A	Model B
Overall Size (w x l x h)	23" x 25 ⁹ / ₁₆ " x 14"	27" x 29 ¹ / ₂ " x 16"
Overall Size with plenum	23" x 28 ⁵ / ₈ " x 14"	27" x 32 ⁹ / ₁₆ " x 16"
*Ceiling Cutout Size (w x l)	18 ⁷ / ₈ " x 20 ³ / ₄ "	22 ³ / ₄ " x 24 ³ / ₄ "
Net Weight of Unit	33 lbs.	37 ¹ / ₂ lbs.
Lifting Capacity	26 lbs.	26 lbs.
Maximum Projector Width	17" *	20 ⁷ / ₈ " *

*After Orbiter is installed in ceiling.

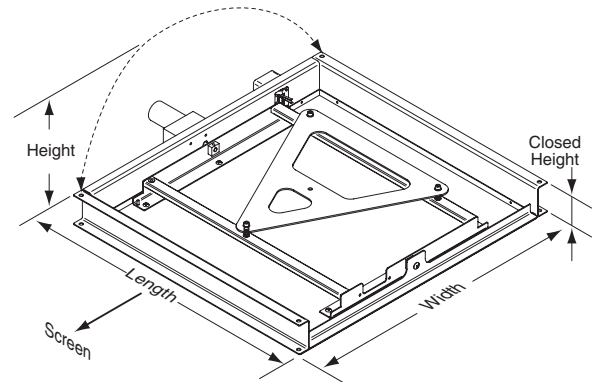


* Room for cable inputs must be considered along with projector width or length.

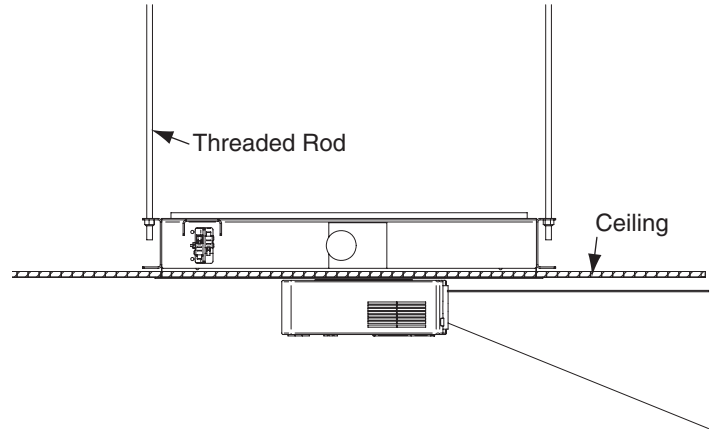
Find the point on the grid where the projector length and projector height **intersect**. If intersection point falls within shaded areas then it is compatible with that size Orbiter. In addition, ensure projector is within width guidelines listed in the above chart.

- A projector will fit into the Orbiter Model A if its dimensions are in the darkest area.
 A projector will fit into the Orbiter Model B if its dimensions are in the lightest shaded area.

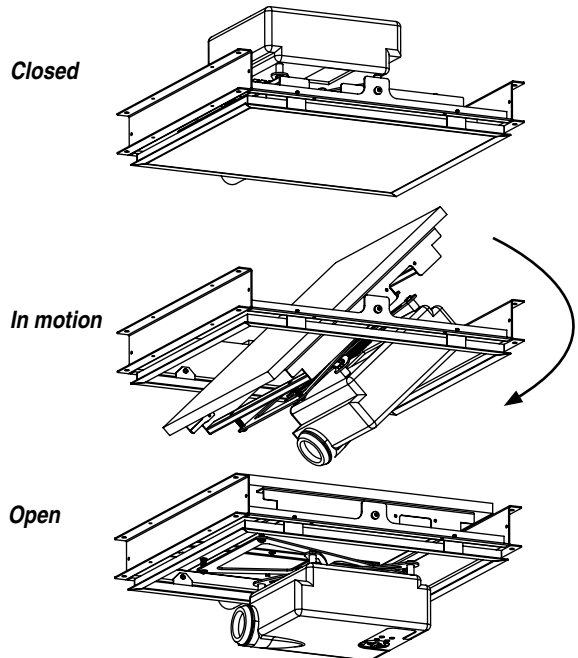
Video Projector Mount Rotates into Room



Orbiter—Dimensions



Orbiter—Operation

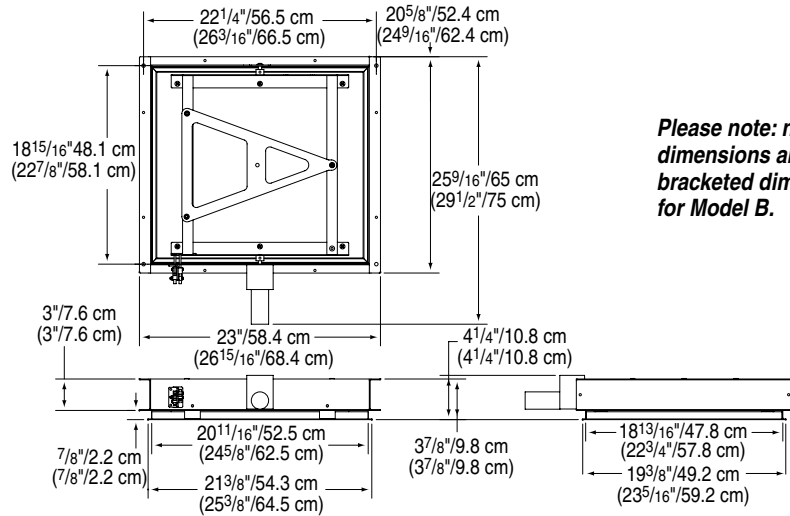


PROJECT: _____

 ARCHITECT: _____
 CONTRACTOR: _____
 SUPPLIER: _____
 DATE: _____ REVISED: _____

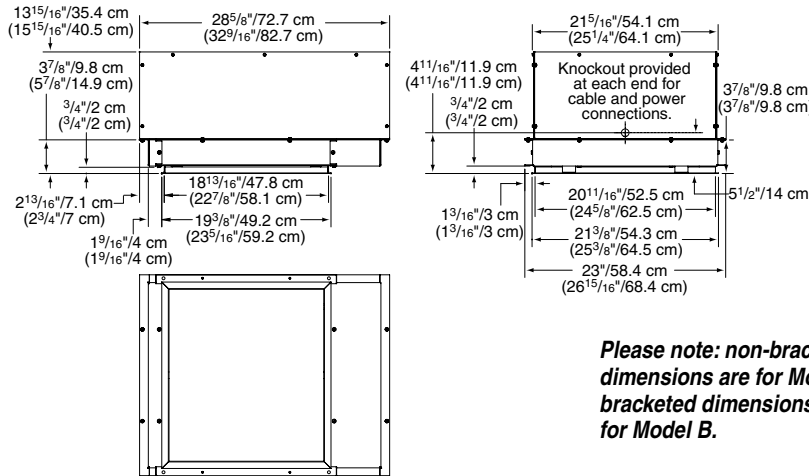


Orbiter—Dimensions



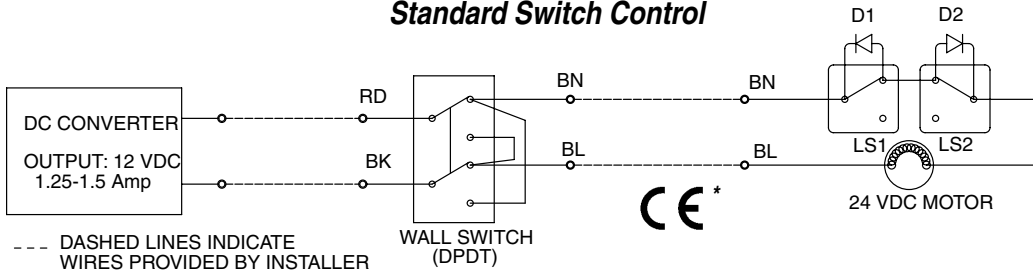
Please note: non-bracketed dimensions are for Model A; bracketed dimensions are for Model B.

Orbiter with Plenum Housing—Dimensions



Please note: non-bracketed dimensions are for Model A; bracketed dimensions are for Model B.

Wiring Diagrams
Standard Switch Control



Please note: CE certification applicable on 220V units only.

Wireless (RF, IR), RS232 and IP Control

