

AeroLift 50/150

Video Projector Lift
with Small Footprint

by **DRAPER**

Specifications—AeroLift 50/150

AeroLift [50/150] video projector lifts. Maximum capacity [50/150] lbs. (including projector, bracket, closure and ceiling material attached to closure). Electrically operated 110-120V, 60 Hz. 3-wire motor, instantly reversible, lifetime lubricated, with internal thermal overload protector and brake. UL approved motor. Designed to be ceiling recessed or surface mounted. Lift to have scissor arm for stabilization. Factory set limit switches automatically stop travel at open and closed positions. Three-position, 110-120V switch to stop or reverse cycle at any point. Maximum vertical drop to be 32". Net weight: AeroLift 50, 28 lbs.; AeroLift 150, 32 lbs.

Options (select as needed):

Plenum housing: Aluminum and steel, for use in return air plenum. For [AeroLift 50/AeroLift 150].

Ceiling closure panel: Finished in white baked textured powder coat, shall descend smoothly with projector. For [AeroLift 50/AeroLift 150].

Ceiling Finish Kit: Finished white. Trims ceiling opening when required. Consists of trim frame and closure panel. For [AeroLift 50/AeroLift 150].

Ceiling Access Door: Provides ceiling access when unit is installed above hard ceiling and access to projector is not convenient. White painted finish.

Please Note: The AeroLift 50 or 150 should be specified in conjunction with a Draper video format motorized screen.

Please Mark Appropriate Selections

Select AeroLift Model

- AeroLift 50
- AeroLift 150

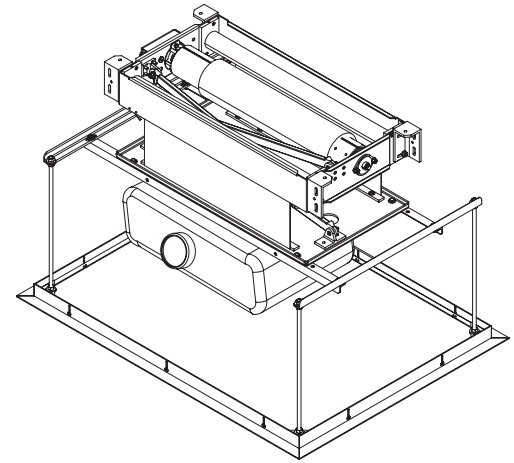
Select Optional Accessories

- Optional plenum housing: Optional ceiling closure panel not included
 - For AeroLift 50
 - For AeroLift 150
- Optional ceiling closure panel
 - For AeroLift 50
 - For AeroLift 150
- Optional ceiling finish kit (ceiling closure panel and trim frame)
 - For AeroLift 50
 - For AeroLift 150
- Optional ceiling access door to facilitate easier projector access
 - Ceiling access door, white painted finish
 - Ceiling access door, accepts ceiling tile

Control Options:

Please Note: This Draper motorized lift comes with one 110V-120V AC 3-position wall switch (silver wall plate with black rocker).

- Total number of 110-120V AC switches (switches operate independently)
- Substitute white switch(es) for silver wall plate with black rocker
- Serial or Network Communication (Please see and complete a Serial and Network Screen and Lift Control Planning Sheet).
- Optional Low Voltage Control Module (LVC-III)
 - 24 Volt 3-Button Switch How many switches? _____
 - Radio Frequency Remote Control (only with 24V)
 - Infrared Remote Control (only with 24V)
- Optional Key Operated Switch
 - Power Supply Key Switch (On-off)
 - 3-Position Key Control
 - 3-Position Switch with Hinged Key-Locking Coverplate
- Optional Video Interface Control
 - VIC-115 (not compatible with LVC-III) Override Switch
 - VIC-12 (not compatible with LVC-III) Override Switch
 - VIC-6 (not compatible with LVC-III) Override Switch



Dimensions & Data	AeroLift 50	AeroLift 150
Height of lift in closed position ¹	6¼"	6¼"
Maximum Overall lift dimensions (W x L)	28¼" x 15"	31¼" x 15 ⁷ / ₈ "
Ceiling opening (with closure)	29½" x 29½"	29" x 39½"
Optional plenum housing (W x L)	30½" x 29 ³ / ₈ "	31¾" x 39 ⁵ / ₈ "
Max. projector size (W x L) ²	18¾" x 25½" x h.	24¾" x 35" x h.
Max. down travel	32"	32"
Approx. travel time to lowest position	23 sec.	23 sec.
Total Capacity (lbs.) ³	50	150
Net weight of lift (lbs.) ⁴	28	32
Amperes	1.2	1.2

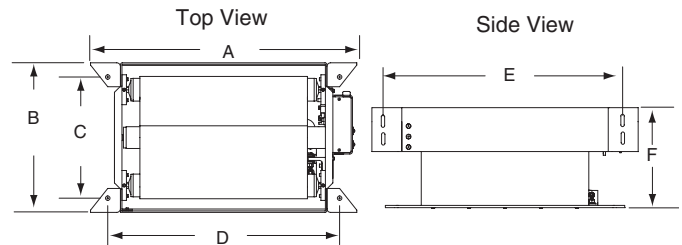
¹ Not including projector, bracket, plenum or closure.

² AeroLift 50 Max. available projector/mount height (with plenum): 18½".
AeroLift 50 Min. available projector/mount height (with plenum): 16½".
AeroLift 150 Max. available projector/mount height (with plenum): 20½".
AeroLift 150 Min. available projector/mount height (with plenum): 18½".

³ AeroLift 50 closure & angle brackets weigh 7.5 lbs. AeroLift 150 closure & angle brackets weigh 10 lbs.

⁴ Unit Only: Does Not include projector, bracket, plenum or closure.

AeroLift 50/150—Dimensions



Lift	A	B	C	D	E	F
AeroLift 50	28¼"	15"-13½"	10¾"-12¼"	26½"	26¾"	6¼"-38¼"
AeroLift 150	31¼"	14 ³ / ₈ "-17 ⁷ / ₈ "	11 ⁵ / ₈ "-13 ¹ / ₈ "	29½"	29¾"	6¼"-38¼"

DRAPER

411 S. Pearl St., Spiceland, IN 47385 USA ■ 765-987-7999 ■ fax 765-987-7142

e-mail draper@draperinc.com ■ www.draperinc.com

Copyright © 2007 Draper Inc. Form AeroLift50-150_Sub07

Printed in U.S.A.

PROJECT: _____

ARCHITECT: _____

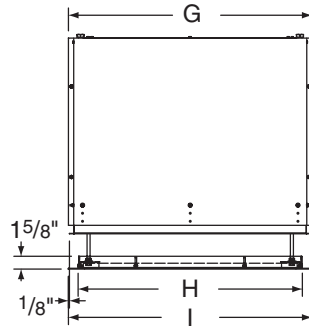
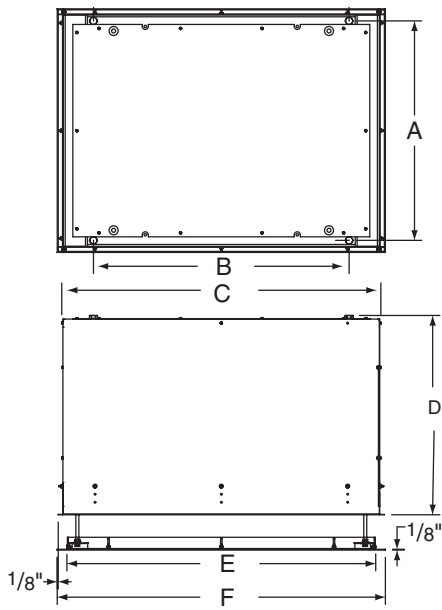
CONTRACTOR: _____

SUPPLIER: _____

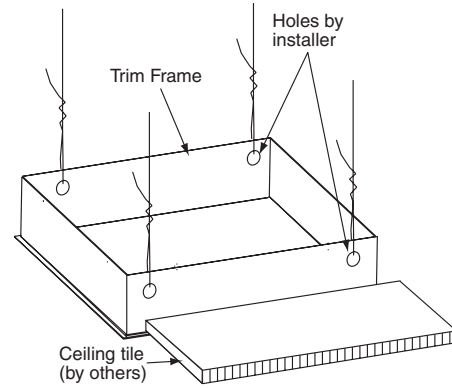
DATE: _____ REVISED: _____

Dimensions—AeroLift 50/150 with Plenum and Closure

Lift	A	B	C	D	E	F	G	H	I
AeroLift 50	27½"	22 ⁵ / ₈ "	29 ³ / ₈ "	22 ³ / ₄ "-24 ³ / ₄ "	28 ³ / ₈ "	30 ³ / ₄ "	30½"	28 ³ / ₈ "	30 ³ / ₄ "
AeroLift 150	27¼"	31 ³ / ₄ "	39 ⁵ / ₈ "	24 ³ / ₄ "-26 ³ / ₄ "	38 ³ / ₈ "	40 ³ / ₄ "	30¼"	27 ⁷ / ₈ "	30¼"

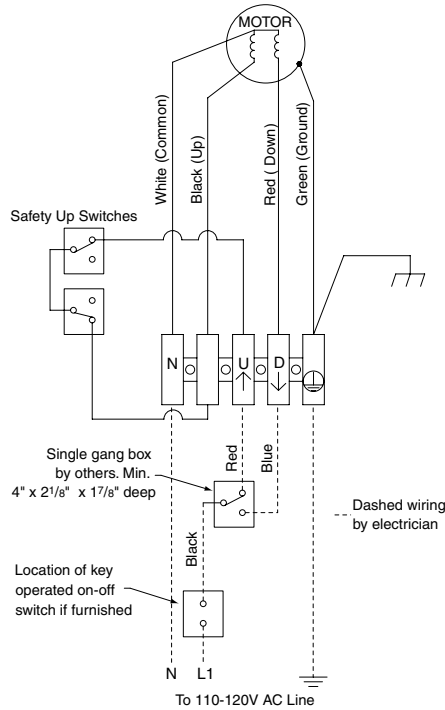


Ceiling Finish Kit

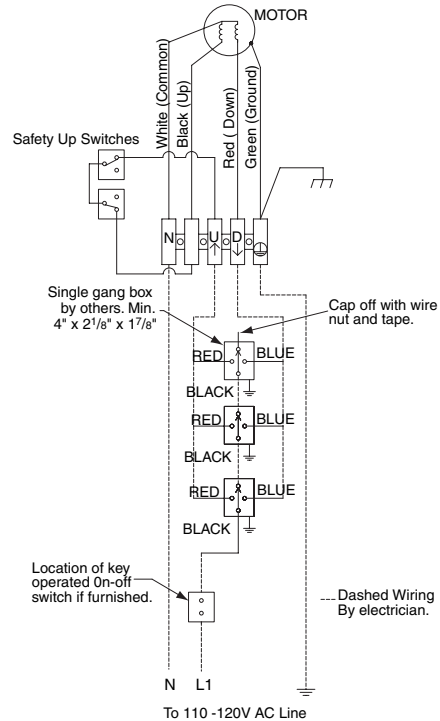


Wiring Diagrams

Single Station Control



Multiple Station Control



Low Voltage Control

