

AeroLift 25

Specifications—AeroLift 25

AeroLift 25 video projector lifts. Maximum capacity 25 lbs. (including projector, bracket, closure and ceiling material attached to closure). Electrically operated 110-120V, 60 Hz. 3-wire motor, instantly reversible, lifetime lubricated, with internal thermal overload protector and brake. UL approved motor. Designed to be ceiling recessed or surface mounted to fit within a standard 2" x 10" beam, 16" on center, ceiling joist pocket. Lift to have scissor arm for stabilization. Factory set limit switches automatically stop travel at open and closed positions. Three-position, 110-120V switch to stop or reverse cycle at any point. Maximum vertical drop to be 20". Net weight 20 lbs.

Options (select as needed):

Environmental Air Space housing: Aluminum and steel, for use in environmental air space. Choose from two sizes: [Small (14⁹/₁₆" x 23⁷/₈") and [Large (23¹/₂" x 23¹/₂")].

Ceiling closure panel: Finished in white baked textured powdercoat, shall descend smoothly with projector. Choose from two sizes: Choose from two sizes (trim edge to trim edge): [Small (15⁵/₈" x 25") and [Large (25" x 25")]. Small closure weighs 7.5 lbs; large closure and angle brackets weigh 10 lbs.

Ceiling Finish Kit: Finished white. Trims ceiling opening when required. Choose from two sizes: [Small] and [Large]. Consists of trim ring and closure panel.

SMS Low Profile Mount: Mount shall consist of a steel ball joint and Universal Projector Bracket. Mount shall be 2" long, and shall securely attach to lift with steel mounting plate (provided). Installer shall provide mounting hardware. Steel ball joint attaches to the Universal Projector Bracket with twist-lock engagement. Min. overall height of assembled unit shall be 4⁷/₈". Mount shall provide up to 30° roll or pitch adjustment and 360° yaw adjustment at ball joint. Two setscrews lock ball joint in position. Maximum load to be 25 lbs.

Ceiling access door provides ceiling access when unit is installed above hard ceiling and access to projector is not convenient.

Please Note: The AeroLift 25 should be specified in conjunction with a Draper video format motorized screen.

Please Mark Appropriate Selections

Select Optional Accessories

- Optional SMS Low Profile Mount with Universal Projector Bracket
- Optional Environmental Air Space Housing: Optional ceiling closure panel not included
 - Small
 - Large
- Optional ceiling closure panel
 - Small
 - Large
- Optional ceiling finish kit (closure panel and trim ring)
 - Small
 - Large
- Optional ceiling access door to facilitate easier projector access
 - Ceiling access door, white painted finish
 - Ceiling access door, accepts ceiling tile

Control Options:

Please Note: This Draper motorized lift comes with one 110V-120V AC 3-position wall switch (silver wall plate with black rocker).

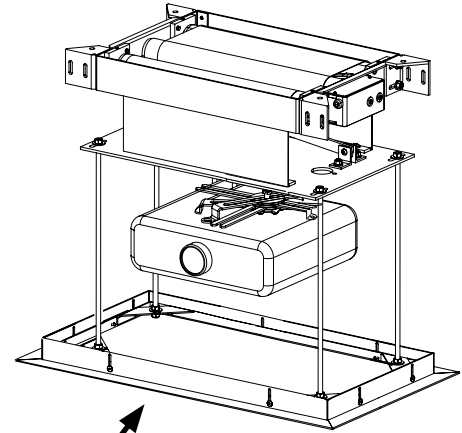
- Total number of 110-120V AC switches (switches operate independently)
- Substitute white switch(es) for silver wall plate with black rocker
- Serial or Network Communication (Please see and complete a Serial and Network Screen and Lift Control Planning Sheet).
- Optional Low Voltage Control Module (LVC-III)
 - 24 Volt 3-Button Switch How many switches? _____
 - Radio Frequency Remote Control (only with 24V)
 - Infrared Remote Control (only with 24V)
- Optional Key Operated Switch
 - Power Supply Key Switch (On-off)
 - 3-Position Key Control
 - 3-Position Switch with Hinged Key-Locking Coverplate
- Optional Video Interface Control
 - VIC-115 (not compatible with LVC-III) Override Switch
 - VIC-12 (not compatible with LVC-III) Override Switch
 - VIC-6 (not compatible with LVC-III) Override Switch



411 S. Pearl St., Spiceland, IN 47385 USA ■ 765-987-7999
www.draperinc.com ■ fax 765-987-7142

Copyright © 2008 Draper Inc. Form AeroLift25_Sub08-R Printed in U.S.A.

Video Projector Lift with Small Footprint



AeroLift 25 shown with optional closure

Dimensions & Data	Small	Large
	Closure	Closure
Height of lift in closed position ¹	4"	4"
Maximum Overall lift dimensions (WxL)	22 ¹ / ₄ " x 14"	22 ¹ / ₄ " x 14"
Ceiling opening (with closure)	23 ¹ / ₂ " x 14 ³ / ₈ "	23 ¹ / ₂ " x 23 ¹ / ₂ "
Optional Env. Air Space Housing (WxL) ²	23 ⁷ / ₈ " x 14 ⁹ / ₁₆ "	23 ⁷ / ₈ " x 23 ⁷ / ₈ "
Max. projector size (with closure) (WxL) ³	8 ³ / ₄ " x 18"	18" x 18"
Max. down travel	20"	20"
Approx. travel time to lowest position	14 sec.	14 sec.
Total Capacity (lbs.) ⁴	25	25
Net weight of lift (lbs.) ⁵	20	20
Amperes	1.2	1.2

¹ Not including projector, mount or closure. Optional SMS Low Profile Mount adds 4⁷/₈" to height, including Universal Projector Bracket.

² Maximum Env. Air Space Housing Height: 20⁵/₈". Min. Env. Air Space Housing Height: 12⁵/₈".

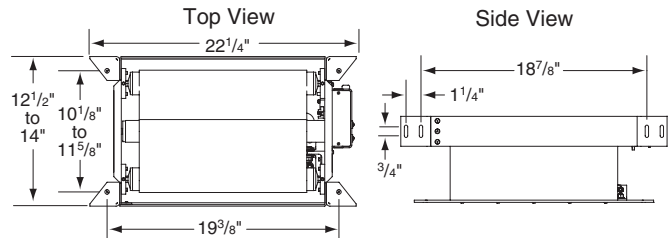
³ Maximum Available Projector/Bracket Height (with Env. Air Space Housing): 15³/₄".

Minimum Available Projector/Bracket Height (with Env. Air Space Housing): 7³/₄".

⁴ Small Closure weighs 7.5 lbs. Large Closure & Angle Brackets weigh 10 lbs.

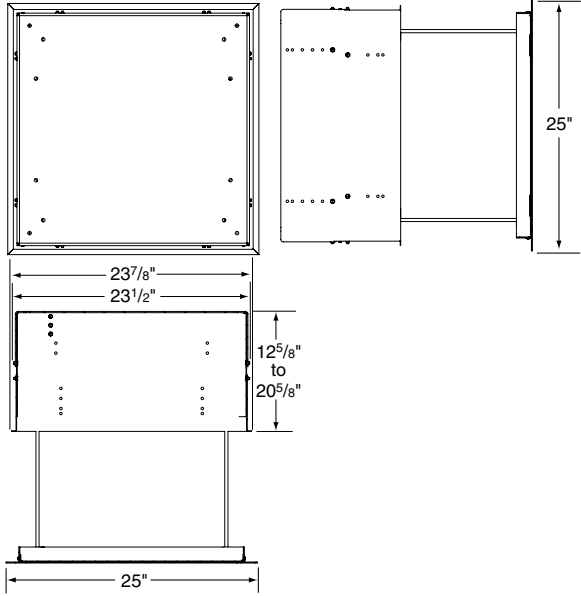
⁵ Unit Only: Does Not include projector, mount, Env. Air Space Housing or closure.

AeroLift 25—Dimensions

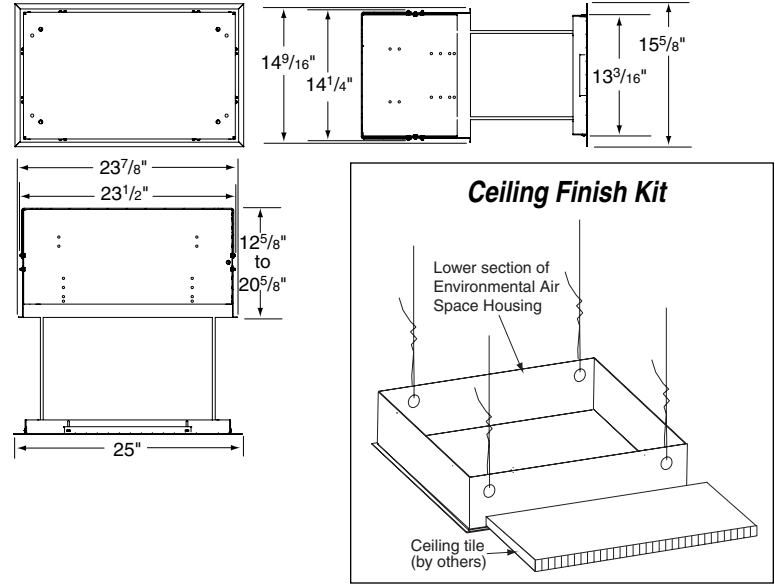


PROJECT:	_____
ARCHITECT:	_____
CONTRACTOR:	_____
SUPPLIER:	_____
DATE:	_____
REVISED:	_____

Dimensions—AeroLift 25 with MPL Environmental Air Space and Closure

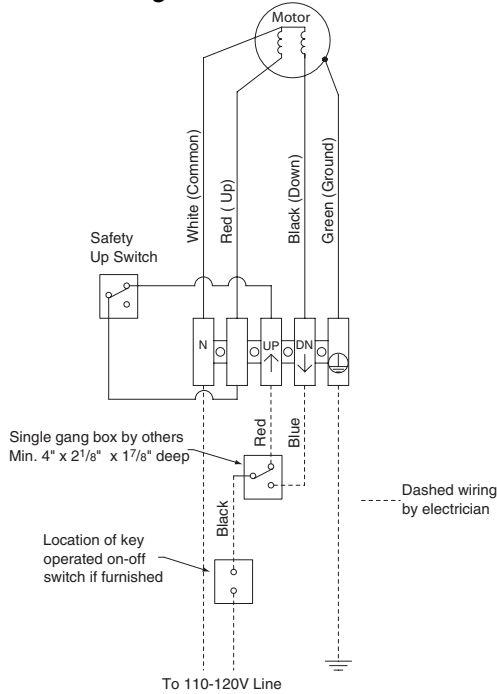


Dimensions—AeroLift 25 with Small Environmental Air Space and Closure

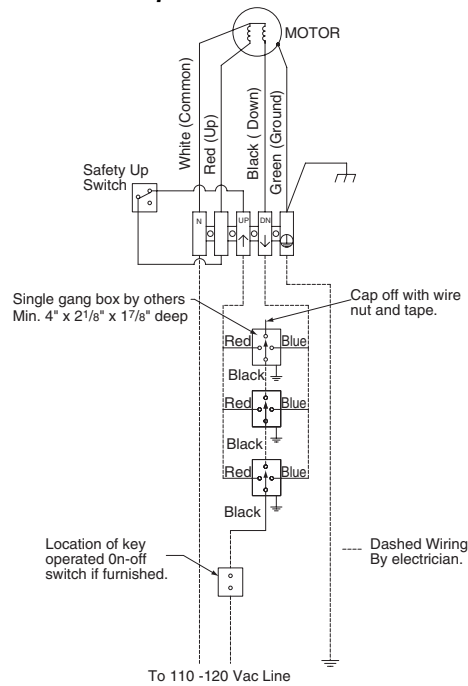


Wiring Diagrams

Single Station Control



Multiple Station Control



Low Voltage Control

