

Accuset Mounts for LCD-DLP Projectors

Please Mark Appropriate Selections

Accuset Low Profile Mount

Accuset Adjustable Mount Kit

Consists of Ceiling Plate, Pipe, Extension Adapter, Bracket Adapter and Universal Projector Bracket.

Select Size Range²:

- | | |
|--|--|
| <input type="checkbox"/> 15 ³ / ₈ " - 17 ³ / ₄ " Qty: _____ | <input type="checkbox"/> 21 ³ / ₈ " - 29 ³ / ₄ " Qty: _____ |
| <input type="checkbox"/> 29 ³ / ₄ " - 46 ³ / ₄ " Qty: _____ | <input type="checkbox"/> 44 ³ / ₄ " - 77 ³ / ₄ " Qty: _____ |
| <input type="checkbox"/> 57 ³ / ₈ " - 101 ³ / ₄ " Qty: _____ | <input type="checkbox"/> 69 ³ / ₈ " - 125 ³ / ₄ " Qty: _____ |
| <input type="checkbox"/> 81 ³ / ₈ " - 149 ³ / ₄ " Qty: _____ | |

Accuset Fixed Extension Mount Kit

Consists of Ceiling Plate, 1¹/₂" Pipe, Bracket Adapter and Universal Projector Bracket.

Select Overall Height²:

- | | |
|---|---|
| <input type="checkbox"/> 14 ¹ / ₂ " Qty: _____ | <input type="checkbox"/> 20 ¹ / ₂ " Qty: _____ |
| <input type="checkbox"/> 26 ¹ / ₂ " Qty: _____ | <input type="checkbox"/> 32 ¹ / ₂ " Qty: _____ |
| <input type="checkbox"/> 44 ¹ / ₂ " Qty: _____ | <input type="checkbox"/> 56 ¹ / ₂ " Qty: _____ |
| <input type="checkbox"/> 68 ¹ / ₂ " Qty: _____ | <input type="checkbox"/> 80 ¹ / ₂ " Qty: _____ |
| <input type="checkbox"/> 92 ¹ / ₂ " Qty: _____ | <input type="checkbox"/> 104 ¹ / ₂ " Qty: _____ |
| <input type="checkbox"/> 116 ¹ / ₂ " Qty: _____ | <input type="checkbox"/> 128 ¹ / ₂ " Qty: _____ |

Accuset Component Kit

Consists of Ceiling Plate, Bracket Adapter and Universal Projector Bracket. You furnish 1¹/₂" NPT pipe in the required length. Pipe must be threaded on both ends.

Qty: _____

Build Your Own Aero Accuset Kit

Order just the pieces you want.

- Ceiling Plate
- 1¹/₂" Fixed Pipe Section (Ceiling Plate not included)

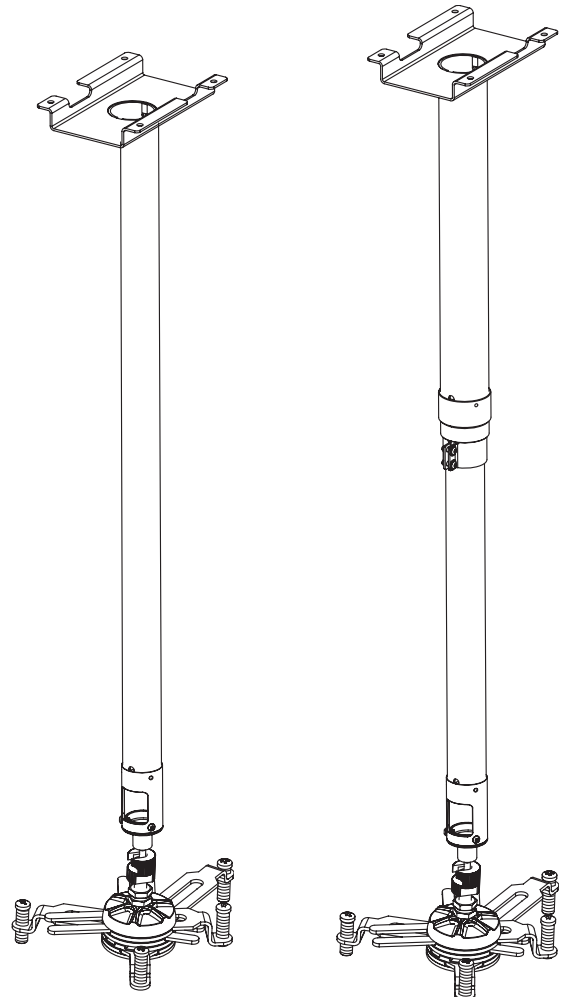
<input type="checkbox"/> 6" Qty: _____	<input type="checkbox"/> 12" Qty: _____
<input type="checkbox"/> 18" Qty: _____	<input type="checkbox"/> 24" Qty: _____
<input type="checkbox"/> 36" Qty: _____	<input type="checkbox"/> 48" Qty: _____
<input type="checkbox"/> 60" Qty: _____	<input type="checkbox"/> 72" Qty: _____
<input type="checkbox"/> 84" Qty: _____	<input type="checkbox"/> 96" Qty: _____
<input type="checkbox"/> 108" Qty: _____	<input type="checkbox"/> 120" Qty: _____
- Adjustable Pipe Sections (Ceiling Plate and Extension Adapter included)

<input type="checkbox"/> 7 ³ / ₈ " - 10 ³ / ₈ " Qty: _____	<input type="checkbox"/> 13 ³ / ₈ " - 22 ³ / ₈ " Qty: _____
<input type="checkbox"/> 22" - 39 ¹ / ₂ " Qty: _____	<input type="checkbox"/> 37 ³ / ₈ " - 70 ³ / ₈ " Qty: _____
<input type="checkbox"/> 49 ³ / ₈ " - 94 ³ / ₈ " Qty: _____	<input type="checkbox"/> 61 ³ / ₈ " - 118 ³ / ₈ " Qty: _____
<input type="checkbox"/> 73 ³ / ₈ " - 142 ³ / ₈ " Qty: _____	
- Bracket Adapter Qty: _____
- Extension Adapter Qty: _____
- Universal Projector Bracket Qty: _____

Options

- Angled Ceiling Plate (must be used with ceiling plate) Qty: _____
- Flush Extension (to attach ceiling plate to Bracket Adapter) Qty: _____
- Suspended Ceiling Panel
 - 1¹/₂" Qty: _____
 - 2" Qty: _____
- Low Profile Ceiling Panel (1¹/₂" only) Qty: _____
- Universal Projector Bracket (provided with all pre-made mount kits) Qty: _____
- Chrome Escutcheon Ring Qty: _____
- Security Lock Kit Qty: _____

²Height includes Universal Projector Bracket.



Accuset Fixed Extension

Accuset Adjustable

Projector Manufacturer and Model Number:

PROJECT: _____

ARCHITECT: _____

CONTRACTOR: _____

SUPPLIER: _____

DATE: _____ REVISED: _____



Specifications—Accuset Mounts for LCD/DLP Projectors by Draper

Accuset Mounts for LCD/DLP projectors, by Draper, Inc.

Universal Projector Bracket: shall be provided for any LCD/DLP projector under 26 lbs., with threaded ceiling-mounting holes on bottom of projector. Bracket shall be of steel, with matt black powdercoat finish. Machined steel center column to attach securely to SMS or Accuset ball joint with twist-lock engagement. Short and long arms interchangeable to fit virtually any projector mounting-hole spacing. Infinite adjustment in both horizontal and vertical axes. Must enable installer to simply find and easily secure projector's center of gravity. Universal Projector Bracket to suspend projector from mount. Clamp/shelf type brackets not acceptable. Hardware for attaching bracket to projector provided by Draper—a full set of screws, washers, threaded vertical spacers, and short and long arms to fit virtually any projector model. Universal bracket shall be compatible with all SMS Mounts and Accuset Mounts for LCD/DLP Projectors. Patent pending.

Accuset Adjustable Mount: Consists of 10-gauge cold rolled steel Ceiling Plate; two piece telescoping, schedule-40 steel NPT pipe (2" dia. upper pipe and 1 1/2" dia. lower pipe), threaded and slotted on each end, in choice of seven adjustable ranges; Extension Adapter; Bracket Adapter and Universal Projector Bracket. Mount shall be infinitely adjustable within its specified range. Size ranges to be (15 3/8"-17 3/4") [21 3/8"-29 3/4"] [29 3/4"-46 3/4"] [44 3/4"-77 3/4"] [57 3/4"-101 3/4"] [69 3/8"-125 3/4"] [81 3/8"-149 3/4"]. Telescoping movement of lower pipe shall provide infinite height adjustability. Positive stop shall prevent separation of columns. Extension Adapter shall be used to lock lower column in position. Bracket Adapter shall have steel ball joint to which the Universal Projector Bracket attaches with twist-lock engagement. Steel ball joint shall have up to 30° roll or pitch adjustment and 360° yaw adjustment. Two setscrews shall be used to lock ball joint in position. Lower pipe and Bracket Adapter can be further secured using supplied Torx or security screws. Matt black powdercoat finish. Accuset Adjustable Mount to provide built-in cable management. Maximum load shall be 26 lbs. Installer shall provide mounting hardware appropriate to ceiling conditions.

Accuset Fixed-Extension Mount: Consists of 10-gauge cold rolled steel Ceiling Plate; one piece of 1 1/2" dia., schedule-40 steel NPT pipe, threaded and slotted on each end, in choice of 12 fixed lengths; Bracket Adapter and Universal Projector Bracket. Mount shall have overall fixed length of ([14 1/2"] [20 1/2"] [26 1/2"] [32 1/2"] [44 1/2"] [56 1/2"] [68 1/2"] [80 1/2"] [92 1/2"] [104 1/2"] [116 1/2"] [128 1/2"]). Bracket Adapter shall have steel ball joint to which the Universal Projector Bracket attaches with twist-lock engagement. Steel ball joint shall have up to 30° roll or pitch adjustment and 360° yaw adjustment. Two setscrews shall be used to lock ball joint in position. Pipe and Bracket Adapter can be further secured using supplied Torx or security screws. Matt black powdercoat finish. Accuset Fixed Extension Mount to provide built-in cable management. Maximum load shall be 26 lbs. Installer shall provide mounting hardware appropriate to ceiling conditions.

Accuset Component Kit: Consists of Ceiling Plate, Bracket Adapter and Universal Projector Bracket. Installer to furnish 1 1/2" NPT pipe in required length. Pipe must be threaded on both ends.

Accuset Low Profile Fixed Mount: Ceiling mount shall consist of a steel ball joint and Aero Universal Projector Bracket. Mount shall be 2" long, and shall securely attach to ceiling with steel mounting plate (provided). Installer shall provide mounting hardware appropriate to ceiling conditions. Steel ball joint attaches to the Aero Universal Projector Bracket with twist-lock engagement. Min. overall height of assembled unit shall be 4 7/8". Mount shall provide up to 30° roll or pitch adjustment and 360° yaw adjustment at ball joint. Two setscrews lock ball joint in position. Maximum load to be 26 lbs.

Optional Accessories:

Angled Ceiling Plate: 8" x 6" x 2" (W x L x H) 10-gauge cold rolled steel plate attaches to vaulted or angled ceilings. Matt black powdercoat finish. Max. load 26 lbs. Adjusts from 0-25° allowing the projector to remain level. Must be used with Accuset Ceiling Plate.

Flush Extension: 1 1/2" long x 1 1/2" dia. steel NPT pipe, threaded the entire length. For fixed mounting projector close to the ceiling. Connect one end

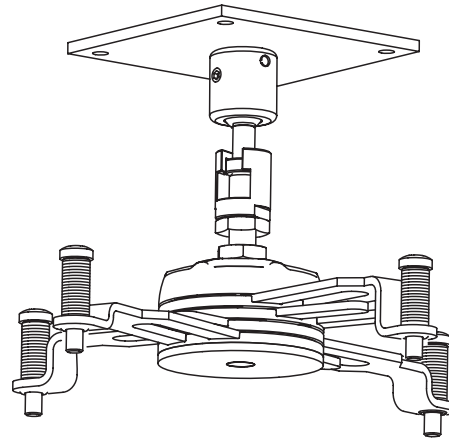
to Accuset Ceiling Plate and the other to a Bracket Adapter and Universal Projector Bracket. Max. load 26 lbs.

Accuset Suspended-Ceiling Panel: 23 3/4" x 23 3/4" 16-gauge cold rolled steel panel, finished white, with threaded collar for attaching threaded pipe or Flush Extension (provided) and adjustable collar to allow a 10" range of left-to-right or front-to-back projector adjustment, depending on orientation of panel. Knockouts provided for electrical wiring; knockouts fit standard j-box cover plate. Four turnbuckles and four 50" lengths of 62/1000 steel wire provided for suspending panel. Max. load 26 lbs.

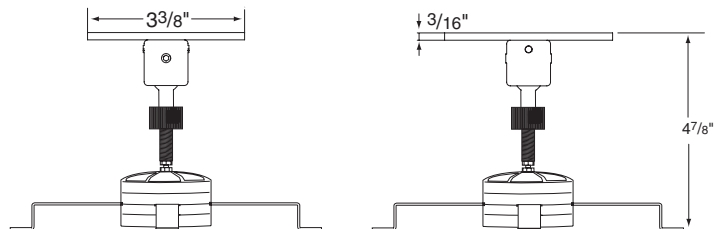
Accuset Low Profile Suspended-Ceiling Panel: Same as Suspended-Ceiling Panel (above), but with ball joint and Universal Projector Bracket. Max. load 26 lbs.

Please Note: Accuset Mount accessories will work with schedule 40 steel pipe, but not schedule 80 steel pipe.

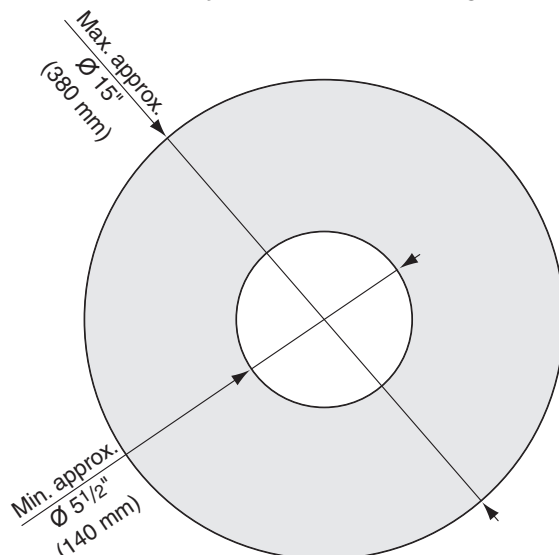
Accuset Low Profile Projector Mount with Universal Projector Bracket



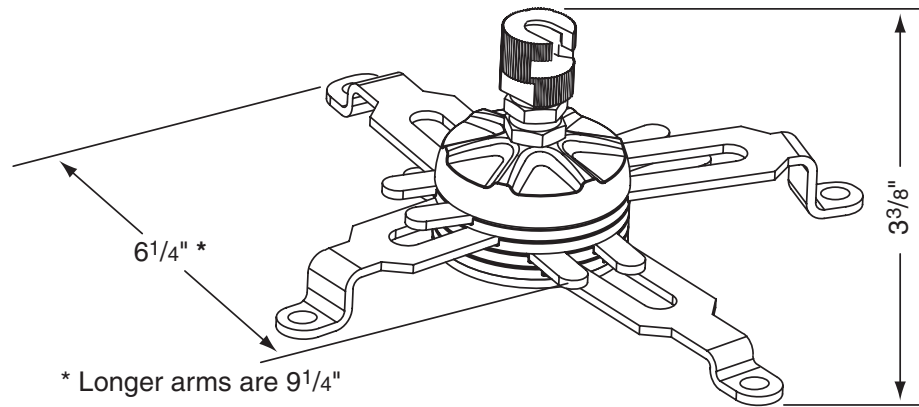
Accuset Low Profile Projector Mount Dimensions with Universal Projector Bracket



Universal Projector Bracket Coverage Area

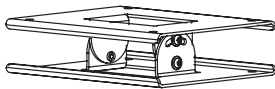


Universal Projector Bracket Dimensions

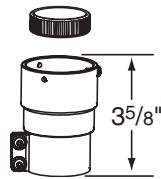


Please Note: This is total height of Universal Projector Bracket. Once attached, Universal Bracket adds a minimum of 3" to overall height.

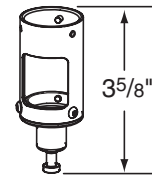
Angled Ceiling Plate



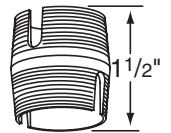
Extension Adapter



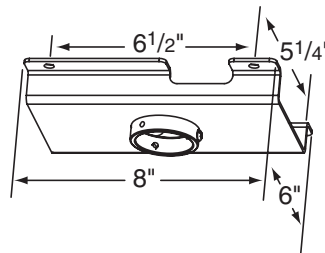
Bracket Adapter



Flush Extension

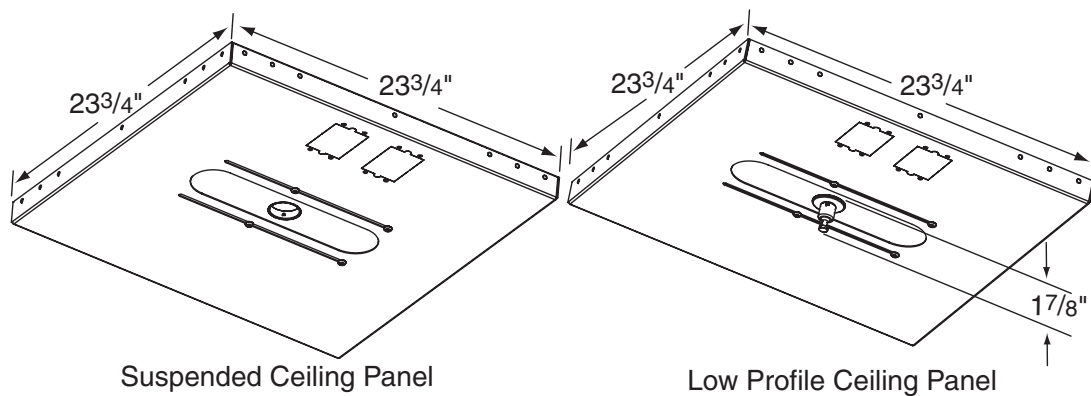


Ceiling Plate Dimensions

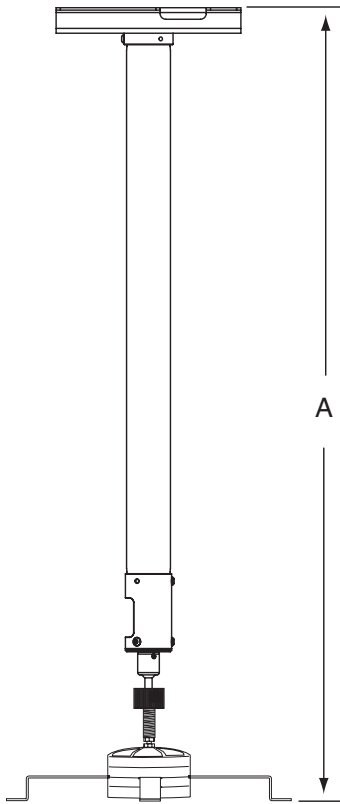


*Available with 1 1/2" or 2" collar.

Ceiling Panel Dimensions



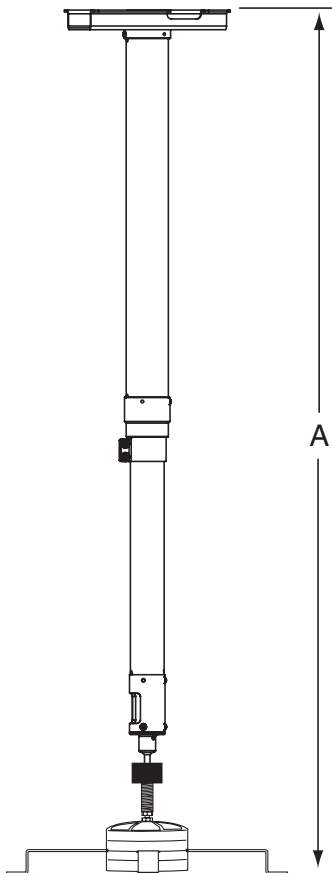
Accuset Fixed Extension Dimensions



A*
14 ¹ / ₂ "
20 ¹ / ₂ "
26 ¹ / ₂ "
32 ¹ / ₂ "
44 ¹ / ₂ "
56 ¹ / ₂ "
68 ¹ / ₂ "
80 ¹ / ₂ "
92 ¹ / ₂ "
104 ¹ / ₂ "
116 ¹ / ₂ "
128 ¹ / ₂ "

**Pipe length may be cut by installer to fit site requirements.*

Accuset Adjustable Dimensions



A=Range of Adjustability
15 ³ / ₈ " - 17 ³ / ₄ "
21 ³ / ₈ " - 29 ³ / ₄ "
29 ³ / ₄ " - 46 ³ / ₄ "
44 ³ / ₄ " - 77 ³ / ₄ "
57 ³ / ₈ " - 101 ³ / ₄ "
69 ³ / ₈ " - 125 ³ / ₄ "
81 ³ / ₈ " - 149 ³ / ₄ "