

Assembly/Installation Instructions

VideoConferencing Camera Box by Draper

Caution

- ① Make sure wall will support weight of camera box and camera.
- ② Before assembling/installing videoconferencing camera box, make sure you have all the pieces.
- ③ Please follow installation guidelines carefully.

- ① Cut rough opening in wall. Rough opening should be 7" X 14³/₄".
Please note: It is the installer's responsibility to ensure the wall material can support the weight of the camera box and the camera.
- ② Assemble five panels using 8-32 Assembly Screws (included) (see Fig. 1).

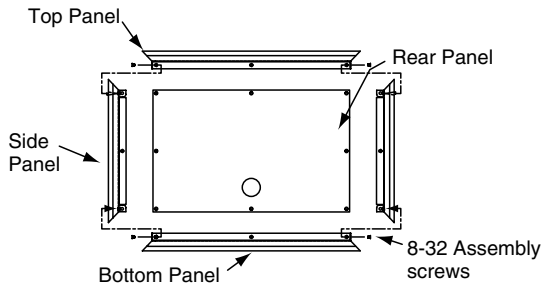


Figure 1

- ③ Place camera box into rough opening and clamp to wall with four "Z" Clamps (see Fig. 2).
Please Note: Camera box is designed to fit between typical stud spacing, and can be attached directly to the studs if desired.

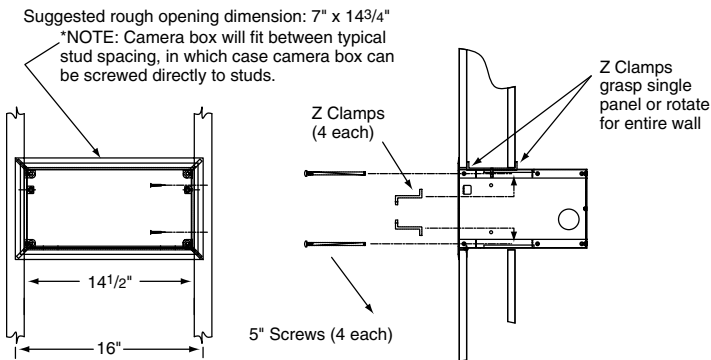


Figure 2

- ④ Fasten two hinges to door, then attach door/hinge assembly to the camera box (see Fig. 3). Hinges should be located on bottom panel, so door will swing down when opened. Door protrudes 9¹/₂" into room when open.

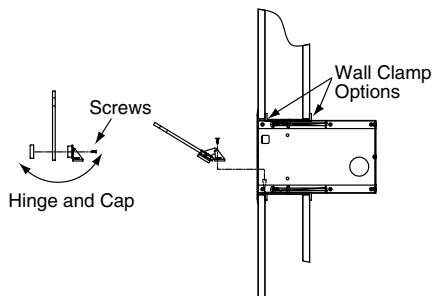


Figure 3

- ⑤ Select and knock out cable entry plug. Dress out hole with cable grommet (see Fig. 4).

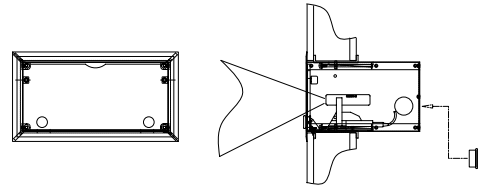


Figure 4

- ⑥ Attach optional lock receptacle with two #8 sheet metal screws (see Fig. 5).

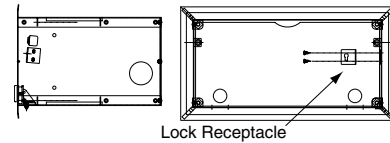


Figure 5

- ⑦ Fasten lock to optional locking door (see Fig. 6).

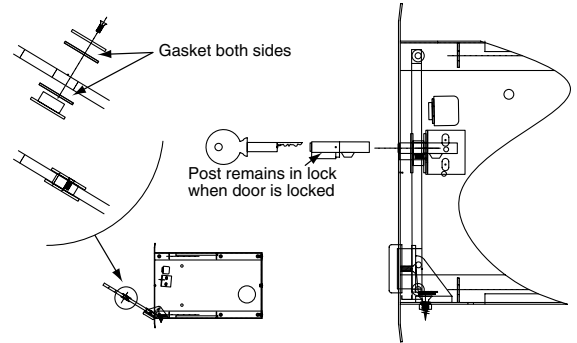
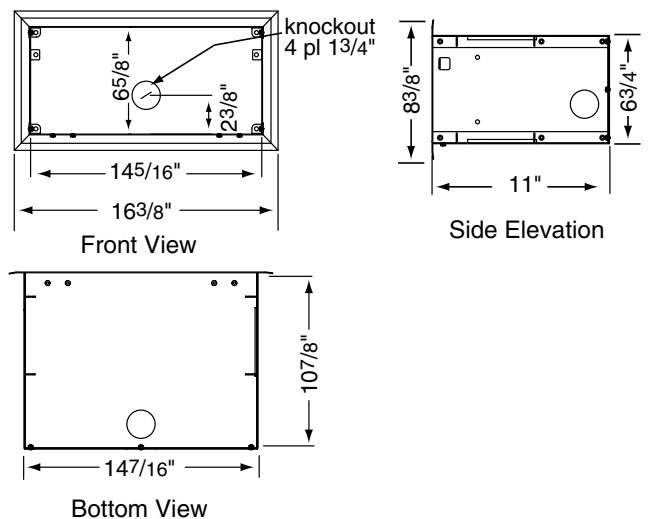


Figure 6

VideoConferencing Camera Box Dimensions



Suggested Rough Opening: 7" x 14³/₄"

