

Installation Instructions

Low Profile Mount for LCD/DLP Projectors by Draper

Caution

- ① Installer must make sure Low Profile Mount for LCD/DLP Projectors is positively and securely attached and appropriate fasteners are used.
- ② Before installing, check to make sure all parts of the mount are there.
- ③ Fasteners for attaching mount to ceiling are not included.
- ④ Make sure all screws and bolts are tightened before allowing Low Profile Mount for LCD/DLP Projectors to bear full weight of projector.
- ⑤ Mount projector before hooking up to electrical and other cables.
- ⑥ When making adjustments, make sure projector is firmly supported.
- ⑦ If using the Low Profile Mount in conjunction with a Draper motorized projector lift, please consult the instructions for your lift model.

Installation

- ① Use mounting plate to mark attachment holes on ceiling, Adaptor Bracket for LCD Lift or Lower Pan of Scissor Lift or Micro Projector Lift. Drill holes and attach mounting plate to ceiling (see Fig. 1).

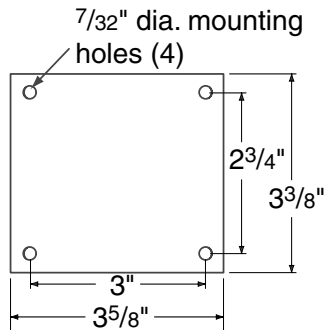


Figure 1

- ② Install Universal Projector Bracket on projector if applicable (see separate instructions; also Fig. 2).

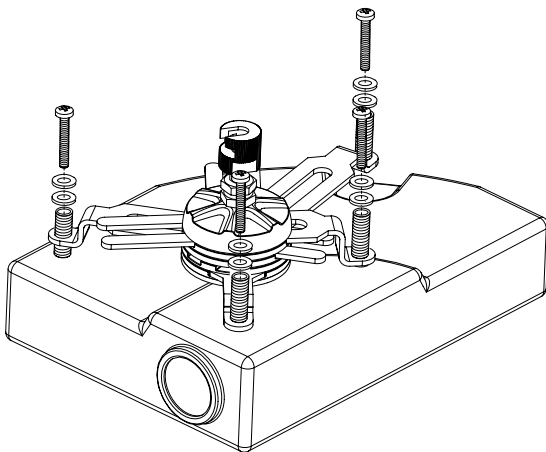


Figure 2

- ③ Attach bracket and projector to column (see separate instructions and Fig. 3).

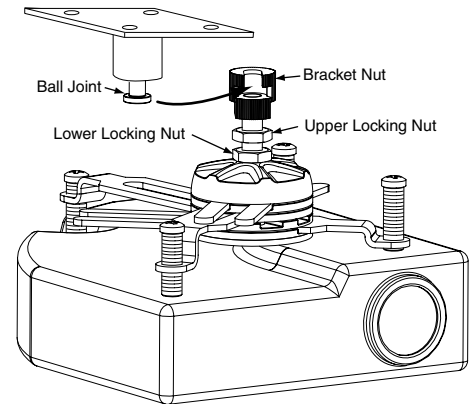


Figure 3

Adjustment

The Low Profile Mount for LCD/DLP Projectors has two set screws for making adjustments (see Fig. 4).

Adjustments can be made with the projector attached to the mount.

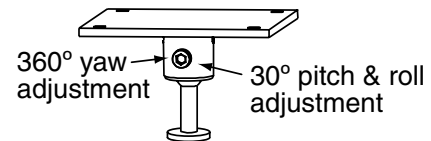
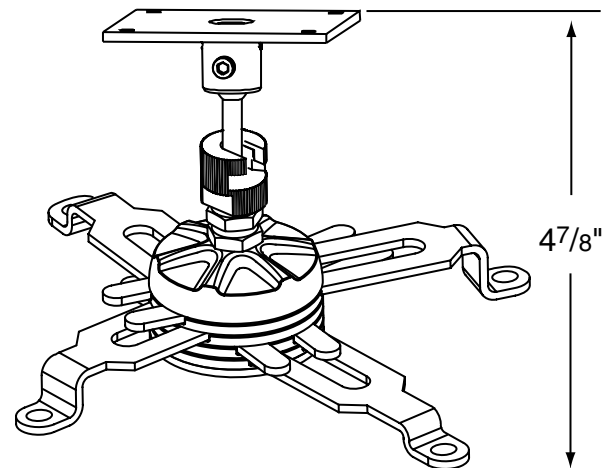


Figure 4

Dimensions with Projector-Specific Bracket



DRAPER

411 S. Pearl St., Spiceland, IN 47385 USA ■ 765-987-7999 ■ fax 765-987-7142
 e-mail draper@draperinc.com ■ www.draperinc.com
 Copyright ©2004 Draper, Inc. Form Aero-LowProfile_Inst04 Printed in U.S.A.

For a complete listing of projectors; compatibility with the Universal Bracket, visit our Web site at www.draperinc.com.

If you encounter any difficulties installing your Low Profile Mount for LCD/DLP Projectors, call your dealer or Draper, Inc., Spiceland, Ind., (765) 987-7999, fax (765) 987-7142, or e-mail draper@draperinc.com.