

Installation Instructions

Accuset Suspended Ceiling Panel for LCD/DLP Projectors by Draper

Caution

- ① Installer must make sure Accuset Suspended Ceiling Panel for LCD/DLP Projectors is positively and securely suspended, and appropriate fasteners are used.
- ② Before installing, check to make sure all parts are there.
- ③ Assembly hardware is included; fasteners for attaching mount to ceiling are not included.
- ④ Make sure all screws and bolts are tightened before allowing Accuset Suspended Ceiling Panel for LCD/DLP Projectors to bear the full weight of the projector.
- ⑤ Mount projector before hooking up to electrical and other cables.
- ⑥ When making adjustments, make sure projector is firmly supported.
- ⑦ Adjustment setscrews require Metric Allen wrench (included).
- ⑧ Assembly screws require Torx Head drive (included).

Installation

- ① Assemble ceiling panel (see Fig. 1). Please note that the insert containing the threaded collar can be installed with the collar closest to either end of the panel, depending on the job requirements.
- ② Screw Outer Column (2" NPT pipe), Fixed Column (1½" NPT pipe) or Flush Extension into Suspended Ceiling Panel (See Fig. 2—Adjustable is shown; also typically for Fixed or Flush Extension).
- ③ For adjustable mounts, attach positive stop to upper end of Inner Column, then slide Inner Column down through Extension Adapter. Tighten Extension Adapter using two 10-32 x 5/8" torx screws and #10 washers.
- ④ For adjustable mounts, install Extension Adapter and Inner Column assembly to Outer Column. Secure with one 10-32 x 5/8" torx screw. For increased security, replace the standard screw with a security screw (provided).
- ⑤ Attach Bracket Adapter and Ball Joint Assembly to Inner or Fixed Column or Flush Extension and secure with provided screw. For increased security, replace the standard screw with a security screw (provided). For additional security, remove the three standard screws holding the Ball Joint in the Bracket Adapter, and replace with provided security screws. For Adjustable mounts, you can also replace the adjustment screws in the Extension Adapter with provided security screws.
- ⑥ Suspend the Suspended Ceiling Panel and mount assembly using wire and turnbuckles (provided). In addition, anchor the panel to the adjoining ceiling tile grid work using two screws per side. This will help stabilize the ceiling panel.
- ⑦ If appropriate, run cabling down through pipe and out through opening in Bracket Adapter. J-box knockouts are also provided in the panel.
- ⑧ Install Universal Projector Bracket on projector if applicable (see separate instructions). Then, attach bracket and projector to Accuset ball joint. Adjust as necessary (see Fig. 3).

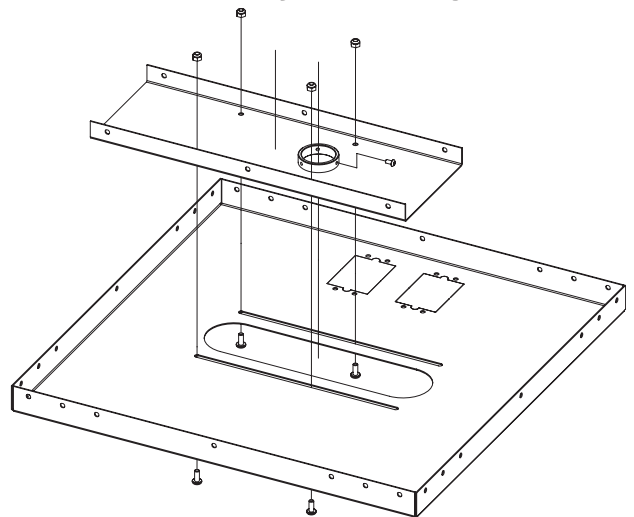
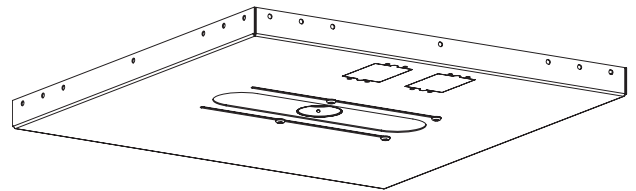


Figure 1



Please note: To adjust height, loosen two adjustment screws in Extension Adapter, retract or extend the inner column, and re-tighten adjustment screws.

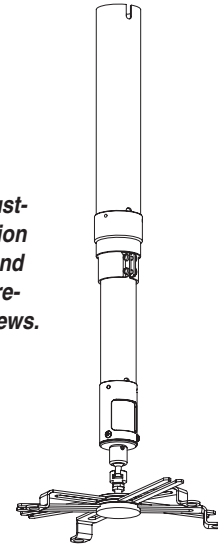


Figure 2

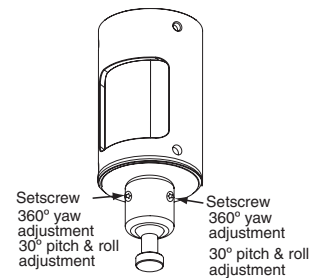


Figure 3

DRAPER

411 S. Pearl St., Spiceland, IN 47385 USA ■ 765-987-7999 ■ fax 765-987-7142
e-mail draper@draperinc.com ■ www.draperinc.com

Copyright ©2006 Draper Inc.

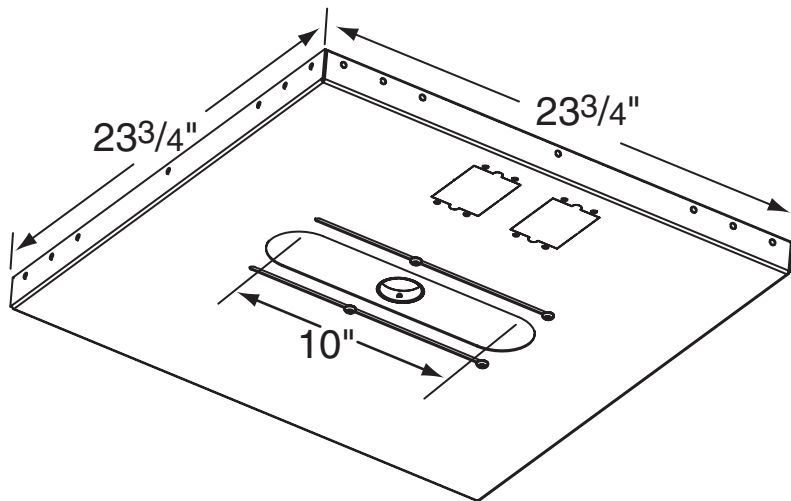
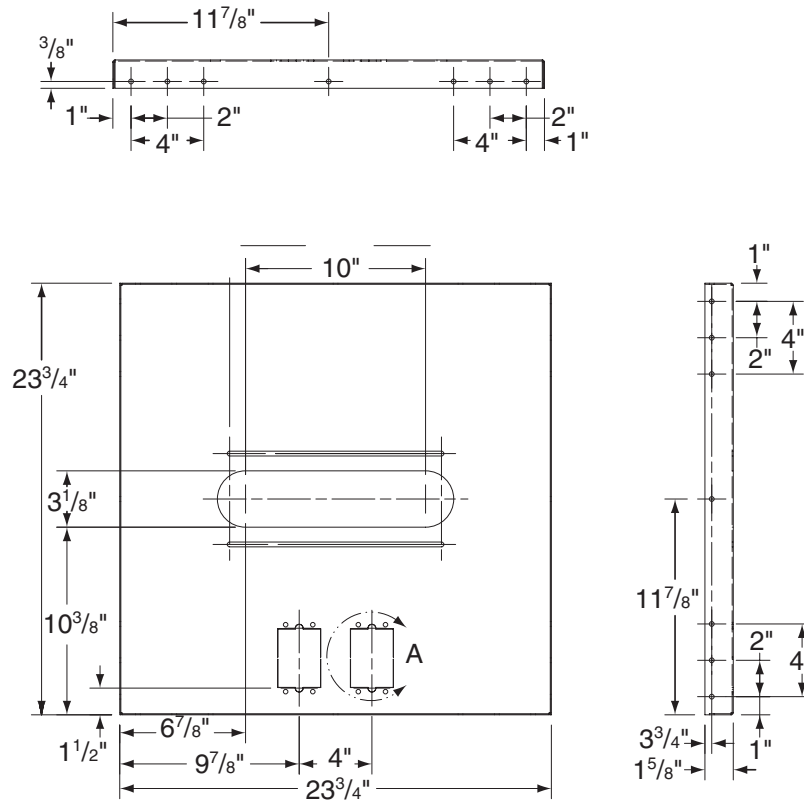
Form AccusetSuspendedPanel_Inst06

Printed in U.S.A.

Continued on Back

If you encounter any difficulty installing or servicing your Accuset Mount for LCD/DLP Projectors, call your dealer or Draper, Inc., Spiceland, Indiana, (765) 987-7999; fax (765) 987-7142; or e-mail draper@draperinc.com.

Dimensions—Accuset Suspended Ceiling Panel



Suspended Ceiling Panel